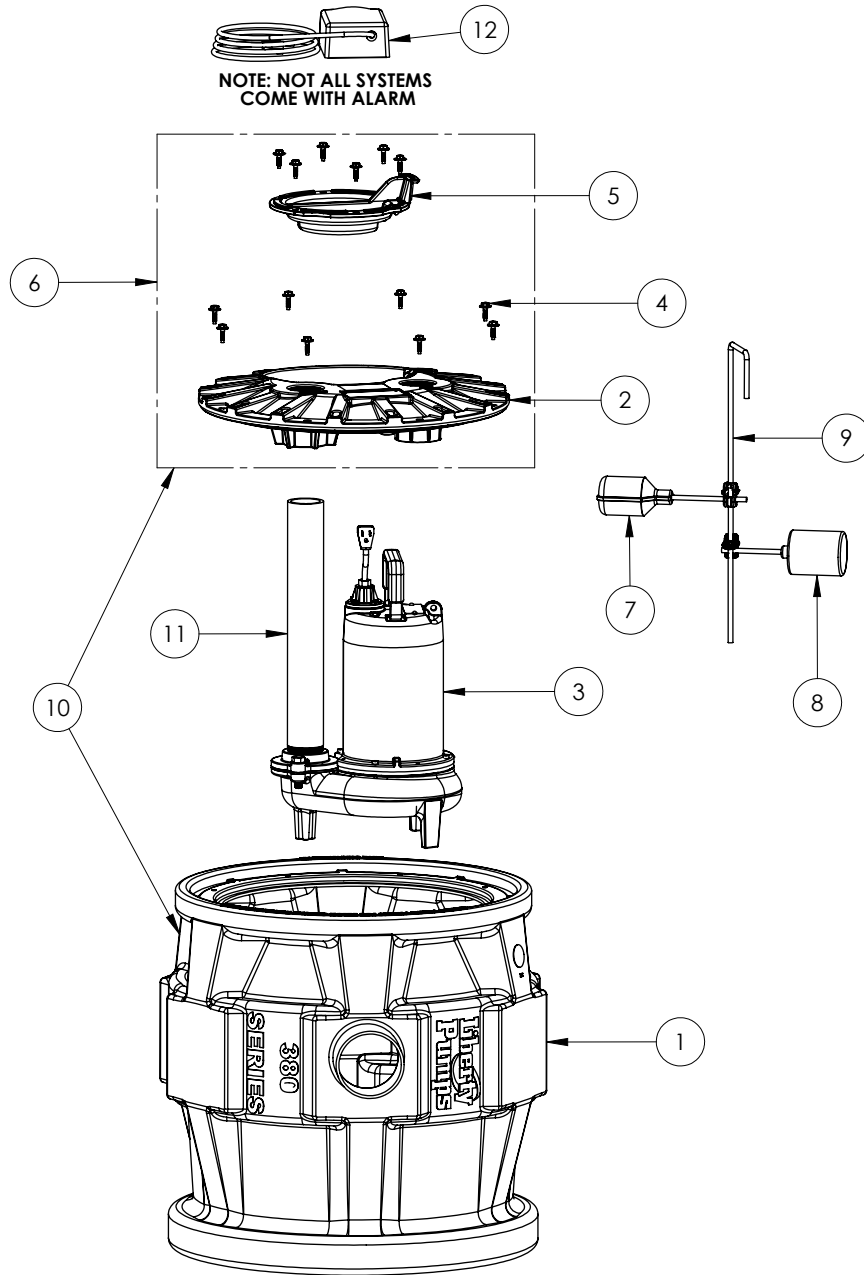


P382LE71 (B10)



P382LE71

P382LE71 (B10)

| # | PART # | DESCRIPTION | QTY | Note |
|----|-------------------------------|---|-----|------|
| 1 | K001110 | PRO380 SERIES 24" BASIN | 1 | |
| 2 | 50340A0 | 2X2 COVER, 8 BOLTS, FOR PVC PIPE | 1 | |
| 3 | LE71M2 | 3/4 HP SEWAGE PUMP 115V, 10' POWER CORD | 1 | [1] |
| 4 | K001162 | COVER HARDWARE, WASHER HEAD HEX SCREWS 14 INCLUDED IN KIT | 1 | |
| 5 | K001233 | INSPECTION COVER, INCLUDES MOUNTING SCREWS (6) | 1 | |
| 6 | K001101 | COVER ASY 2X2, 8 BOLTS, FOR PVC PIPE | 1 | |
| 7 | Pro Series Alarm switch (B10) | REPLACEMENT SWITCH BASED ON SYSTEM LABEL | 1 | [2] |
| 8 | K001054 | 61130A0 PUMP SWITCH, 10' 115V | 1 | |
| 9 | K001123 | QUICKTREE KIT, ROD & CLAMPS ONLY | 1 | |
| 10 | K001107 | P382 TANK & 2X2 COVER ASSEMBLY | 1 | |
| 11 | K001399 | PRO SERIES PIPE KIT 2" SCH80 X17.50" | 1 | |
| 12 | SEE NOTE FOR ALARM | ALARM ONLY | | [3] |
| 13 | K001144 | 61130B0 PUMP SWITCH, 25' 115V | 1 | |
| 14 | K001134 | FLOAT SWITCH, 20FT CORD, INCLUDES 1 SWITCH PER KIT | 1 | |
| 15 | K001415 | 60050D0 SWITCH, 10' PILOT DUTY PIGTAIL | 1 | |
| 16 | K001054 | 61130A0 PUMP SWITCH, 10' 115V | 1 | |

PART NOTES:

- [1] - **NOTE**
Select PROSERIES Pump below to show sewage pump assembly parts
ex: P382LE71/A2
LE71
LE71-2
- [2] - **NOTE**
ALARM SWITCH KITS
For /A2 Suffix of model number use Part No. K001134
For /A21 Suffix of model number use Part No. K001415
For /A2W Suffix of model number use Part No. K001134
- [3] - ALARM PRO SERIES
FORA2 SUFFIX OF MODEL
NUMBER: USE PART NO 6225000
FORA2W SUFFIX OF MODEL
NUMBER: USE PART NO 6226000
FORA21 SUFFIX OF MODE
NUMBER: USE PART NO 6242000
Part requires factory authorized service. Contact Liberty Pumps at 1-800-543-2550