

THE SHARK[®] Series

Models

818, 819, 820

Grinder Series

Zoeller Shark[®] Series grinder pumps are engineered to grind and pump tough materials, including disposable wipes, found in today's wastewater applications.

- Dual blade, angled cutter design provides superior grinding with sharper cutting edges
- More torque delivered to each cutter blade
- Lowering amp spikes during demanding grinding cycles
- Cutting plate decreases solids to less than 1/8" (3 mm)
- Cool-run design incorporates an oil-filled motor with finned housings
- Automatic & non-automatic models
 - 1 HP: 115/200/230 Volt, 1 Phase
 - 1.5 & 2.0 HP: 200/230 Volt, 1 Phase
 - 1.0, 1.5 & 2.0 HP: 200/230/460/575 Volt, 3 Phase

100% factory tested

ZOELLER[®]
PUMP COMPANY

Trusted. Tested. Tough.[™]

zoellerpumps.com 800-928-7867
3649 Cane Run Road, Louisville, KY 40211 USA



Grinder blade and cutting plate



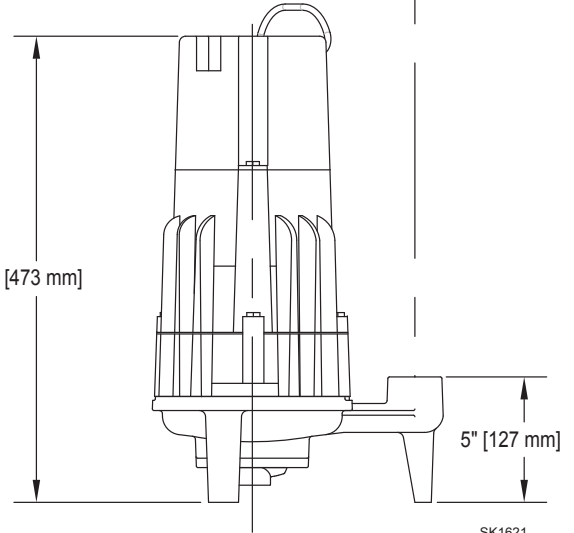
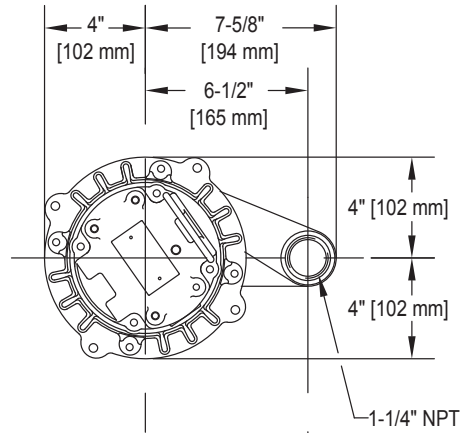
FM2966

PRODUCT SPECIFICATIONS

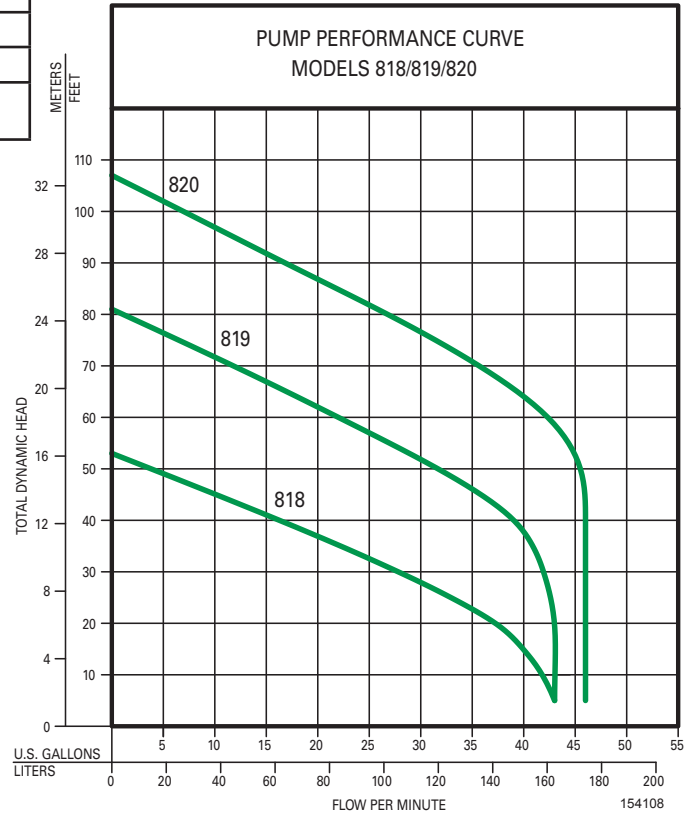
MOTOR	Horse Power	1.0 - 2.0
	Voltage	115* / 200 - 575
	Phase	1 Ph or 3 Ph
	Hertz	60 Hz
	RPM	3450
	Type	Capacitor start / capacitor run or 3 Ph
	Insulation	Class B
	Amps	2.7 - 15.5
	PUMP	Operation
Auto On / Off		Variable level float switch, customer sets
Discharge Size		1-1/4" NPT vertical discharge
Cord Length		20' (6 m) standard
Cord Type		SOOW multi-wire neoprene
Max. Head		107' (32.6 m)
Max. Flow Rate		46 GPM (174 LPM)
Max. Operating Temp.		130 °F (54 °C)
Cooling		Oil filled
Motor Protection	Auto reset thermal overload (1 Ph)	
MATERIALS	Cap	Cast iron
	Motor Housing	Cast iron
	Adapter	Cast iron
	Pump Housing	Cast iron
	Upper Bearing	Ball bearing
	Lower Bearing	Ball bearing
	Mechanical Seals	Carbon / ceramic
	Impeller Type	Vortex
	Impeller	Engineered plastic
	Hardware	304 Stainless steel
	Motor Shaft	416 Stainless steel
	Gasket & Square Ring	Neoprene
	Cutter	Type 440C stainless steel hardened to Rockwell C55-60

18-5/8" [473 mm]

SK1621



*115 Volt model 818 only



All installation of controls, protection devices and wiring should be done by a qualified licensed electrician. All electrical and safety codes should be followed including the most recent National Electrical Code (NEC) and the Occupational Safety and Health Act (OSHA).

© Copyright 2018 Zoeller® Co. All rights reserved.

502-778-2731 | 800-928-7867 | 3649 Cane Run Road | Louisville, KY 40211-1961 | zoellerpumps.com