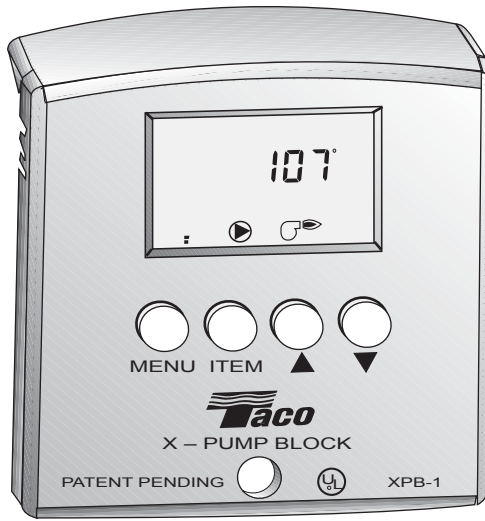
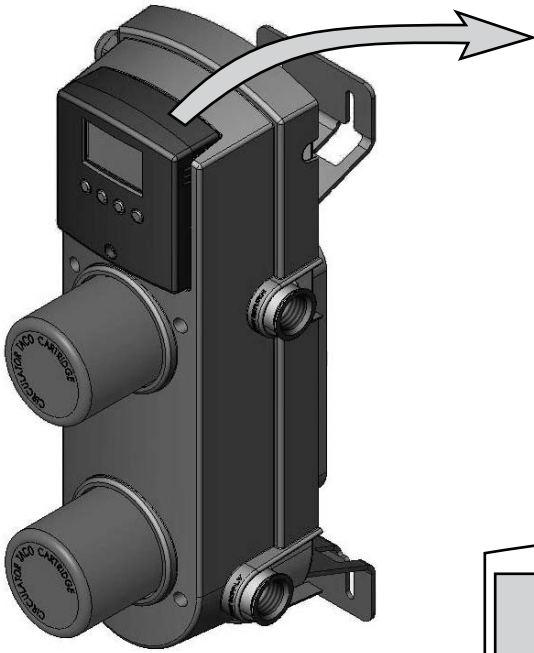
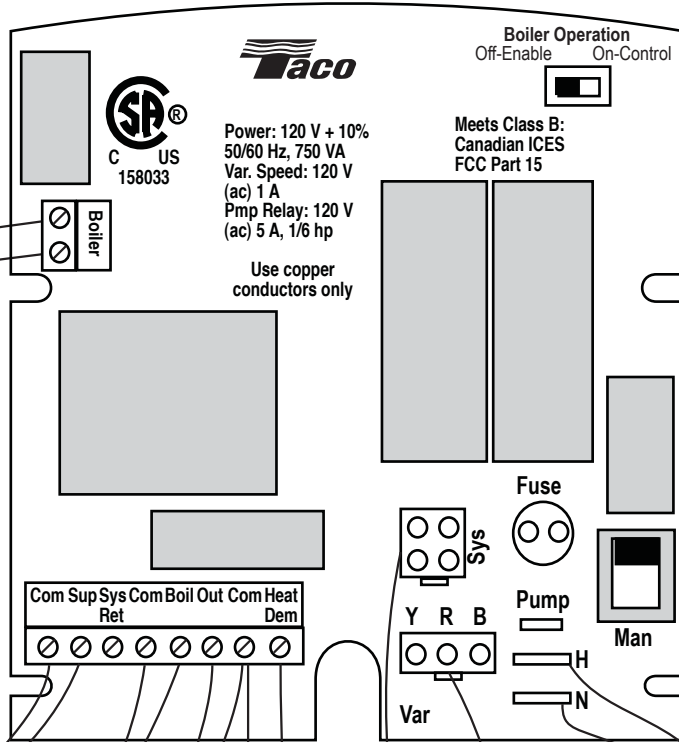


# X – Pump Block (XPB)

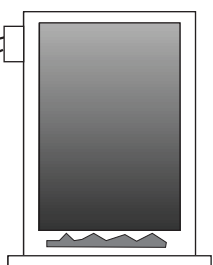
## Wiring Guide



**Front of Control**



**Back of Control**



**Heat Source**

**System Supply Sensor**

**Heat Source Sensor**

**Outdoor Sensor**

**To Zone Control End Switch or Thermostat (Relay or Mechanical Type)**

**Variable Speed Circulator**  
Heating: Heat Source Circulator  
Snowmelt: System Circulator

**Constant Speed Circulator**  
Heating: System Circulator  
Snowmelt: Heat Source Circulator