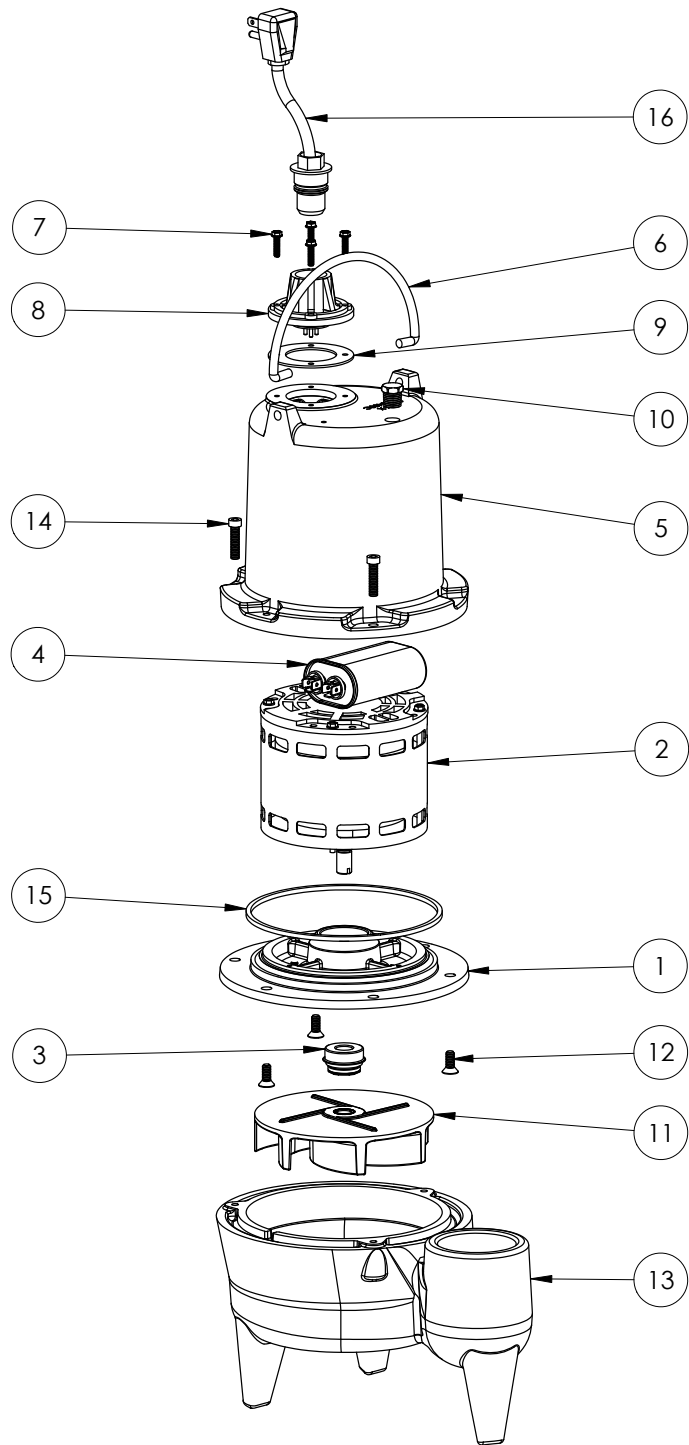


LE41M (B32)



**LE41M****LE41M (B32)**

| <b>#</b> | <b>PART #</b> | <b>DESCRIPTION</b>                  | <b>QTY</b> | <b>Note</b> |
|----------|---------------|-------------------------------------|------------|-------------|
| 1        | 509200R       | MOTOR SUPPORT PLATE                 | 1          | [1]         |
| 2        | 5197200       | MOTOR .5HP WITH BALL BEARING        | 1          |             |
| 3        | 50980A0       | 1/2 INCH UNITIZED SEAL              | 1          | [1]         |
| 4        | 51930E0       | CAPACITOR                           | 1          |             |
| 5        | 545000R       | MOTOR COVER                         | 1          |             |
| 6        | K001095       | STAINLESS STEEL HANDLE              | 1          |             |
| 7        | 8064000       | #8-32 x 5/8 HEX WASHER HEAD SCREW   | 4          |             |
| 8        | 5014000       | CORD PLATE                          | 1          |             |
| 9        | 5060000       | CORD PLATE GASKET                   | 1          |             |
| 10       | 5071000       | BRASS OIL PLUG                      | 1          |             |
| 11       | K001163       | IMPELLER                            | 1          |             |
| 12       | 8018000       | 1/4-20 x 5/8 SLOTTED FLAT HEAD BOLT | 3          |             |
| 13       | 545200R       | VOLUTE                              | 1          | [1]         |
| 14       | 8091000       | 1/4-20 x 1 HEX SOCKET HEAD BOLT     | 3          |             |
| 15       | 5066000       | SEALRING, MOTOR COVER, #254S        | 1          | [1]         |
| 16       | K001010       | POWER CORD, 115V, 10 FOOT CORD      | 1          |             |

**PART NOTES:**

[1] - Part requires factory authorized service. Contact Liberty Pumps at 1-800-543-2550