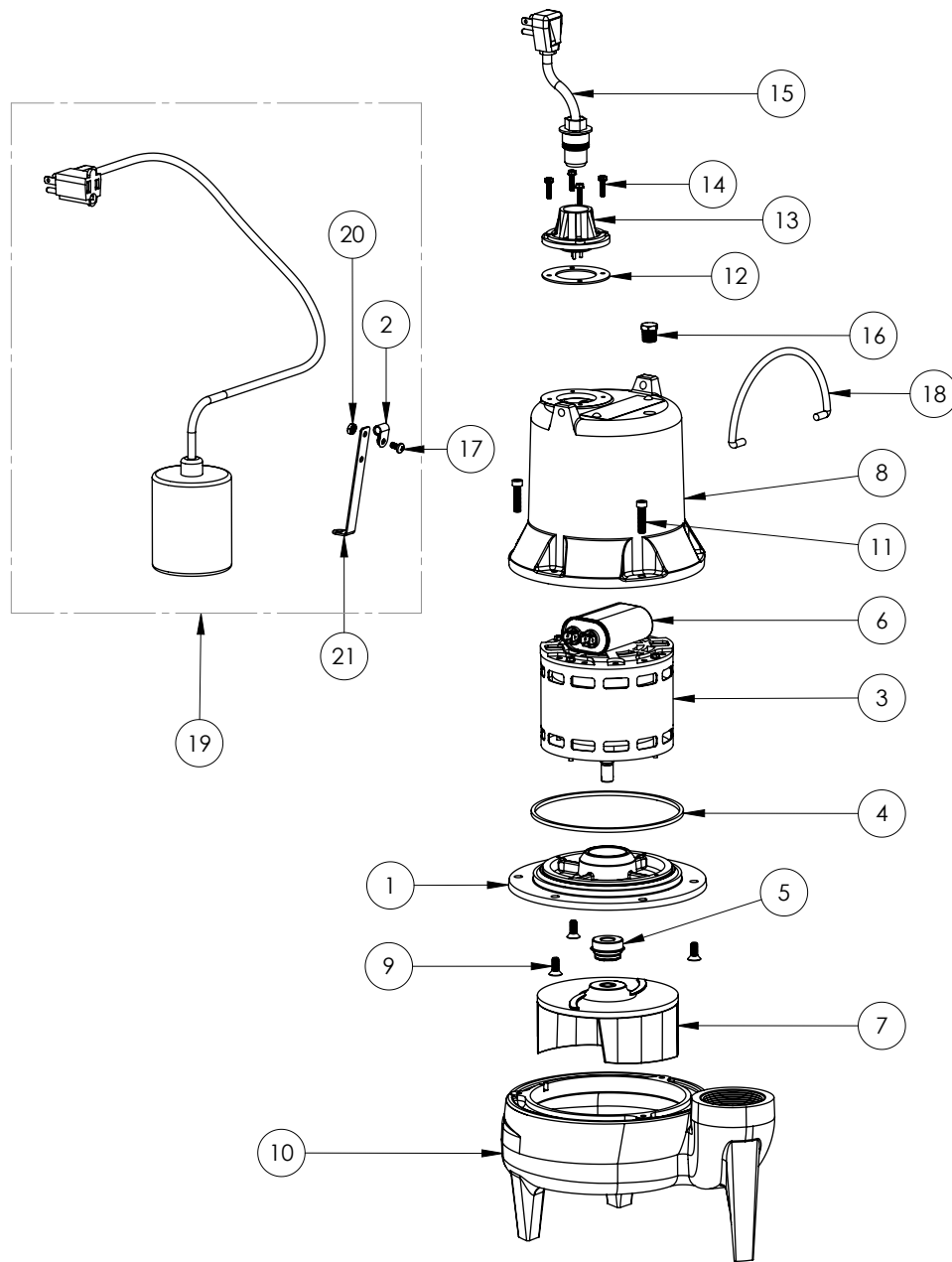


LE51A-2 (B41)



**LE51A-2****LE51A-2 (B41)**

#	PART #	DESCRIPTION	QTY	Note
1	509200R	MOTOR SUPPORT PLATE	1	[1]
2	8014000	CABLE CLAMP	1	
3	51972A0	MOTOR 1/2HP WITH BALL BEARINGMOTOR .5HP WITH BALL BEARING	1	[1]
4	5066000	SEALRING, MOTOR COVER, #254S	1	[1]
5	50980A0	1/2 INCH UNITIZED SEAL	1	[1]
6	51930E0	CAPACITOR	1	
7	K001039	IMPELLER	1	
8	527800R	MOTOR CAPMOTOR CAP, BROWN	1	[1]
9	8018000	1/4-20 x 5/8 SLOTTED FLAT HEAD BOLT1/4-20X5/8 SLOTTED FLAT HEAD	3	
10	545100R	HOUSING, VOLUTEHOUSING, VOLUTE, BROWN	1	
11	8091000	1/4-20 x 1 HEX SOCKET HEAD BOLTBOLT 1/4-20x1 HEX SOCKET HD	3	
12	5060000	CORD PLATE GASKET	1	
13	5014000	CORD PLATE	1	
14	8064000	#8-32 x 5/8 HEX WASHER HEAD SCREW#8-32 x 5/8 HEX WASHER HEAD	4	
15	K001008	POWER CORD, 115V, 25 FOOT CORDPOWER CORD, 115V 25ft CORD	1	
16	50710A0	PIPE PLUG, 1/4" HEX HD BRASS NPTF	1	
17	8082000	#10-24 x 3/8 EPOXY LOCK SCREW	1	
18	K001095	STAINLESS STEEL HANDLE	1	
19	K001004	61130B0, 25' PUMP SWITCH KITPUMP SWITCH, 115V 25ft CORD	1	
20	8002000	#10-24 STAINLESS STEEL HEX#10-24 HEX STAINLESS STEEL NUT	1	
21	5070000	FLOAT SWITCH SUPPORTSUPPORT, SWITCH ft98	1	

**PART NOTES:**

[1] - Part requires factory authorized service. Contact Liberty Pumps at 1-800-543-2550