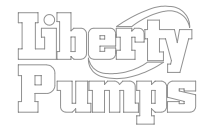
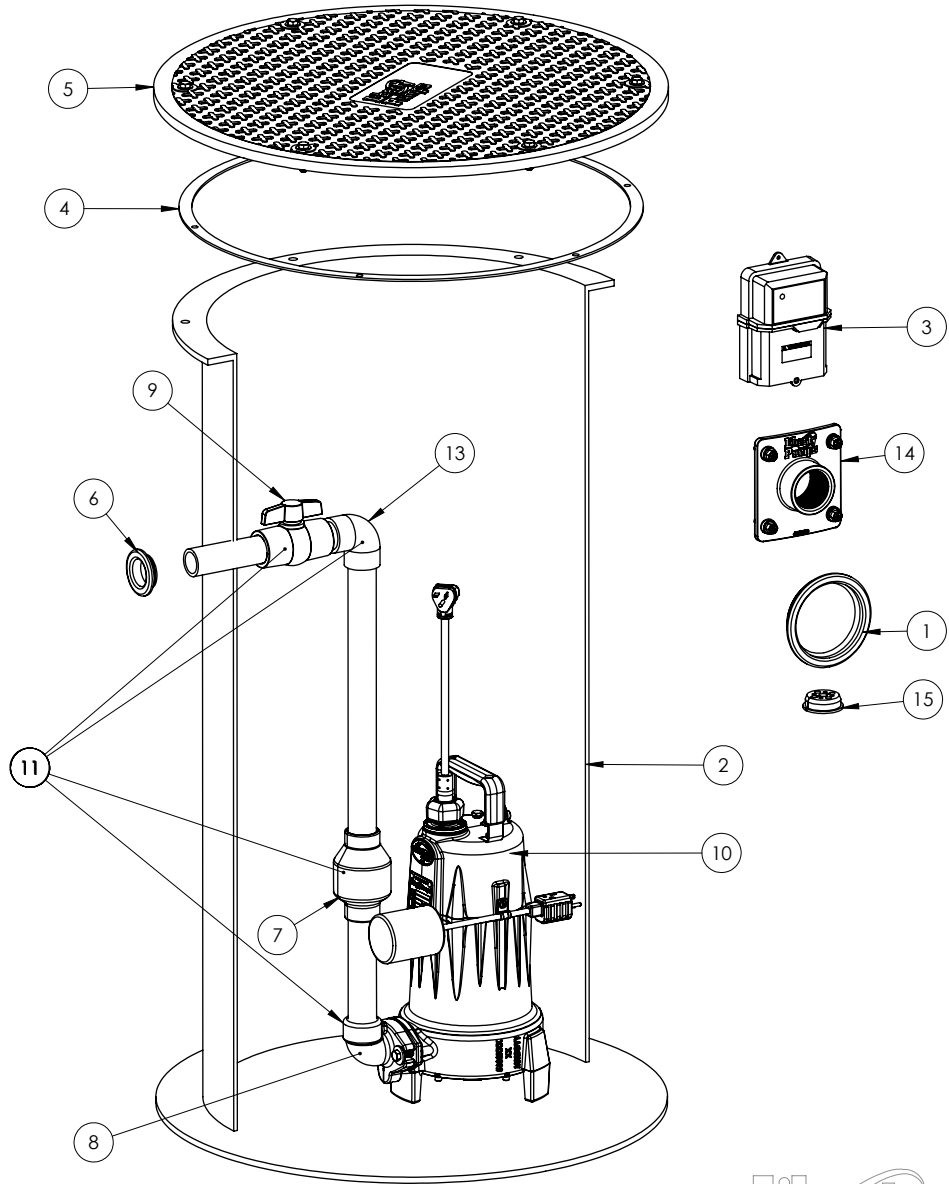


EPAK-LSG (B10)



**EPAK-LSG****EPAK-LSG (B10)**

#	PART #	DESCRIPTION	QTY	Note
1	K001147	4764000 4" PIPE SEAL GROMMET	1	
2	K001461	4656000 24X48 FIBERGLASS TANK, E-PAK	1	
3	ALM-2W	115V ALARM, WEATHERPROOF	1	
4	K001459	COVER GASKET TAPE, INCLUDES COVER HARDWARE	1	
5	K001215	4657000 24" FIBERGLASS CVR W/ HARDWARE	1	
6	K001353	4766000 PIPE SEAL GROMMET, 1-1/4" PIPE	1	
7	6254000	1-1/4" PVC CHECK VALVE	1	
8	G90	FLANGED ELBOW KIT, INCLUDES GASKET, SCREWS AND WASHER	1	
9	47690A0	1-1/4" PVC BALL VALVE	1	
10	LSG202M	OMNIVORE GRNDR 2HP	1	
11	K001171	FITTINGS KIT, EPAK-LSG	1	
12	K001136	SWITCH KIT	1	
13	4706000	1-1/4" SCH80 PVC ELBOW 90 DEGREE	1	
14	K001352	BULKHEAD FITTING 2" NPS, INCLUDES MOUNTING HARDWARE	1	
15	45480B0	2" DOUBLE HOLE STOPPER	1	

---

**EPAK-LSG (B10)**