

QWIK JON

ELONGATED REAR OUTLET TOILET

Add a Bathroom
Anywhere! No Gravity
Drain Required.
Making Bathroom
Installations Easy!



Trusted. Tested. Tough.®

© Copyright Zoeller® Co. All rights reserved.





ELONGATED TOILET



202-3002



202-2000



023260 (optional)



10-5090



Model 202 meets the Americans with Disabilities Act guidelines and ANSI A117.1 requirements for accessible and usable facilities — check local codes

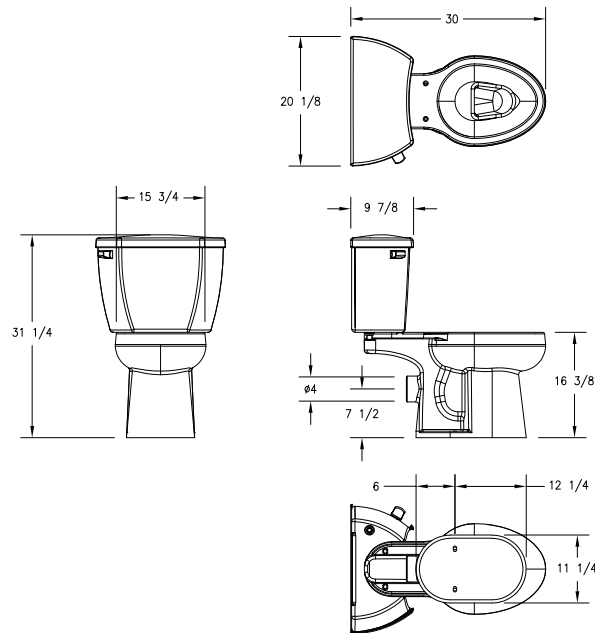


Product information presented reflects conditions at time of publication. Consult factory regarding discrepancies or inconsistencies.

» FEATURES AND BENEFITS

- Rear outlet toilet making it a perfect option for when ground flushing models will not work
- With the rear outlet, eliminate tearing up the floor to connect the toilet
- Easier installation and repairs. There is no need for lifting the toilet and disrupting the wax seal
- Standard elongated bowl and decorative tank with left-hand flush lever
- 1.28 gallons per flush
- ADA compliant toilet height
- Pairs with Qwik Jon® Premier for a complete bathroom

» TOTAL DIMENSIONS



» PART NUMBERS AND QWIK JON® PACKAGES

PART #	PRODUCT
202-2000	Qwik Jon® elongated toilet bowl
202-3002	Qwik Jon® toilet tank
200-0021	1 box system. Toilet tank, elongated bowl, Qwik Jon® Choice Macerator. Ships on a skid
200-4000	3 boxes per system. Toilet tank, elongated bowl, Qwik Jon® Choice Macerator. Preferred shipping method for online orders
201-0021	1 box system. Toilet tank, elongated bowl, Qwik Jon® Premier Grinder. Ships on a skid
201-4000	3 boxes per system. Toilet tank, elongated bowl, Qwik Jon® Premier Grinder. Preferred shipping method for online orders
023260	Optional extension kit (available for recessed or behind the wall installations)
10-5090	Optional Qwik Jon® Premier high water Qwik Alarm™

FM3418
0226
Supersedes
0224