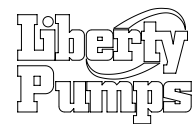
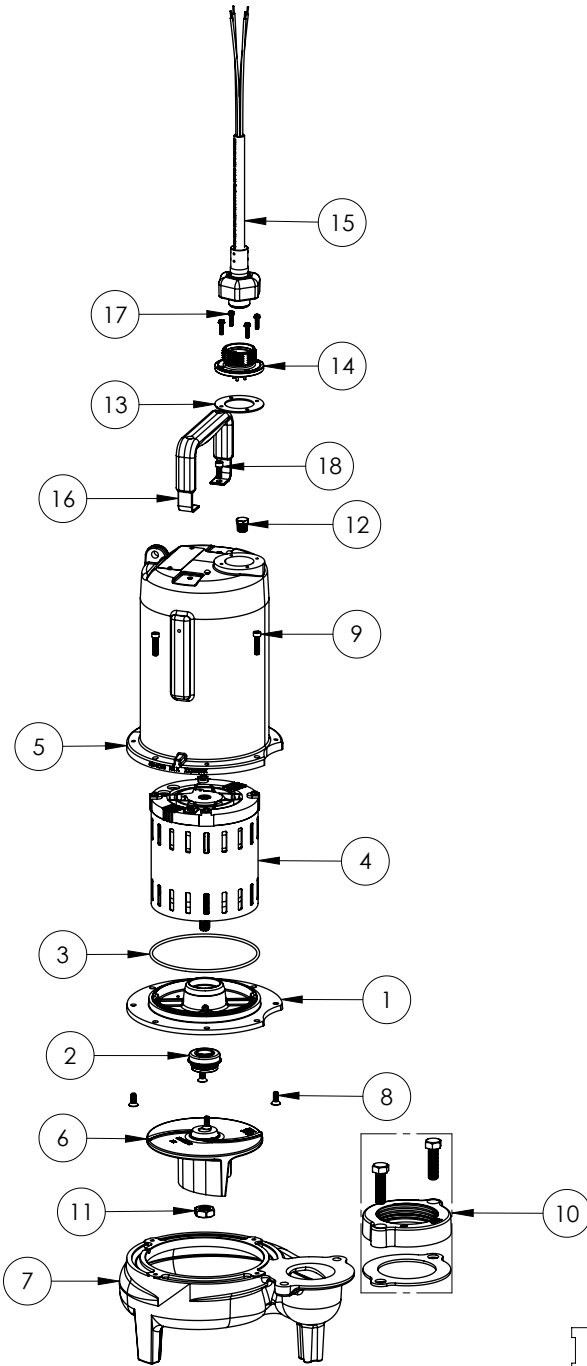


LE104M3-3 (B75)



LE104M3-3**LE104M3-3 (B75)**

| # | PART # | DESCRIPTION | QTY | Note |
|----|---------|---|-----|------|
| 1 | 537600R | MOTOR PLATE LE100 3PHASE | 1 | |
| 2 | 5633000 | 3/4" UNITIZED SHAFT SEAL | 1 | [1] |
| 3 | 5617000 | O-RING | 1 | |
| 4 | 5333000 | MOTOR | 1 | [1] |
| 5 | 531400R | MOTOR COVER | 1 | [1] |
| 6 | K001487 | 51310A0 IMPELLER KIT, INCLUDES 5/8" JAM NUT | 1 | |
| 7 | 531500R | VOLUTE HOUSING | 1 | |
| 8 | 8018000 | 1/4-20 x 5/8 SLOTTED FLAT HEAD BOLT | 4 | |
| 9 | 8091000 | 1/4-20 x 1 HEX SOCKET HEAD BOLT | 4 | |
| 10 | K001222 | 3" DISCHARGE KIT | 1 | |
| 11 | 5887000 | NUT, JAM, 5/8-18 HEX S.S. | 1 | |
| 12 | 5071000 | BRASS OIL PLUG | 1 | |
| 13 | 5060000 | CORD PLATE GASKET | 1 | |
| 14 | 5629000 | CORDPLATE | 1 | |
| 15 | K001424 | 3PH POWER CORD ASSY KIT 35FT | 1 | |
| 16 | 3411200 | HANDLE | 1 | |
| 17 | 8064000 | #8-32 x 5/8 HEX WASHER HEAD SCREW | 4 | |
| 18 | 8103000 | SCREW 1/4-20x5/8" HX SKT SS | 2 | |

PART NOTES:

[1] - Part requires factory authorized service. Contact Liberty Pumps at 1-800-543-2550