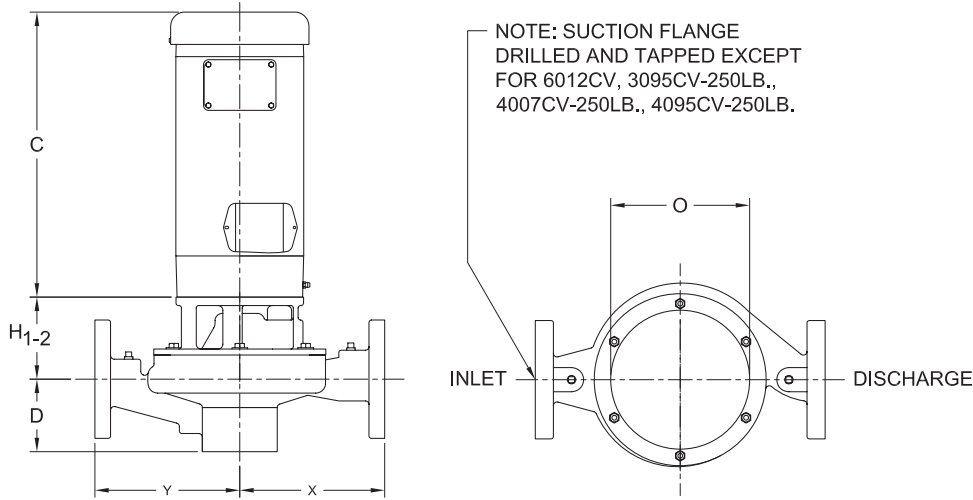


## Close Coupled In-Line Pumps

<b>PUMP NO.</b>	<b>PUMP:</b>	<b>MOTOR:</b>	<b>VOLTS:</b>
<b>FOR:</b>	<b>TDH:</b>	<b>HP:</b>	<b>HZ:</b>
<b>CERT. BY:</b>	<b>GPM:</b>	<b>RPM:</b>	<b>FRAME:</b>
<b>DATE:</b>	<b>ROTATION:</b>	<b>PHASE:</b>	
	<b>FIGURE NO:</b>	<b>ENCLOSURE:</b>	



Motor Dimensions	Motor Frames	56J	143 JM	145 JM	145 JM	182 JM	184 JM	213 JM	215 JM	254 JM	256 JM	284 JM	286 JM	324 JM	326 JM
	HP - 1750 RPM	.33 - .75	1	1.5	2	3	5	7.5	10	15	20	25	30	40	50
HP - 3500 RPM	N/A	1.5	2	3	5	7.5	10	15	20	25	30	40	50	60	
C - DIMENSION DRIP PROOF	9.25 (235)	10.50 (267)	11.50 (292)	11.50 (292)	12.50 (318)	13.50 (343)	15 (381)	16.50 (419)	18.75 (476)	20.75 (527)	21.50 (546)	23 (584)	24.50 (622)	25.50 (648)	
O - DIMENSION DRIP PROOF	6.63 (168)	7 (178)	7 (178)	7 (178)	9 (229)	9 (229)	10.62 (270)	10.62 (270)	12.50 (318)	12.50 (318)	14 (356)	14 (356)	16 (406)	16 (406)	
C - DIMENSION TEFC	9.50 (241)	12 (305)	13 (330)	13 (330)	14.25 (362)	15.25 (362)	17.25 (438)	18.25 (464)	21.25 (540)	23 (584)	24.50 (622)	25.50 (648)	26 (660)	27 (686)	
O - DIMENSION TEFC	6.63 (168)	7.25 (184)	7.25 (184)	7.25 (184)	9.37 (238)	9.37 (238)	11.12 (282)	11.12 (282)	13.25 (337)	13.25 (337)	15 (381)	15 (381)	17 (432)	17 (432)	

Pump Dimensions	Pump Model	ANSI Size Flange		X	Y	D	H <sub>1</sub> (140 - 210 JM)	H <sub>2</sub> ** (250 JM)
		Inlet	Disch.					
	1507CV *	1.5	1.5	7.50 (191)	7.50 (191)	3.75 (95)	4.25 (108)	N/A
	2007CV *	2	2	7.50 (191)	7.50 (191)	4.37 (111)	4.43 (113)	N/A
	2507CV	2.5	2.5	8.00 (203)	8.00 (203)	5.25 (133)	4.53 (116)	4.53 (116)
	3007CV	3	3	9.50 (241)	9.50 (241)	5.75 (146)	4.43 (113)	4.75 (120)
	4007CV	4	4	10.00 (254)	10.00 (254)	6.12 (156)	4.78 (121)	5.03 (128)
	2095CV	2	2	9.50 (241)	9.50 (241)	4.50 (114)	3.75 (95)	4.88 (124)
	2595CV	2.5	2.5	10.00 (254)	10.00 (254)	5.50 (140)	3.75 (95)	4.88 (124)
	3095CV	3	3	11.00 (279)	11.00 (279)	6.00 (152)	3.75 (95)	4.88 (124)
	4095CV	4	4	12.00 (305)	12.00 (305)	6.81 (173)	4.97 (126)	4.97 (126)
	6012CV	6	6	15.50 (381)	14.50 (368)	7.50 (191)	5.37 (136)	5.37 (136)

\* Motor Frame 56J only used on these pump models

\*\* Use with Motor Frame 254 JM and up

X & Y Dimensions are constant for any offered ANSI Flange Rating

() = Metric Dimensions, mm