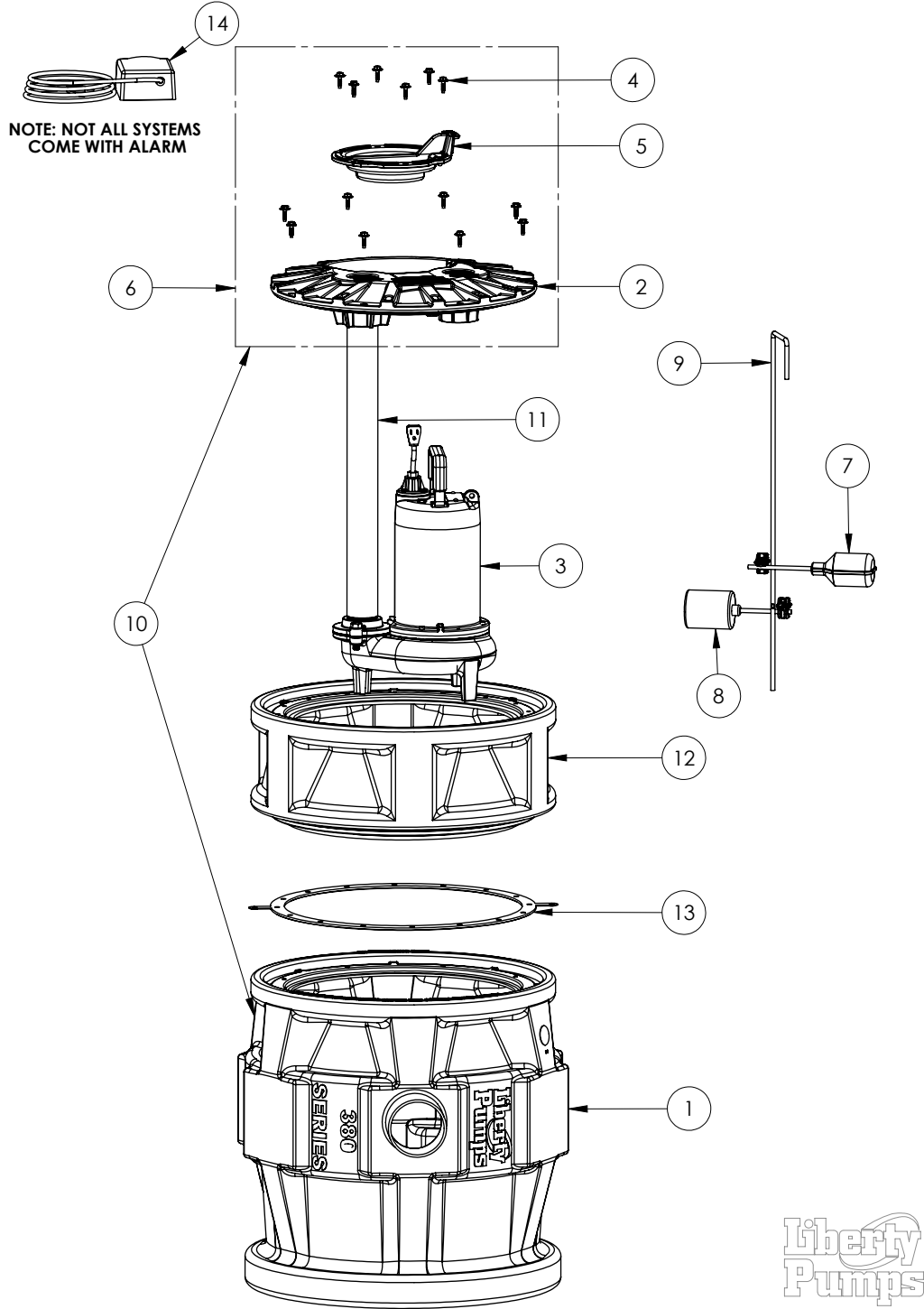


P382X8LE72

P382X8LE72 (B10)



P382X8LE72 (B10)

P382X8LE72

PAGE

P382X8LE72 (B10)

#	PART #	DESCRIPTION	QTY	Note
1	K001110	PRO380 SERIES 24" BASIN	1	
2	50340A0	2X2 COVER, 8 BOLTS, FOR PVC PIPE	1	
3	LE72M2	3/4 HP SEWAGE PUMP 208-230V 10' POWER CORD	1	[1]
4	K001162	COVER HARDWARE, WASHER HEAD HEX SCREWS 14 INCLUDED IN KIT	1	
5	K001233	INSPECTION COVER, INCLUDES MOUNTING SCREWS (6)	1	
6	K001101	COVER ASY 2X2, 8 BOLTS, FOR PVC PIPE	1	
7	Pro Series Alarm switch (B10)	REPLACEMENT SWITCH BASED ON SYSTEM LABEL	1	[2]
8	K001019	61140A0 PUMP SWITCH, 10' 230V, INCLUDES MOUNTING HARDWARE	1	
9	K001394	EXTENSION QUICK TREE KIT, ROD AND CLAMPS ONLY	1	
10	K001107	P382 TANK & 2X2 COVER ASSEMBLY	1	
11	K001290	2" SHC80 PVC PIPE FOR PRO TANK W/ EXTENSION	1	
12	X8	EXTENSION KIT, INCLUDES EXT BASIN,PIPE, BOLTS AND QUICK TREE SUPPORT	1	[3]
13	45990A0	GASKET MOLDED 20CVR SOFT	1	
14	SEE NOTE FOR ALARM	ALARM ONLY		[4]
15	K001019	61140A0 PUMP SWITCH, 10' 230V, INCLUDES MOUNTING HARDWARE	1	
16	K001431	61140B0 PUMP SWITCH, 25' 230V	1	
17	K001134	FLOAT SWITCH, 20FT CORD, INCLUDES 1 SWITCH PER KIT	1	
18	K001415	60050D0 SWITCH, 10' PILOT DUTY PIGTAIL	1	

PART NOTES:

- [1] - ****NOTE****
 Select PROSERIES Pump below to show sewage pump assembly parts
 ex: P382X8LE72/A2
 LE72
 LE72-2
- [2] - ****NOTE****
 ALARM SWITCH KITS
 For /A2 Suffix of model number use Part No. K001134
 For /A21 Suffix of model number use Part No. K001415
 For /A2W Suffix of model number use Part No. K001134
- [3] - To view PROSERIES X8 EXTENSION KIT click here

P382X8LE72 (B10)

- [4] - ALARM PRO SERIES
 - FORA2 SUFFIX OF MODEL
 - NUMBER: USE PART NO 6225000
 - FORA2W SUFFIX OF MODEL
 - NUMBER: USE PART NO 6226000
 - FORA21 SUFFIX OF MODE
 - NUMBER: USE PART NO 6242000
 - Part requires factory authorized service. Contact Liberty Pumps at 1-800-543-2550