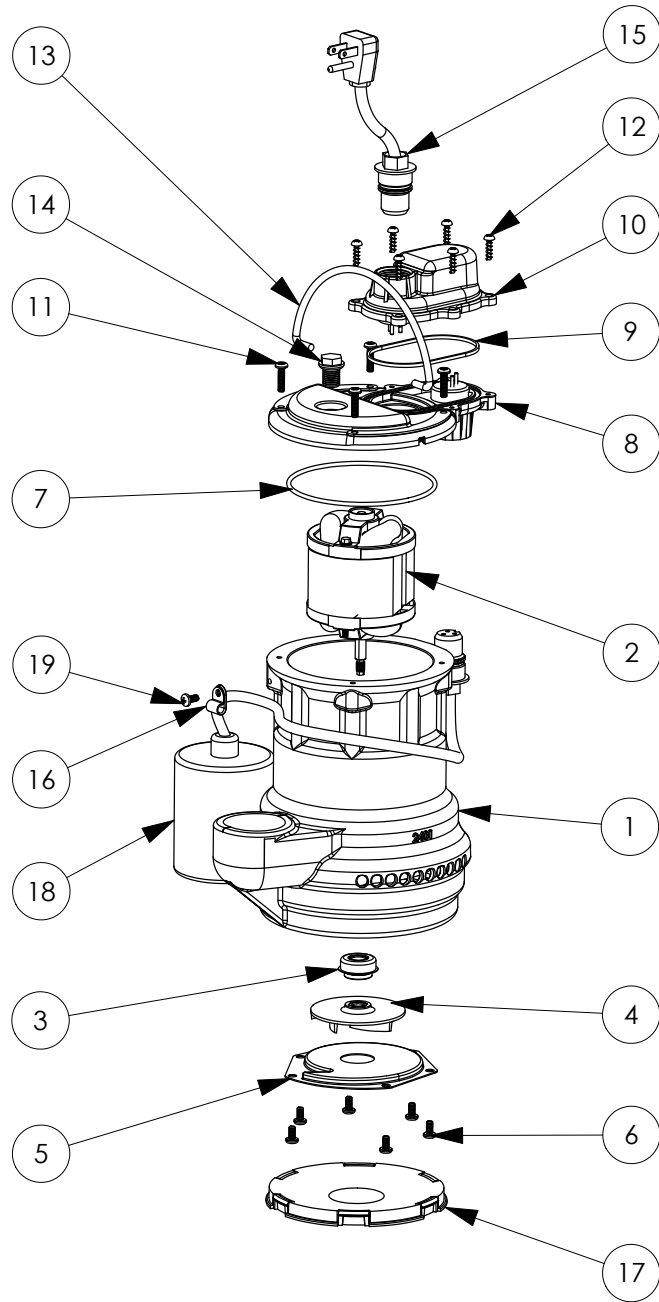


241 (B10)



241 (B10)

#	PART #	DESCRIPTION	QTY	Note
1	24010AG	CAST IRON HOUSING WITH HOLE	1	
2	2404200	MOTOR	1	
3	2309000	5/16 SHAFT SEAL	1	
4	2408000	IMPELLER	1	
5	2403000	INLET STAMPING, STAINLESS STEEL	1	
6	8092000	#10 - 24 x 3/8" SCREW	6	
7	2357000	O-RING	1	[1]
8	240600G	MOTOR COVER, GREY	1	
9	K001046	SEALRING, CHAMBER COVER	1	
10	240700G	CHAMBER COVER, GREY	1	
11	8072000	#10 - 24 x 3/4" SCREW	4	
12	8104200	#10 HILO X 5/8" STAINLESS STEEL SCREW	6	
13	K001082	HANDLE	1	
14	8089000	OIL PLUG, O-RING ASSEMBLY	1	
15	K001010	POWER CORD, 115V, 10 FOOT CORD	1	
16	8014000	CABLE CLAMP	1	
17	25020A0	SOLID BOTTOM PLUG	1	
18	K001080	2405000 MECHANICAL SWITCH W/ QUICKPLUG	1	
19	8082000	#10-24 x 3/8 EPOXY LOCK SCREW	1	

PART NOTES:

[1] - Part requires factory authorized service. Contact Liberty Pumps at 1-800-543-2550