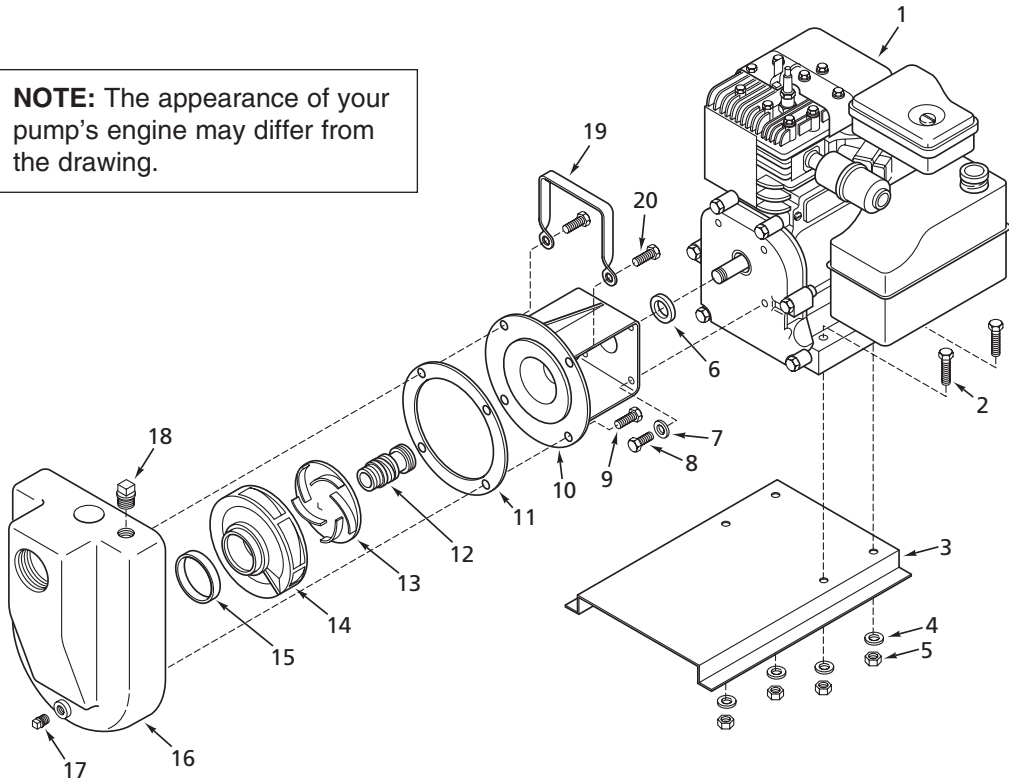


**MODELS****30EDH****30EEDH**

**NOTE:** The appearance of your pump's engine may differ from the drawing.

**REPAIR PARTS LIST**

Key No.	Part Description	No. Used	30EEDH 3-1/2 HP Pump w/Engine	30EDH 3-1/2 HP Pump w/Engine
1	Gas Engine	1	U277-29BR	U277-29R
2	Capscrew - 5/16 - 18 x 1-3/4" Lg.	4	U30-66C	U30-65C
3	Base	1	C104-9	C4-73
4	Lockwasher - 5/16"	4	U43-11C	U43-11C
5	Nut - 5/16" - 18	4	U36-37C	U36-37C
6	Water Slinger	1	—	17351-0009
7	Lockwasher - 5/16"	2	U43-11C	U43-11C
8	Capscrew - 5/16 - 18 x 7/8" Lg.	4	U30-777C	U30-777C
9	Capscrew - 3/8 - 16 x 3/4" Lg.	2	U30-72SS	U30-72SS
10	Adapter	1	C2-49	C2-14B
11	Gasket	1	C20-21	C20-21
12	Shaft Seal	1	U109-106SS	U109-93SS
13	Impeller	1	C5-60	C5-60
14	Diffuser	1	C1-51	C1-51
15	Diffuser Ring	1	C21-2	C21-2
16	Pump Body	1	C76-52	C76-52F
17	Pipe Plug - 1/4" NPT	1	U78-57SS	U78-57CT
18	Pipe Plug - 3/4" NPT	1	U78-60S	U78-60S
19	Handle	1	C54-29	C54-29
20	Capscrew - 3/8 - 16 x 7/8" Lg.	2	U30-73SS	U30-73SS
•	Engine Pads	4	C43-20	—
•	Spacer	1	C43-37	—
•	Shaft Extension	1	C10-22	—
•	Clamp Assembly	1	C111-1	—

• Not illustrated.