

Product information presented here reflects conditions at time of publication. Consult factory regarding discrepancies or inconsistencies.



MAIL TO: P.O. BOX 16347 • Louisville, KY 40256-0347
SHIP TO: 3649 Cane Run Road • Louisville, KY 40211-1961
TEL: (502) 778-2731 • 1 (800) 928-PUMP • **FAX:** (502) 774-3624

Visit our web site:
zoellerpumps.com

REPLACEMENT PARTS LIST FOR MODELS:

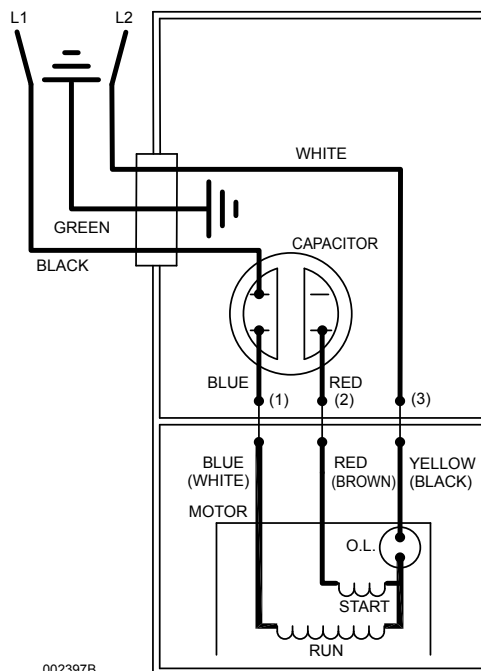
BN2282 NONAUTOMATIC W/PIGGYBACK FLOAT SWITCH 115V
BE2282 NONAUTOMATIC W/PIGGYBACK FLOAT SWITCH 230V

Consult factory for all other models

TO ORDER REPLACEMENT PARTS:

PLEASE FURNISH THE FOLLOWING INFORMATION:

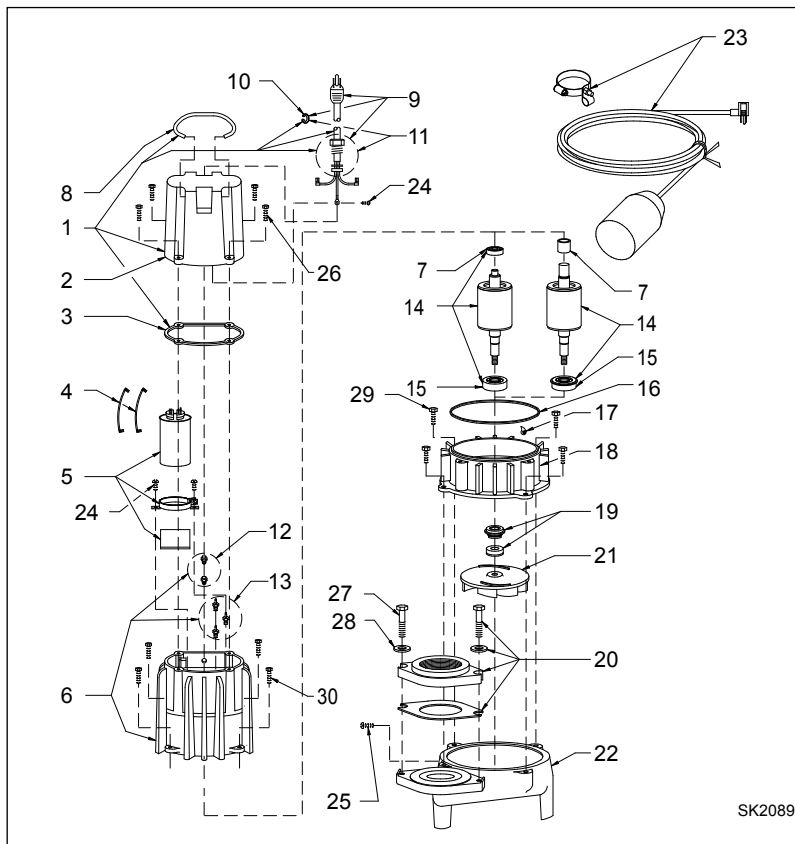
- Model Number.
- Part Number of Pump.
- Part Number and Description of part.



WIRING DIAGRAM FOR MODELS
"BN2282" and "BE2282"
02/01 thru Current

REPLACEMENT PARTS LIST FOR MODEL "BN2282" AND "BE2282"

REF. NO.	DESCRIPTION	QTY	NOTES	MODELS: BN2282-A BN2282-B BE2282-A BE2282-B			
				2/01 thru 5/10	6/10 thru Current	2/01 thru 5/10	6/10 thru Current
1	Cover & Cord	1		014761	014761	014762	014762
2	Cover-Mach	1		001077	001077	001077	001077
3	• Gasket, Case/Cover	1		001011	001011	001011	001011
4	• Wire Pkg.	1		004756	004756	004756	004756
5	Capacitor and Clamp Asm	1		002381	002381	002381	002381
6	Housing, Motor and Stator	1		014054	150954	014055	150955
7	Bearing, Sleeve	1		001012	N/A	001012	N/A
	Bearing, Radial	1		N/A	006703	N/A	006703
8	• Handle	1		217069	217069	217069	217069
9	Cord, Term & Seal	1		004721	004721	014047	014047
10	Clamp, Strain Relief	1		001770	001770	001770	001770
11	• Seal, Cord Asm and Strain Relief	1		014046	014046	014046	014046
12	• Plug-test	2		013095	013095	013095	013095
13	• Seal Thru Wall Term	3		003402	003402	003402	003402
14	Rotor and Bearing	1		007978	150874	007978	150874
15	Bearing, Lower Rotor	1		001013	001013	001013	001013
16	• Seal, Motor Housing	1		001014	001014	001014	001014
17	• Oil, Dielectric	1		006065	006065	006065	006065
18	Adapter, Mach	1		001003	001003	001003	001003
19	• Seal, Shaft	1		005098	005098	005098	005098
20	Flange 2"	1		10-1305	10-1305	10-1305	10-1305
	Flange 3"	1		10-1306	10-1306	10-1306	10-1306
21	Impeller	1		002998	002998	002998	002998
22	Housing, Pump-Mach	1		217012	217012	217012	217012
23	Float Switch	1		014773	014773	014774	014774
24	• Screw, Ground #6-32	3		001877	001877	001877	001877
25	• Screw, #10-24 SS	1		001883	001883	001883	001883
26	• Screw, 1/4-20 SS	4		001916	001916	001916	001916
27	• Screw, 1/2-20 SS	2		001909	001909	001909	001909
28	• Washer, 1/2 SS	2		002115	002115	002115	002115
29	• Screw 5/16-18 SS	4		002608	002608	002608	002608
30	• Screw 1/4-20 SS	4		007790	007790	007790	007790
□	Rebuild Kit	1		014061	014061	014061	014061



NOTES:

- 1) Mtr. Hsg., Brg., Stator & Term. (Item 6) is preassembled at the factory and must be replaced as a unit. Stator is permanently attached to the Motor Housing. Plug (Item 12); Seal, Thru Wall Term. (Item 13) and Bearing - Upper (Item 7) are replaceable.
- 2) When ordering Motor Housing, Bearing, Stator and Term. (Item 6) or Rotor (Item 14) specify either GE or Emerson motor. GE motor can be identified by (4) holes spaces at 90° around the outside diameter of the stator. Emerson motor can be identified by (4) flat edges spaces at 90° around the outside diameter of the stator.
- 3) If an "X" follows Model No., or Date Mfg. on brass ID tag, consult factory for ordering of this part.
- 4) See FM0160 Parts Price Sheet for listing of parts prices.
- 5) "NA" indicates, not applicable.

SK2089