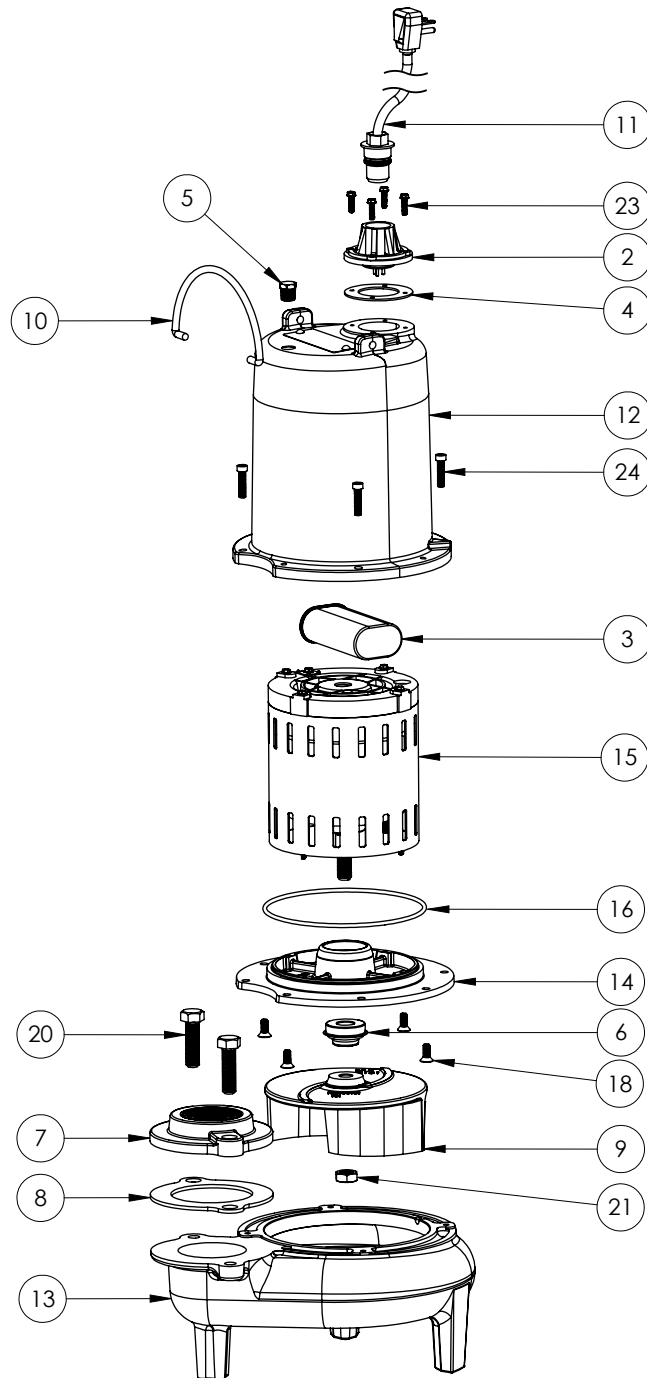


LE102M2-2 (B62)



**LE102M2-2****LE102M2-2 (B62)**

#	PART #	DESCRIPTION	QTY	Note
2	5014000	CORD PLATE	1	
3	51190F0	CAPACITOR	1	
4	5060000	CORD PLATE GASKET	1	
5	5071000	BRASS OIL PLUG	1	
6	K001717	KIT, 5/8 UNITIZED 5120000 AND LIP SEAL 5860000	1	
7	K001221	2" DISCHARGE KIT	1	
8	5129000	FLANGE GASKET, FITS 2" OR 3"	1	
9	K001486	5131000 IMPELLER KIT, INCLUDES 1/2" JAM NUT	1	
10	K001095	STAINLESS STEEL HANDLE	1	
11	K001059	POWER CORD, 230V, 25 FOOT CORD	1	
12	531400R	MOTOR COVER	1	[1]
13	531500R	VOLUTE HOUSING	1	
14	53260B0	MOTOR PLATE	1	[1]
15	5332000	MOTOR	1	[1]
16	5617000	O-RING	1	
18	8018000	1/4-20 x 5/8 SLOTTED FLAT HEAD BOLT	4	
20	8037000	1/2-13 x 1-3/4 STAINLESS STEEL BOLT	2	
21	8046000	1/2-20 HEX STAINLESS STEEL JAM NUT	1	
23	8064000	#8-32 x 5/8 HEX WASHER HEAD SCREW	4	
24	8091000	1/4-20 x 1 HEX SOCKET HEAD BOLT		

**PART NOTES:**

[1] - Part requires factory authorized service. Contact Liberty Pumps at 1-800-543-2550