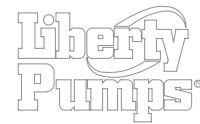
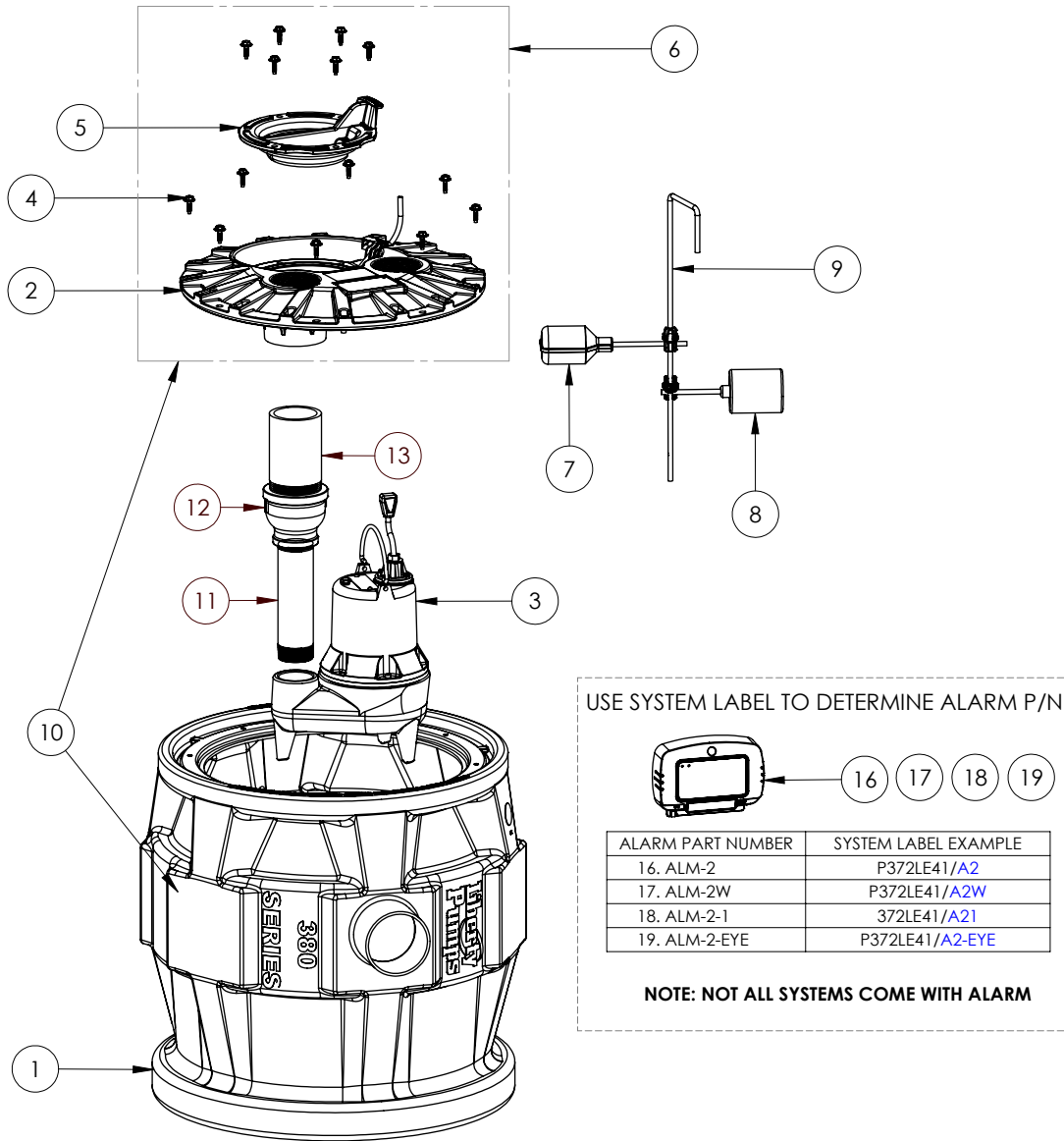


P383LE51 (B94)



P383LE51

P383LE51 (B94)

| # | PART # | DESCRIPTION | QTY | Note |
|----|-------------------------------|---|-----|------|
| 1 | K001110 | PRO380 SERIES 24" BASIN | 1 | |
| 2 | 50350A0 | 3X3 COVER, 8 BOLTS, FOR PVC PIPE | 1 | |
| 3 | LE51M | 1/2 HP SEWAGE PUMP 115V, 10' POWER CORD | 1 | |
| 4 | K001162 | COVER HARDWARE, WASHER HEAD HEX SCREWS 14 INCLUDED IN KIT | 1 | |
| 5 | K001233 | INSPECTION COVER, INCLUDES MOUNTING SCREWS (6) | 1 | |
| 6 | K001102 | 3X3 COVER ASSEMBLY | 1 | |
| 7 | Pro Series Alarm switch (B94) | REPLACEMENT SWITCH BASED ON SYSTEM LABEL | 1 | [1] |
| 8 | K001054 | 61130A0 PUMP SWITCH, 10' 115V | 1 | |
| 9 | K001123 | QUICKTREE KIT, ROD & CLAMPS ONLY | 1 | |
| 10 | K001130 | P383 TANK AND 3 COVER ASSEMBLY | 1 | |
| 11 | 40400A0 | 2" SCH80 PVC PIPE | 1 | |
| 12 | 4016000 | 3X2 REDUCER, STEEL COUPLING | 1 | |
| 13 | 40660D0 | 3" SCH80 PVC PIPE | 1 | |
| 16 | ALM-2 | ALARM 115V SWT-ACTV 20' | 1 | |
| 17 | ALM-2W | 115V ALARM, WEATHERPROOF | 1 | |
| 18 | ALM-2-1 | ALARM 115V 10FT CORD | 1 | |
| 19 | ALM-2-EYE | ALARM 115V SWT-ACTV 20' NIGHTEYE | 1 | |
| 20 | K001134 | FLOAT SWITCH, 20FT CORD, INCLUDES 1 SWITCH PER KIT | 1 | |
| 21 | K001566 | KIT, SWITCH PILOT DUTY, 10' 3-PIN | 1 | |
| 22 | K001569 | KIT, SWITCH PILOT DUTY, 20' 3-PIN | 1 | |

PART NOTES:

[1] - **NOTE**

ALARM SWITCH KITS

For /A2 Suffix of model number use Part No. K001569

For /A21 Suffix of model number use Part No. K001566

For /A2W Suffix of model number use Part No. K001134

For /A2-EYE Suffix of model number use Part No. K001569