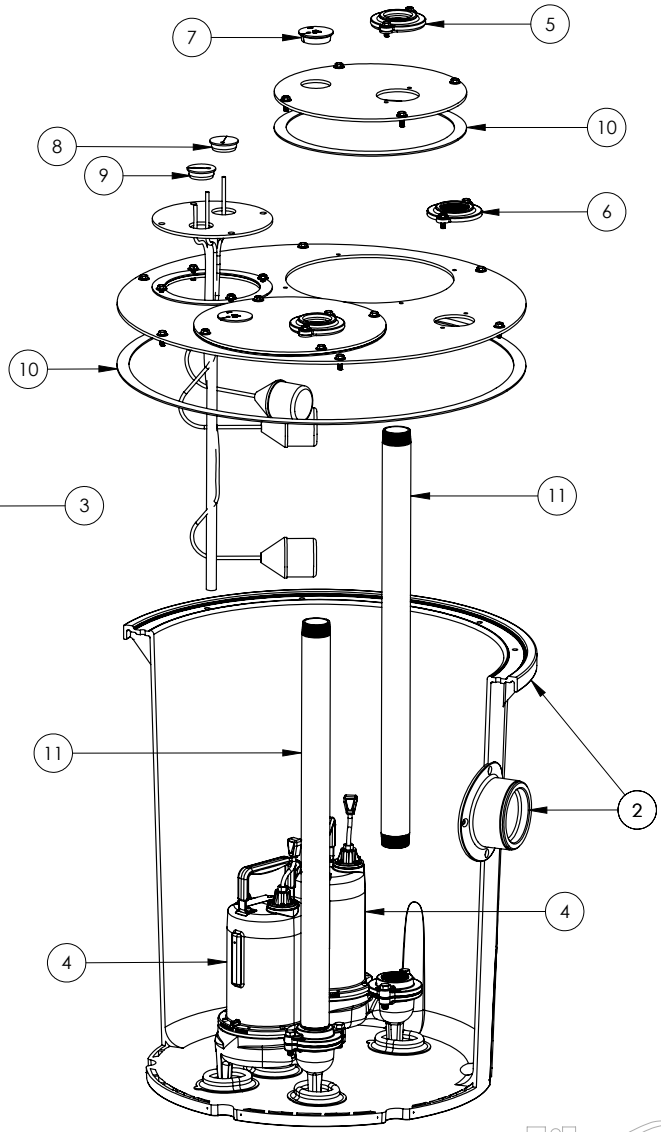
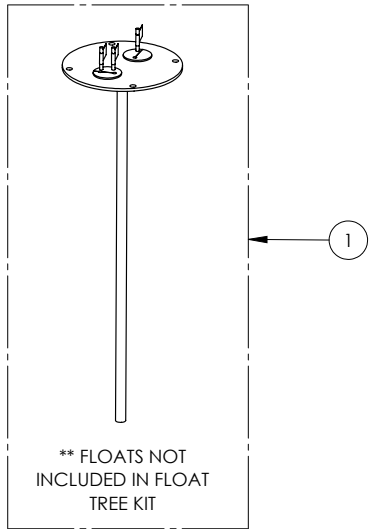
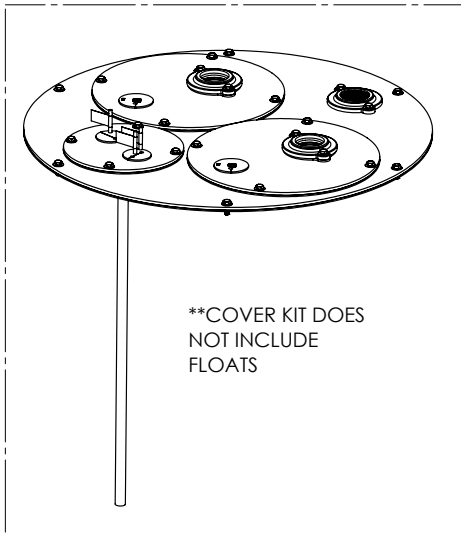


1100 SERIES

1102/LE72M-2 (B10)



1100 SERIES**1102/LE72M-2 (B10)**

#	PART #	DESCRIPTION	QTY	Note
1	K001203	10" INSPECTION COVER WITH FLOAT TREE (FLOATS NOT INCLUDED)	1	
2	K001202	30" X 36" BASIN, WITH CAST IRON INLET HUB	1	
3	K001200	1100 COVER KIT 2" DISCH 2" VENT	1	
4	LE72M2-2	3/4 HP SEWAGE PUMP 208-230V 25" POWER CORD	2	
5	K001389	2" DISCHARGE FLANGE KIT	2	
6	K001390	2" VENT FLANGE KIT	1	
7	4508000	2 1/2" STOPPER - SINGLE 5/16" HOLE	2	
8	45480A0	SINGLE HOLE STOPPER	1	
9	45480B0	2" DOUBLE HOLE STOPPER	1	
10	45220C0	GASKET TAPE	1	
11	4068000	NIPPLE 2x36 PVC SCH 80	2	

1102/LE72M-2 (B10)