



# 3" GFK & GFV Series

REPAIR PARTS

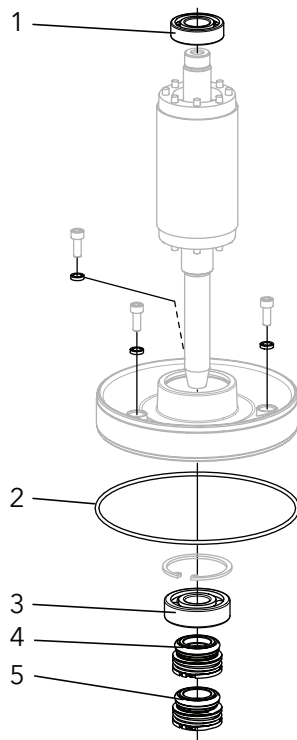
## Wastewater

### MOTOR KITS

**Contents:** The motor kit contains all of the parts that are needed to perform an overhaul of the motor.

**NOTE:** Does not include motor. Motor rewind should be done by your closest Xylem/Flygt service center.

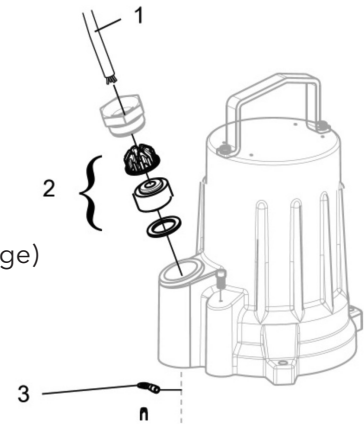
1. Upper ball bearing
2. O-ring
3. Lower ball bearing
4. Upper mechanical seal
5. Lower mechanical seal



### CABLE KITS

**Contents:** The cable kit contains all of the parts that are needed to replace a cable.

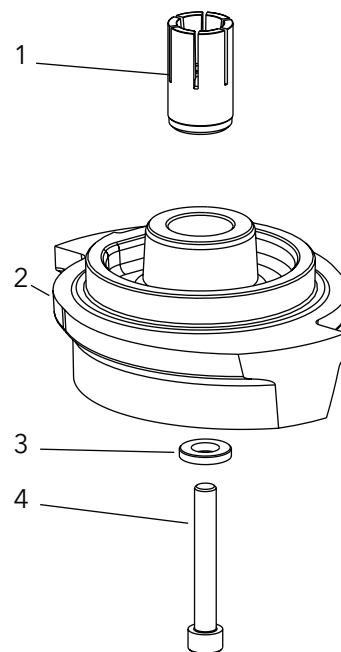
1. Cable
2. Cable entry unit
3. Cable lug
4. Closed-end splice (not shown in the image)



### IMPELLER KITS

**Contents:** The impeller kit contains all of the parts that are needed to replace the impeller, including the adjustable sleeve.

1. Sleeve unit or key
2. Impeller
3. Plain washer
4. Hexagon socket head screw



| <b>GWT Part No.</b> | <b>Motor Kit</b> | <b>Cable Kit</b> | <b>Impeller Kit</b>          |
|---------------------|------------------|------------------|------------------------------|
| 3GFK38T             | 7272500          | 7806240          | 7816241                      |
| 3GFK64R             | 7272600          | 7806241          | 7816340                      |
| *3GFV64P            | 7272600          | 7806241          | 7330944 Impeller             |
|                     |                  |                  | 7226400 Clamping Sleeve      |
|                     |                  |                  | 820053 Hex Socket Head Screw |
| **3GFV95N           | 7272700          | 7806243          | 7827604 Impeller             |
|                     |                  |                  | 7827200 Clamping Sleeve      |
|                     |                  |                  | 3381308 Plain Washer         |
|                     |                  |                  | 820053 Hex Socket Head Screw |
| **3GFK95M           | 7272700          | 7806243          | 7827391 Impeller             |
|                     |                  |                  | 7827200 Clamping Sleeve      |
|                     |                  |                  | 3381308 Plain Washer         |
|                     |                  |                  | 820053 Hex Socket Head Screw |
| 3GFK11L             | 7272700          | 7806243          | 7816445                      |

\* Must buy Impeller Kit items separately for this size. Impeller washer not needed on this size.

\*\* Must buy Impeller Kit items separately for this size.

# Xylem |'zīləm|

- 1) The tissue in plants that brings water upward from the roots;
- 2) a leading global water technology company.

We're a global team unified in a common purpose: creating advanced technology solutions to the world's water challenges. Developing new technologies that will improve the way water is used, conserved, and re-used in the future is central to our work. Our products and services move, treat, analyze, monitor and return water to the environment, in public utility, industrial, residential and commercial building services settings. Xylem also provides a leading portfolio of smart metering, network technologies and advanced analytics solutions for water, electric and gas utilities. In more than 150 countries, we have strong, long-standing relationships with customers who know us for our powerful combination of leading product brands and applications expertise with a strong focus on developing comprehensive, sustainable solutions.

**For more information on how Xylem can help you, go to [www.xylem.com](http://www.xylem.com)**



Xylem Inc.  
Phone: (866) 325-4210  
Fax: (888) 322-5877  
[www.xylem.com/goulds](http://www.xylem.com/goulds)

Goulds is a registered trademark of Goulds Pumps, Inc. and is used under license.  
© 2020 Xylem Inc. R3GFKV February 2020