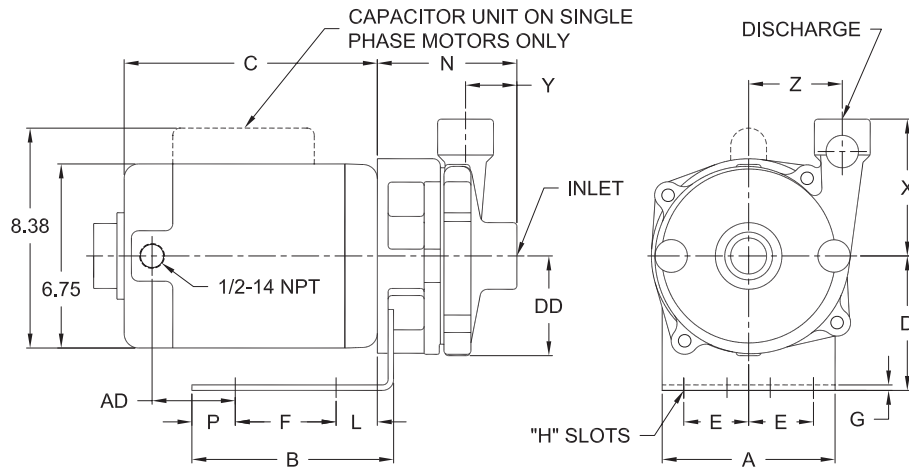


Close-Coupled End Suction, Threaded Connections

PUMP NO.	PUMP:	MOTOR:	VOLTS:
FOR:	TDH:	HP:	HZ:
CERT. BY:	GPM:	RPM:	FRAME:
DATE:	ROTATION:	PHASE:	
	FIGURE NO:	ENCLOSURE:	



Connections - American Standard Taper Pipe Threads

Pump	Dis. (NPT)	Inlet (NPT)	N	X	Y	Z	DD
4AC	1	1.25	4.88	4.75	1.75	3.25	3.38
4AE	1	1.5	5.25	5.00	2.50	4.00	4.25
6AC	1.5	2	5.50	5.00	2.63	3.75	4.25
6AE	1.5	2	5.50	5.00	2.63	4.00	4.50
8AC	2	2.5	5.75	5.50	2.75	4.00	4.38

1750 RPM

Motor Frame	A	B	C	D	E	F	G	H	L	P	AD
3 S	6.00	6.00	9.00	4.88	1.50	3.00	.19	.40 x 1.50	1.13	1.50	2.00
3 P			8.00								1.00
5 S			9.38								2.38
5 P			9.00								2.00
7 S			10.13								3.13
7 P			9.00								2.00
10 S			10.63								3.63
10 P			9.38								3.13

3500 RPM

3 S	6.00	6.00	7.75	4.88	1.50	3.00	.19	.40 x 1.50	1.13	1.50	0.75
3 P			7.75								0.75
5 S			8.00								1.00
5 P			7.75								0.75
7 S			9.00								2.00
7 P			9.00								2.00
10 S			9.38								2.38
10 P			9.00								2.00
15 S			10.13								3.13
15 P			9.00								2.00
20 S			10.13								3.13
20 P			9.38								2.38

Models "AC & AE" Unipumps

with NEMA Type "56J" motor

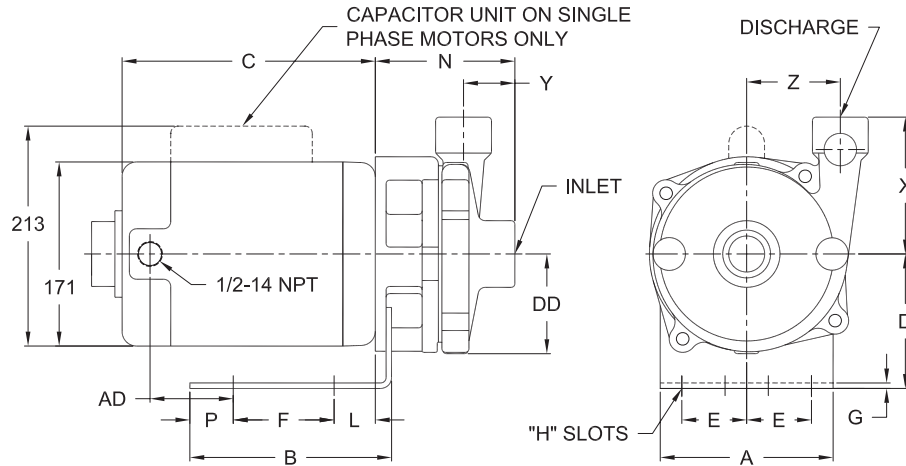
Metric (mm)



www.cranepumps.com

Close-Coupled End Suction, Threaded Connections

PUMP NO.	PUMP:	MOTOR:	VOLTS:
FOR:	TDH:	HP:	HZ:
CERT. BY:	GPM:	RPM:	FRAME:
DATE:	ROTATION:	PHASE:	
	FIGURE NO:	ENCLOSURE:	



Connections - American Standard Taper Pipe Threads

Pump	Dis. (NPT)	Inlet (NPT)	N	X	Y	Z	DD
4AC	1	1.25	124	121	44	83	86
4AE	1	1.5	133	127	64	102	108
6AC	1.5	2	140	127	67	95	108
6AE	1.5	2	140	127	67	102	114
8AC	2	2.5	145	140	70	102	111

1750 RPM

Motor Frame	A	B	C	D	E	F	G	H	L	P	AD
3 S	152	152	229	124	38	76	5	.40 x 1.50	29	38	51
3 P			203								24
5 S			238								60
5 P			229								51
7 S			257								80
7 P			229								51
10 S			270								92
10 P			238								80

3500 RPM

3 S	152	152	197	124	38	76	5	.40 x 1.50	29	38	19
3 P			197								19
5 S			203								25
5 P			197								19
7 S			229								51
7 P			229								51
10 S			238								60
10 P			229								51
15 S			257								80
15 P			229								51
20 S			257								80
20 P			238								60

SECTION 100
PAGE 6
DATE 3/10



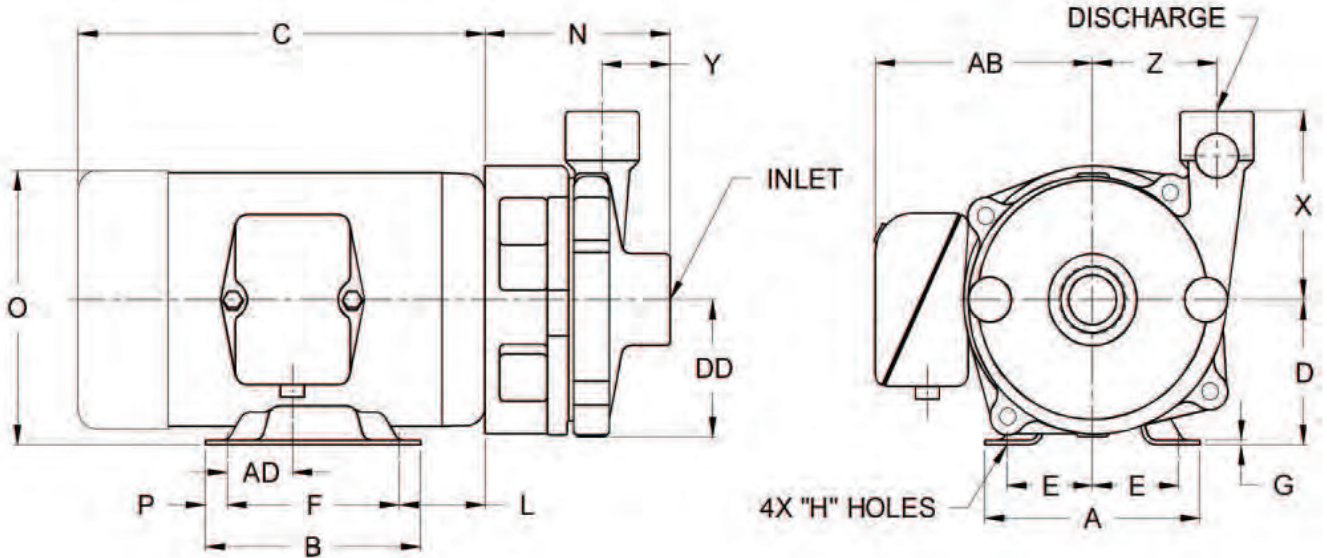
A Crane Co. Company

PUMPS & SYSTEMS

USA: (937) 778-8947 • Canada: (905) 457-6223 • International: (937) 615-3598

Close-Coupled End Suction, Threaded Connections

PUMP NO.		PUMP:	MOTOR:	VOLTS:
FOR:		TDH:	HP:	HZ:
CERT. BY:		GPM:	RPM:	FRAME:
DATE:		ROTATION:	PHASE:	
		FIGURE NO:	ENCLOSURE:	



Connections - American Standard Taper Pipe Threads							
Pump	Dis. (NPT)	Inlet (NPT)	N	X	Y	Z	DD
4AE	1	1.5	6.88	5.00	2.50	4.00	4.25
6AC	1.5	2	7.12	5.00	2.63	3.75	4.25
6AE	1.5	2	7.12	5.00	2.63	4.00	4.50
8AC	2	2.5	7.38	5.50	2.75	4.00	4.38

3500 RPM													
Motor Frame	A	B	C	D	E	F	G	H	L	O	P	AD	AB
30 S	9.00	5.75	10.88	4.50	3.75	4.50	.50	.40	3.63	9.00	.63	2.25	8.50
30 P	7.00	6.00	10.13	3.50	2.75	5.00	.38	.34	2.88	7.00	.50	2.50	5.75
50 S	9.00	6.75	11.88	4.50	3.75	5.50	.50	.40	3.63	9.00	.63	2.25	8.50
50 P		5.75	10.88			4.50							8.12
75 P		6.75	11.88			5.50							8.12
100 P	10.50	7.00	13.38	5.25	4.25	5.50	.50	.40	4.50	10.63	0.75	2.75	8.75
150 P		8.50	14.88			7.00						3.50	

Models "AC & AE" Unipumps

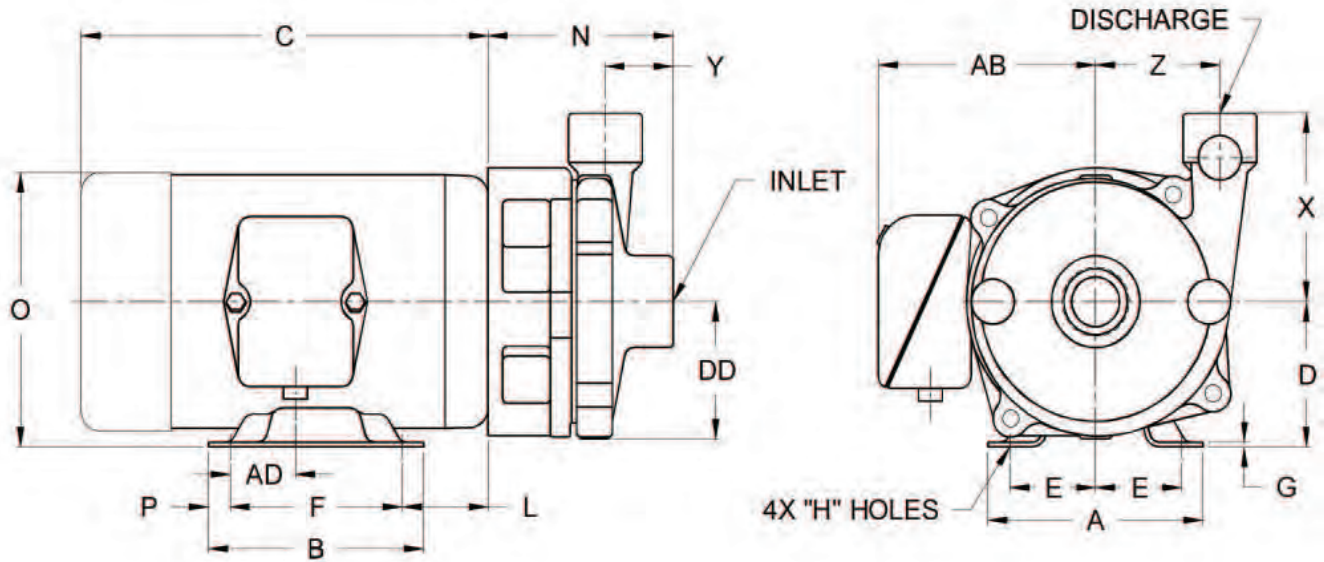
with NEMA Type "JM" motor
Metric (mm)

WEINMAN®

www.cranepumps.com

Close-Coupled End Suction, Threaded Connections

PUMP NO.	PUMP: TDH: GPM: ROTATION: FIGURE NO:	MOTOR: HP: RPM: PHASE: ENCLOSURE:	VOLTS: HZ: FRAME:
FOR:			
CERT. BY:	DATE:		



Connections - American Standard Taper Pipe Threads

Pump	Dis. (NPT)	Inlet (NPT)	N	X	Y	Z	DD
4AE	1	1.5	175	127	64	102	108
6AC	1.5	2	181	127	67	95	108
6AE	1.5	2	181	127	67	102	114
8AC	2	2.5	187	140	70	102	111

3500 RPM

Motor Frame	A	B	C	D	E	F	G	H	L	O	P	AD	AB
30 S	229	146	276	114	95	114	13	10	92	229	16	57	216
30 P	178	152	257	89	70	127	10	9	73	178	13	64	146
50 S	229	171	302	114	95	140	13	10	92	229	16	57	216
50 P		146	276			114							206
75 P		171	302			140							
100 P	267	178	340	133	108	178			114	270	19	70	222
150 P		216	378									89	

SECTION 100
PAGE 8
DATE 3/10

CRANE®

PUMPS & SYSTEMS

A Crane Co. Company

USA: (937) 778-8947 • Canada: (905) 457-6223 • International: (937) 615-3598