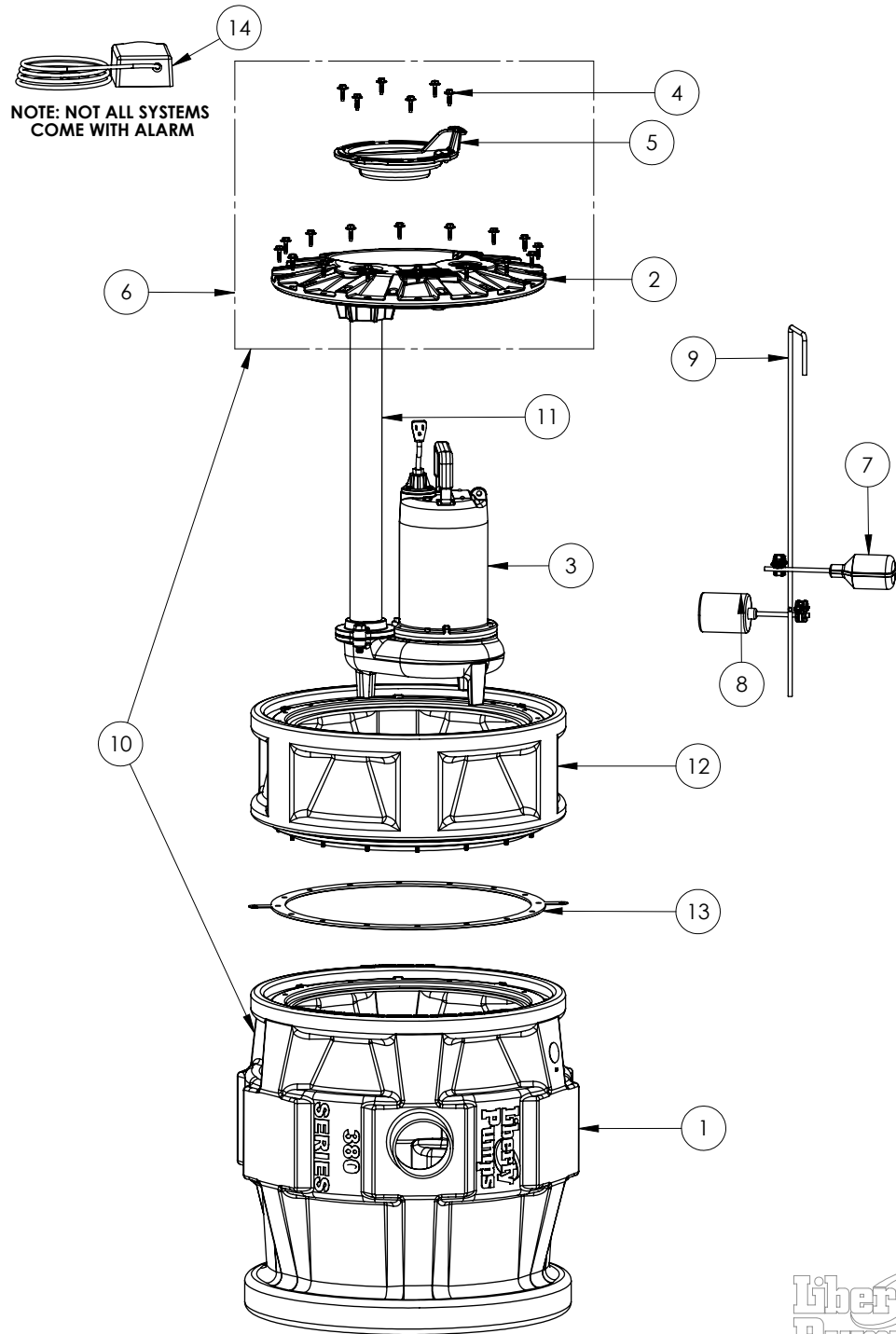


P382X8XLE102 (B10)



P382X8XLE102 (B10)

| # | PART # | DESCRIPTION | QTY | Note |
|----|-------------------------------|--|-----|------|
| 1 | K001133 | 380XL TANK 16 BOLTS | 1 | |
| 2 | 50340B0 | 2X2 COVER, 16 BOLT | 1 | |
| 3 | LE102M2 | 1 HP SEWAGE PUMP 208-230V 10' POWER CORD | 1 | |
| 4 | 8155000 | WASHER HEAD HEX SCREW | 22 | |
| 5 | K001233 | INSPECTION COVER, INCLUDES MOUNTING SCREWS (6) | 1 | |
| 6 | K001127 | 2X2 COVER ASSEMBLY, 16 BOLT, PVC | 1 | |
| 7 | Pro Series Alarm switch (B10) | REPLACEMENT SWITCH BASED ON SYSTEM LABEL | 1 | [1] |
| 8 | K001019 | 61140A0 PUMP SWITCH, 10' 230V, INCLUDES MOUNTING HARDWARE | 1 | |
| 9 | K001394 | EXTENSION QUICK TREE KIT, ROD AND CLAMPS ONLY | 1 | |
| 10 | K001137 | P382XL TANK AND COVER | 1 | |
| 11 | K001290 | 2" SHC80 PVC PIPE FOR PRO TANK W/ EXTENSION | 1 | |
| 12 | X8 | EXTENSION KIT, INCLUDES EXT BASIN,PIPE, BOLTS AND QUICK TREE SUPPORT | 1 | [2] |
| 13 | 45990A0 | GASKET MOLDED 20CVR SOFT | 1 | |
| 14 | SEE NOTE FOR ALARM | ALARM ONLY | | [3] |
| 15 | K001019 | 61140A0 PUMP SWITCH, 10' 230V, INCLUDES MOUNTING HARDWARE | 1 | |
| 16 | K001431 | 61140B0 PUMP SWITCH, 25' 230V | 1 | |
| 17 | K001134 | FLOAT SWITCH, 20FT CORD, INCLUDES 1 SWITCH PER KIT | 1 | |
| 18 | K001415 | 60050D0 SWITCH, 10' PILOT DUTY PIGTAIL | 1 | |

PART NOTES:

- [1] - ****NOTE****
 ALARM SWITCH KITS
 For /A2 Suffix of model number use Part No. K001134
 For /A21 Suffix of model number use Part No. K001415
 For /A2W Suffix of model number use Part No. K001134
- [2] - To view PROSERIES X8 EXTENSION KIT click here
- [3] - ALARM PRO SERIES
 FORA2 SUFFIX OF MODEL
 NUMBER: USE PART NO 6225000
 FORA2W SUFFIX OF MODEL
 NUMBER: USE PART NO 6226000
 FORA21 SUFFIX OF MODE
 NUMBER: USE PART NO 6242000
 Part requires factory authorized service. Contact Liberty Pumps at 1-800-543-2550