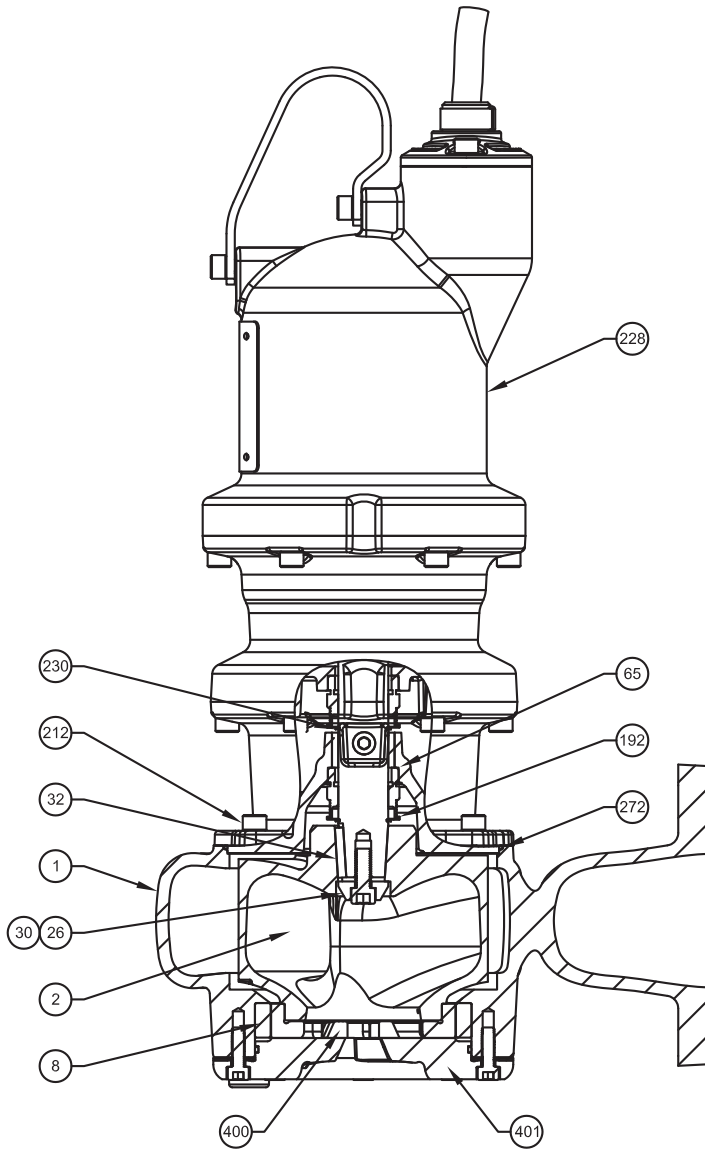


Demersible Chopper Pumps



Item No.	Name of Part	Material	Item No.	Name of Part	Material
1	Casing	Cast Iron	192	Retaining Ring	15-7 PH, SS
2	Impeller	Ductile Iron	212	Cap Screw	18-8 SS
8	Wear Ring	Lead Free Bronze	228	Motor	
26	Impeller Cap Screw	18-8 SS	230	Spring Pin	420 SS
30	Impeller Washer	18-8 SS	272	"O" Ring	Buna-N
32	Impeller Key	303 SS	400	Slicer Blade	Stainless 440C
65	Lower Mechanical Seal	B/SC/SC	401	Striker Plate	Stainless 440C
N.S.	Upper Mechanical Seal	B/C/CE			



WARNING:
 CANCER AND REPRODUCTIVE HARM -
WWW.P65WARNINGS.CA.GOV