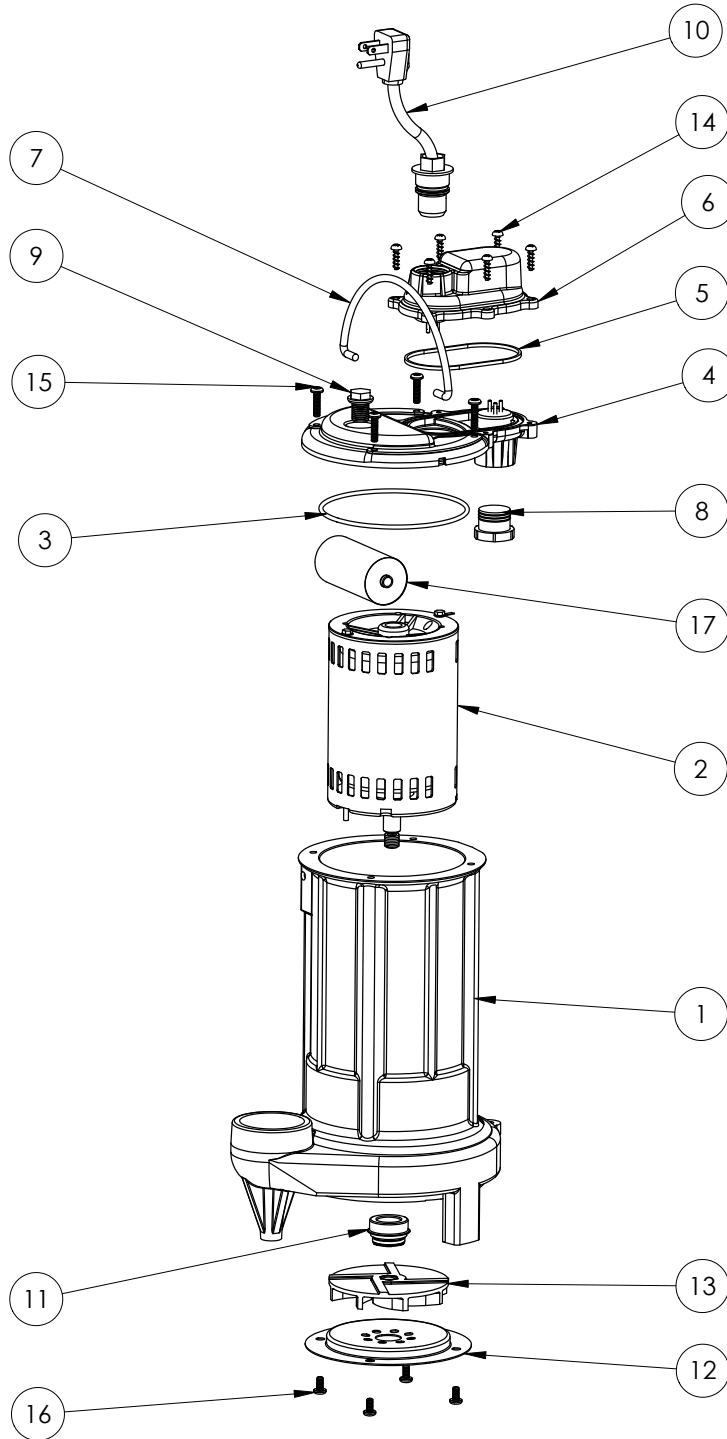


280HV-2 (B11)



**280HV-2****280HV-2 (B11)**

| #  | PART #  | DESCRIPTION                           | QTY | Note |
|----|---------|---------------------------------------|-----|------|
| 1  | 25160AG | CAST IRON HOUSING WITH HOLE           | 1   |      |
| 2  | 2522000 | MOTOR, .5HP 230V                      | 1   | [1]  |
| 3  | 2357000 | O-RING                                | 1   | [1]  |
| 4  | 240600G | MOTOR COVER, GREY                     | 1   |      |
| 5  | K001046 | SEALRING, CHAMBER COVER               | 1   |      |
| 6  | 240700G | CHAMBER COVER, GREY                   | 1   |      |
| 7  | K001082 | HANDLE                                | 1   |      |
| 8  | 8105000 | PROTECTIVE CAP                        | 1   |      |
| 9  | 8089000 | OIL PLUG, O-RING ASSEMBLY             | 1   |      |
| 10 | K001059 | POWER CORD, 230V, 25 FOOT CORD        | 1   |      |
| 11 | 5098000 | 1/2 INCH UNITIZED SEAL                | 1   |      |
| 12 | 2414000 | 280 SERIES STAMPING INLET             | 1   |      |
| 13 | K001091 | 280 SERIES IMPELLER KIT               | 1   |      |
| 14 | 8104200 | #10 HILO X 5/8" STAINLESS STEEL SCREW | 6   |      |
| 15 | 8072000 | #10 - 24 x 3/4" SCREW                 | 4   |      |
| 16 | 8092000 | #10 - 24 x 3/8" SCREW                 | 4   |      |
| 17 | 2521000 | CAPACITOR                             | 1   |      |

**PART NOTES:**

[1] - Part requires factory authorized service. Contact Liberty Pumps at 1-800-543-2550