

Accessory Flange Information, Specification, and Repair Parts Manual

Description:

Inline circulator accessory flanges are designed for use with inline circulator pumps. Flanges provide a means to connect pump to piping system. Flanges are female NPT threaded. Flange sets are available in either cast iron or bronze construction with Buna-N gaskets. Bolts, washers, and nuts are included.

IMPORTANT: Reference pump manual 5690-250-00, and general safety manual 1808-634-00 for additional installation and safety information.

WARNING *Follow all safety and installation guidelines described in manuals 1808-634-00 and 5690-250-00.*

Specifications:

Model No.	NPT-F	Flange	Gasket	Hardware	Weight (lbs)	Pump Series
C569-90	¾"	Cast Iron	Buna-N	Plated Steel	3.0	5690-95
C569-91	1"	Cast Iron	Buna-N	Plated Steel	3.0	5690-95
C569-92	1-1/4"	Cast Iron	Buna-N	Plated Steel	3.0	5690-95
C569-93	¾"	Bronze	Buna-N	Plated Steel	3.5	5690-97
C569-94	1"	Bronze	Buna-N	Plated Steel	3.5	5690-97
C569-95	1-1/4"	Bronze	Buna-N	Plated Steel	3.5	5690-97
C570-90	¾"	Cast Iron	Buna-N	Plated Steel	3.0	5700-95 & 5710-95
C570-91	1"	Cast Iron	Buna-N	Plated Steel	3.0	5700-95 & 5710-95
C570-92	1-1/4"	Cast Iron	Buna-N	Plated Steel	3.0	5700-95 & 5710-95
C570-93	1-1/2"	Cast Iron	Buna-N	Plated Steel	3.0	5700-95 & 5710-95
C570-94	¾"	Bronze	Buna-N	Plated Steel	3.5	5700-97 & 5710-97
C570-95	1"	Bronze	Buna-N	Plated Steel	3.5	5700-97 & 5710-97
C570-96	1-1/4"	Bronze	Buna-N	Plated Steel	3.5	5700-97 & 5710-97
C570-97	1-1/2"	Bronze	Buna-N	Plated Steel	3.5	5700-97 & 5710-97

Installation:

1. Install flanges (Ref. No. 1) on piping using Teflon tape or pipe sealant.
2. Insert gasket (Ref. No. 2) into machined groove in pump flange.
3. Position pump by lining up bolt holes on pump flange with bolt holes on pipe flange.

CAUTION *Do not spring the suction or discharge piping into position. This will result in excessive strain in the piping, flanges, and pump casing.*

4. Install 4 hex head bolts (Ref. No. 3), nuts (Ref. No. 5), and washers (Ref. No. 4). Torque both flange bolts in even increments to a value of 175 in-lbs (2.0 Kg-m). Torque the bolts in both the suction and discharge flanges in this manner.

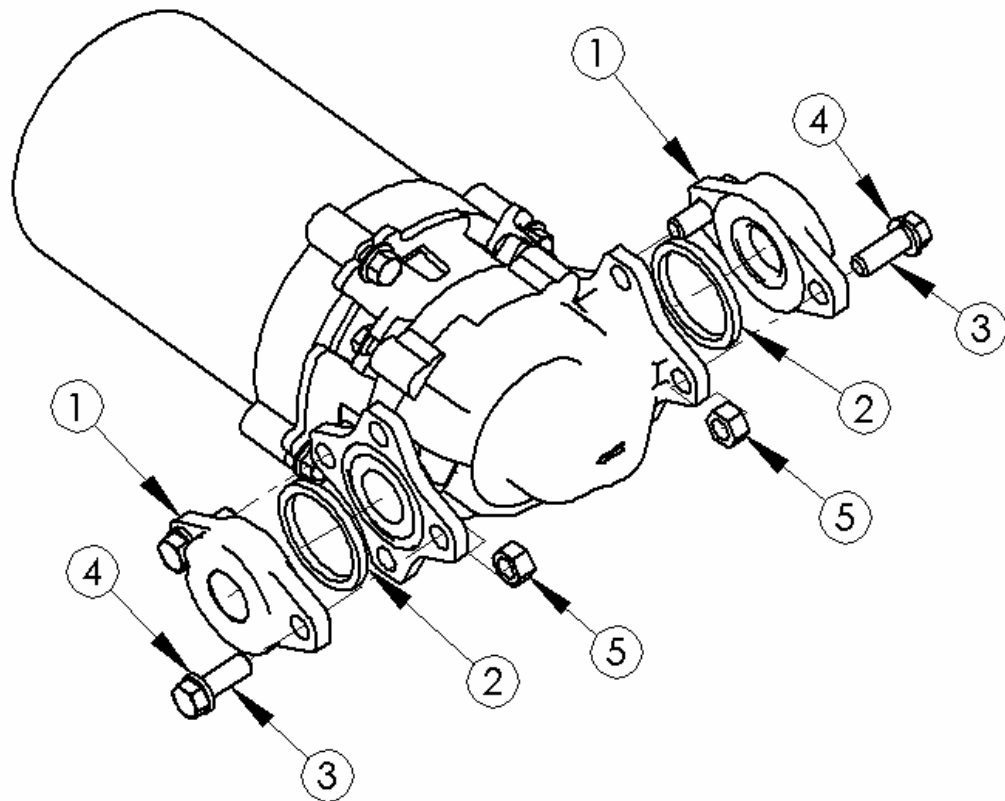


Figure 1 – Repair Parts Illustration

Repair Parts List

Ref No	Description	Models		Qty
		C569-90 to C690-95	C570-90 to C570-97	
1	Flange	N/A	N/A	2
2	(†) Gasket	5690-300-KT	5700-300-KT	1
3	7/16-14x1-1/4" Hex bolt	*	*	4
4	7/16 Washer	*	*	4
5	7/16-14 Hex nut	*	*	4

(* Standard hardware item, available locally

(†) Includes two flange gaskets and all required pump seals (see manual 5690-250-00).