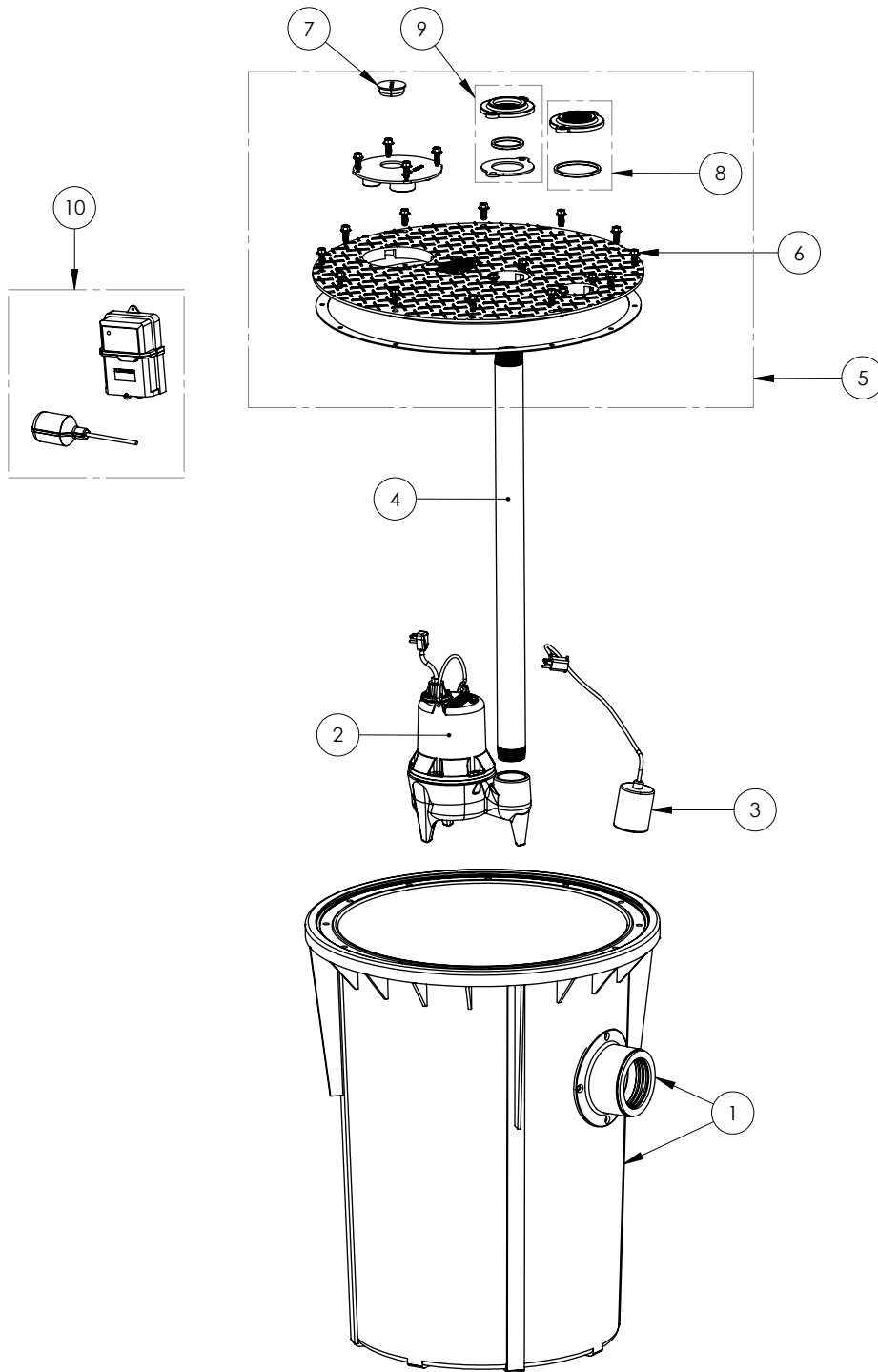


700 SERIES

702 LE41A A2W (B10)



700 SERIES**702 LE41A A2W (B10)**

| # | PART # | DESCRIPTION | QTY | Note |
|----------|---------------|---------------------------------------------|------------|-------------|
| 1 | K001199 | 700 SERIES TANK AND CAST IRON HUB KIT | 1 | |
| 2 | LE41A | 4/10 HP 2" SOLIDS HANDLING SEWAGE PUMP | 1 | |
| 3 | K001001 | PUMP SWITCH KIT, INCLUDES MOUNTING HARDWARE | 1 | |
| 4 | 4068000 | NIPPLE 2x36 PVC SCH 80 | 1 | |
| 5 | K001454 | KIT COVER ASSEMBLY | 1 | |
| 6 | 1176000 | SCREW FLANGE HEAD 3/8"-16 | 20 | |
| 7 | 45480B0 | 2" DOUBLE HOLE STOPPER | 1 | |
| 8 | K001390 | 2" VENT FLANGE KIT | 1 | |
| 9 | K001389 | 2" DISCHARGE FLANGE KIT | 1 | |
| 10 | ALM-2W | 115V ALARM, WEATHERPROOF | 1 | |

702_LE41A_A2W (B10)

702_LE41A_A2W (B10)

PAGE