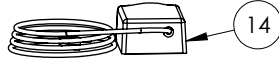
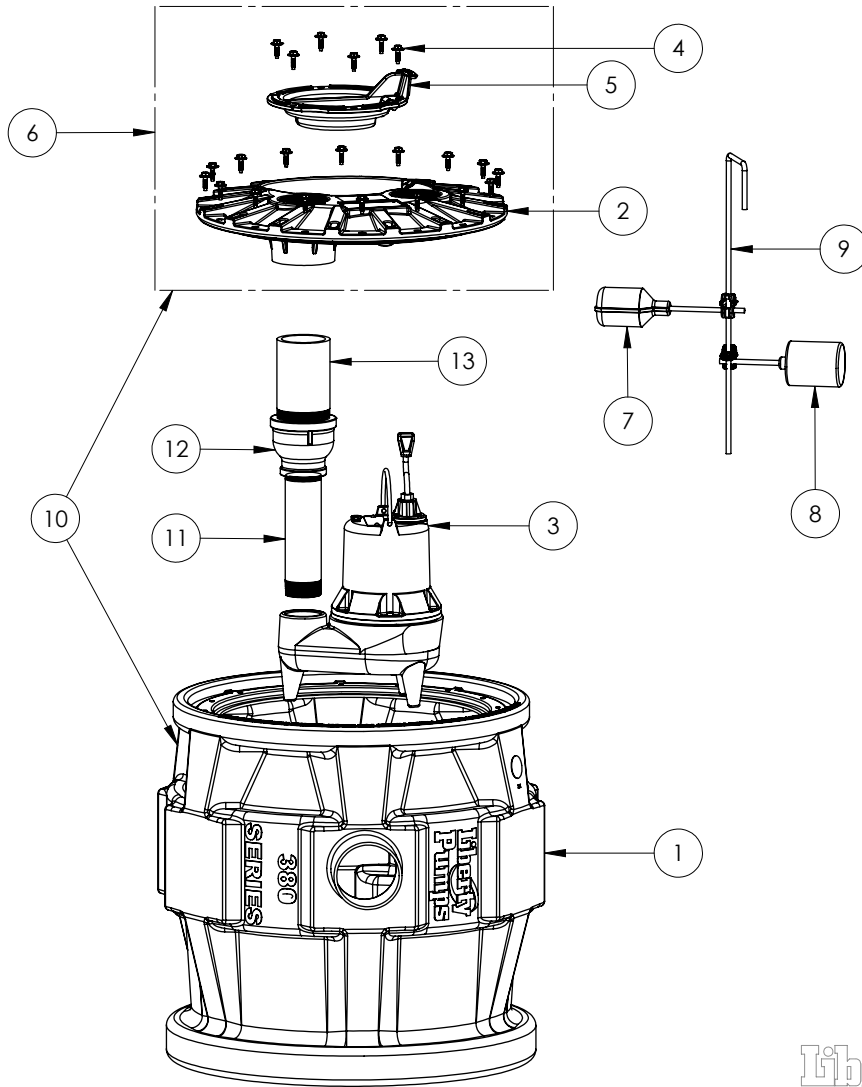


P383XLE41 (B10)



NOTE: NOT ALL SYSTEMS
COME WITH ALARM



P383XLE41 (B10)

#	PART #	DESCRIPTION	QTY	Note
1	K001133	380XL TANK 16 BOLTS	1	
2	50350B0	3X3 COVER, 16 BOLT	1	
3	LE41M	4/10 HP SEWAGE PUMP 115V, 10' POWER CORD	1	
4	8155000	WASHER HEAD HEX SCREW	1	
5	K001233	INSPECTION COVER, INCLUDES MOUNTING SCREWS (6)	1	
6	K001128	3X3 COVER ASSEMBLY, 16 BOLT	1	
7	Pro Series Alarm switch (B10)	REPLACEMENT SWITCH BASED ON SYSTEM LABEL	1	[1]
8	K001054	61130A0 PUMP SWITCH, 10' 115V	1	
9	K001123	QUICKTREE KIT, ROD & CLAMPS ONLY	1	
10	K001138	P383XL TANK AND COVER 10'ST	1	
11	40400A0	2" SCH80 PVC PIPE	1	
12	4016000	3X2 REDUCER, STEEL COUPLING	1	
13	40660D0	3" SCH80 PVC PIPE	1	
14	SEE NOTE FOR ALARM	ALARM ONLY		[2]
15	K001054	61130A0 PUMP SWITCH, 10' 115V	1	
16	K001144	61130B0 PUMP SWITCH, 25' 115V	1	
17	K001134	FLOAT SWITCH, 20FT CORD, INCLUDES 1 SWITCH PER KIT	1	
18	K001415	60050D0 SWITCH, 10' PILOT DUTY PIGTAIL	1	

PART NOTES:

[1] - **NOTE**

ALARM SWITCH KITS

For /A2 Suffix of model number use Part No. K001134

For /A21 Suffix of model number use Part No. K001415

For /A2W Suffix of model number use Part No. K001134

[2] - ALARM PRO SERIES

FORA2 SUFFIX OF MODEL

NUMBER: USE PART NO 6225000

FORA2W SUFFIX OF MODEL

NUMBER: USE PART NO 6226000

FORA21 SUFFIX OF MODE

NUMBER: USE PART NO 6242000

Part requires factory authorized service. Contact Liberty Pumps at 1-800-543-2550