

# MYERS® 3WHV SERIES

The Myers® 3WHV series pumps feature a specially engineered, non-clogging design. The all cast iron construction stands tough in the most demanding commercial installations. Its 2-1/2" solids-handling capacity make it ideal for retail, multi-family housing, food venues, health care facilities, trailer parks and more.

## APPLICATIONS

Sewage, high-capacity sump, effluent

## SPECIFICATIONS

**Capacities** – Up to 400 GPM (1,511 LPM)  
**Shut-off Head** – Up to 48' (14.6 m)  
**Operation** – Manual  
**Solids Handling** – 2-1/2" (63.5 mm)  
**Liquids Handling** – Raw unscreened sewage, rain water, effluent  
**Intermittent Liquid Temperature** – Up to 140°F (60°C)  
**Motor/Electrical Data** – 1-1/2 - 5 HP, 1750 RPM; 230V, 1Ø, 60Hz; 208/230/460/575V, 3Ø, 60Hz  
**Acceptable pH Range** – 6-9  
**Discharge** – 3" (flanged) (76.2 mm)  
**Sump Diameter Duplex** – 60" (1.5 m)  
**Motor Housing** – Cast iron  
**Power Cord** – 25', SOW/SOW-A  
**Shaft Seal** – Single type 21, carbon and ceramic, tungsten carbide (optional)



## FEATURES

### High-flow Performance

Powerful and efficient pump design moves more water in medium-sized commercial installations

### Municipal Possibilities

Even performs well in smaller sewage collection systems and treatment plants

### Runs Cooler

Oil-filled motor for continuous bearing lubrication and maximum heat dissipation

### Rugged-built Durability

All cast iron construction resists the most extreme corrosive environments and delivers years of dependable service

### Full Range of Power

Models available in 1-1/2, 2, 3 and 5 HP

### Overload Protection

On-winding overload (single phase only) protects motor from over current and heat conditions

### Smooth, Trouble-free Operation

Non-clog impeller prevents stringy material from jamming pump – two-vane design increases efficiency

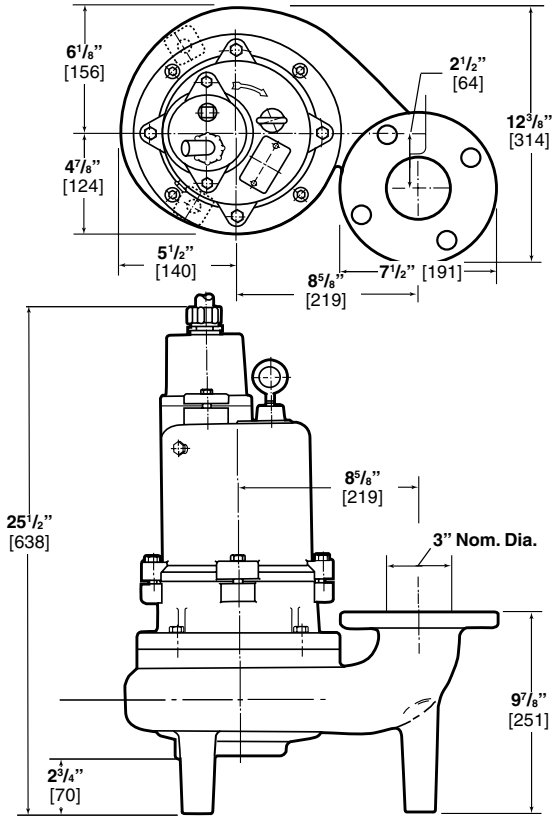
# MYERS® 3WHV SERIES

## ORDERING INFORMATION

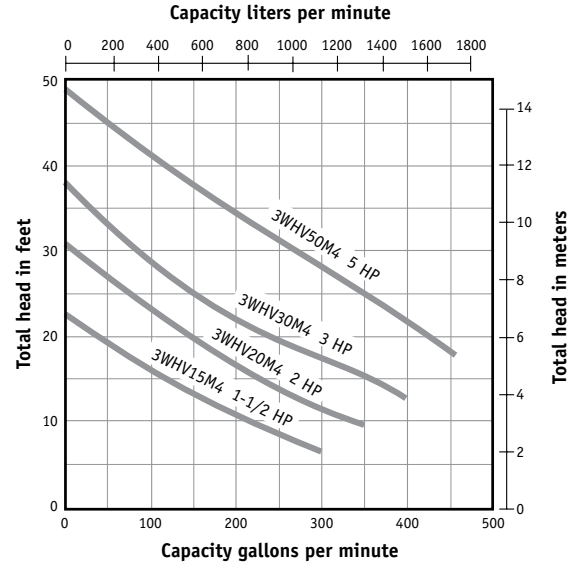
Catalog Number	HP	Volts	Phase/ Cycles	Discharge Size	Approx. Switch Type	Cord Length	Wt. Lbs.
3WHV10M4-21	1	230	1/60	3"	Manual	25'	170
3WHV10M4-03	1	200	1/60	3"	Manual	25'	170
3WHV10M4-23	1	230	1/60	3"	Manual	25'	170
3WHV10M4-43	1	460	1/60	3"	Manual	25'	170
3WHV10M4-53	1	575	1/60	3"	Manual	25'	170
3WHV15M4-21	1-1/2	230	1/60	3"	Manual	25'	170
3WHV15M4-03	1-1/2	200	1/60	3"	Manual	25'	170
3WHV15M4-23	1-1/2	230	1/60	3"	Manual	25'	170
3WHV15M4-43	1-1/2	460	1/60	3"	Manual	25'	170
3WHV15M4-53	1-1/2	575	1/60	3"	Manual	25'	170
3WHV20M4-01	2	200	1/60	3"	Manual	25'	170
3WHV20M4-21	2	230	1/60	3"	Manual	25'	170
3WHV20M4-03	2	200	1/60	3"	Manual	25'	170
3WHV20M4-23	2	230	1/60	3"	Manual	25'	170
3WHV20M4-43	2	460	1/60	3"	Manual	25'	170
3WHV20M4-53	2	575	1/60	3"	Manual	25'	170
3WHV30M4-21	3	230	1/60	3"	Manual	25'	170
3WHV30M4-03	3	200	1/60	3"	Manual	25'	170
3WHV30M4-23	3	230	1/60	3"	Manual	25'	170
3WHV30M4-43	3	460	1/60	3"	Manual	25'	170
3WHV30M4-53	3	575	1/60	3"	Manual	25'	170
3WHV50M4-21	5	230	1/60	3"	Manual	25'	170
3WHV50M4-03	5	200	1/60	3"	Manual	25'	170
3WHV50M4-23	5	230	1/60	3"	Manual	25'	170
3WHV50M4-43	5	460	1/60	3"	Manual	25'	170
3WHV50M4-53	5	575	1/60	3"	Manual	25'	170

# MYERS® 3WHV SERIES

## DIMENSIONS



## PUMP PERFORMANCE



# MYERS® 3WHV SERIES

## SPECIFICATIONS

**Pump Model** – Pump shall be Myers Model Number 3WHV Non-Clog Submersible Pump with 2 vane enclosed impeller. All openings in pump impeller and volute case to be large enough to pass a 2-1/2" diameter sphere. Discharge flange shall be three (3) inch standard.

**Operating Conditions** – Pump shall have a capacity of \_\_\_\_\_ GPM at a total head of \_\_\_\_\_ feet and shall use a \_\_\_\_\_ HP motor operating at \_\_\_\_\_ RPM.

**Motor** – Pump motor shall be of the sealed submersible type rated \_\_\_\_\_ HP at \_\_\_\_\_ RPM 60 Hertz. Motor shall be for single phase 230 volts \_\_\_\_\_ or three phase 200 volts \_\_\_\_\_ 230 volts \_\_\_\_\_ 460 volts \_\_\_\_\_ or 575 volts \_\_\_\_\_. Single phase motors shall be of capacitor start, capacitor run, NEMA L type. Three phase motors shall be NEMA B type.

Stator winding shall be of the open type with Class F inverter duty insulation good for 155°C (311°F) maximum temperature. Winding housing shall be filled with a clean high dielectric oil that lubricates bearings and seals and transfers heat from winding and rotor to outer shell. Air-filled motors which do not have the superior heat dissipating capabilities of oil-filled motors shall not be considered equal.

Motor shall have two heavy duty ball bearings to support pump shaft and take radial and thrust loads. Ball bearings shall be designed for 50,000 hours B-10 life. Stator shall be heat shrunk into motor housing. On single phase motors a line break overload shall be attached to the windings to stop the motor if the temperature of the winding is more than 130°C. This overload will automatically reset when the motor cools to safe operating temperature. On three phase motors overcurrent protection should be provided in the control panel. The common pump-motor shaft shall be of 416 stainless steel.

**Seal** – Motor shall be protected by a mechanical seal. Seal faces shall be lubricated by the oil-filled motor housing above seal. Seal faces shall be carbon and ceramic and lapped to a flatness of one light band. Seal faces of tungsten carbide are optional.

**Impeller** – The impeller shall be cast ductile iron and of the 2 vane non-clog enclosed type. Vane inlet tips shall be carefully rounded to prevent stringy material from catching in vanes. Pump-out vane shall be used in front and back chamber. Impeller shall be dynamically balanced.

Impeller to be driven by stainless steel shaft key and impeller held in place with lock screw and washer. Impeller and motor shall lift off of case as a unit without disturbing discharge piping.

**Pump Case** – The volute case shall be cast iron and have a flanged center line discharge. Discharge flange shall be three (3) inch standard with bolt holes straddling center line. The volute shall have integrally cast legs for mounting pump on bottom of wet well.

**Pump and Motor Casting** – All castings shall be of high tensile cast iron and shall be treated with phosphate and chromate rinse. All fasteners shall be 302 stainless steel.

**Power Cables** – Power cable shall be double sealed. Cable entry into cord cap shall be sealed by a cord grip fitting. Individual wire entry into top of motor housing shall be sealed by a rubber compression sealing grommet. Insulation of power cable shall be type SOOW.



USA  
293 WRIGHT STREET, DELAVAN, WI 53115 WWW.FEMEYERS.COM  
PH: 888-987-8677 ORDERS FAX: 800-426-9446

CANADA  
269 TRILLIUM DRIVE, KITCHENER, ONTARIO, CANADA N2G 4W5  
PH: 519-606-5484 ORDERS FAX: 800-426-9446

Because we are continuously improving our products and services, Pentair reserves the right to change specifications without prior notice.