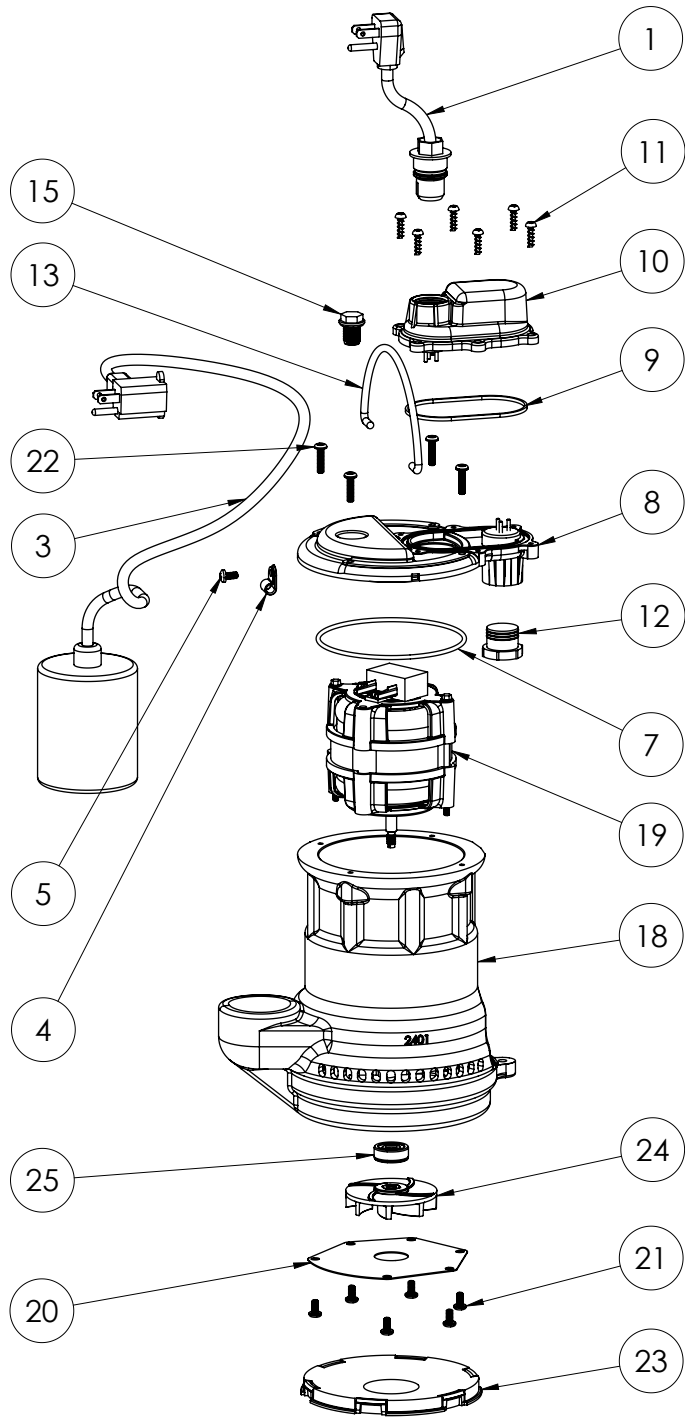


243 (B59)



243 (B59)

| # | PART # | DESCRIPTION | QTY | Note |
|----|---------|---------------------------------------|-----|------|
| 1 | K001010 | POWER CORD, 115V, 10 FOOT CORD | 1 | |
| 3 | K001170 | PUMP SWITCH, 10FT. | 1 | |
| 4 | 8014000 | CABLE CLAMP | 1 | |
| 5 | 8082000 | #10-24 x 3/8 EPOXY LOCK SCREW | 1 | |
| 7 | 2357000 | O-RING | 1 | [1] |
| 8 | 240600G | MOTOR COVER, GREY | 1 | |
| 9 | K001046 | SEALRING, CHAMBER COVER | 1 | |
| 10 | 240700G | CHAMBER COVER, GREY | 1 | |
| 11 | 8104200 | #10 HILO X 5/8" STAINLESS STEEL SCREW | 6 | |
| 12 | 8105000 | PROTECTIVE CAP | 1 | |
| 13 | K001082 | HANDLE | 1 | |
| 15 | 8089000 | OIL PLUG, O-RING ASSEMBLY | 1 | |
| 18 | 24230AJ | 240 CAST IRON HOUSING | 1 | [1] |
| 19 | 2415200 | PSC MOTOR | 1 | [1] |
| 20 | 24030A0 | FLAT VOLUTE PLATE | 1 | |
| 21 | 8092000 | #10 - 24 x 3/8" SCREW | 6 | |
| 22 | 8072000 | #10 - 24 x 3/4" SCREW | 4 | |
| 23 | 25020A0 | SOLID BOTTOM PLUG | 1 | |
| 24 | 2416000 | IMPELLER | 1 | |
| 25 | K001254 | 3043000 5/16" SHAFT SEAL | 1 | [1] |

PART NOTES:

[1] - Part requires factory authorized service. Contact Liberty Pumps at 1-800-543-2550