

PRODUCT INFORMATION PACKET



Model No: 985.601D
Catalog No: M1115029.00
...16:1.109RPM.27LBIN.1/20HP.30...DC GEARMOTORS SUB-FHP.90V..TENV.985.601D
P300 Series



Regal and Leeson are trademarks of Regal Beloit Corporation or one of its affiliated companies.
©2018 Regal Beloit Corporation, All Rights Reserved. MC017097E





Nameplate Specifications

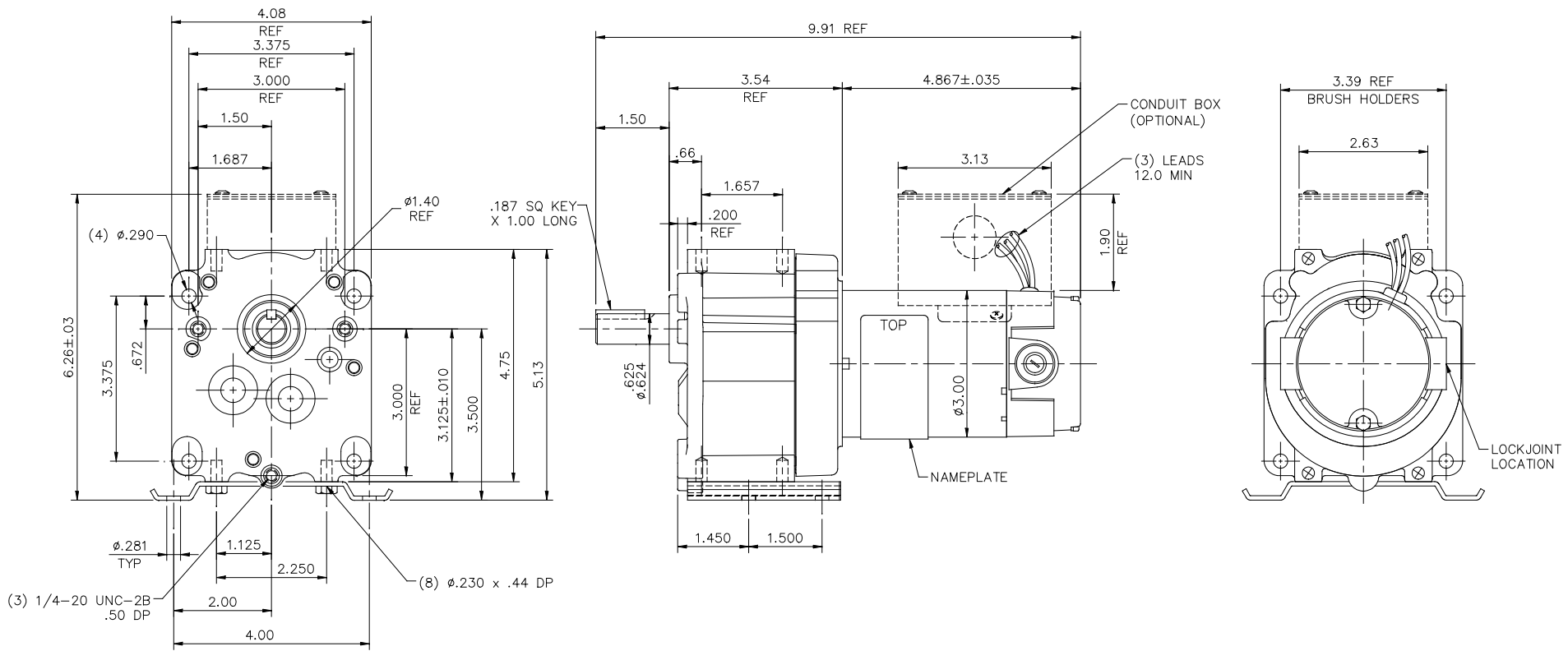
Output HP	0.05 Hp	Output KW	0.04 kW
Voltage	90 V	Current	0.54 A
Speed	109 rpm	Service Factor	1
Efficiency	48.6 %	Duty	Continuous
Insulation Class	F	Frame	30
Enclosure	Totally Enclosed Non Ventilated	Overload Protector	No
Ambient Temperature	40 °C	Drive End Bearing Size	6000
Opp Drive End Bearing Size	6000	UL	Recognized
CSA	Y	CE	Y

Technical Specifications

Rotation	Reversible	Mounting	Special
Shaft Type	Parallel	Overall Length	9.91 in
Frame Length	3.36 in	Shaft Diameter	0.625 in
Shaft Extension	1.5 in		
Outline Drawing	M1030964-M1115029	Connection Diagram	M100530201

This is an uncontrolled document once printed or downloaded and is subject to change without notice. Date Created: 10/15/2018

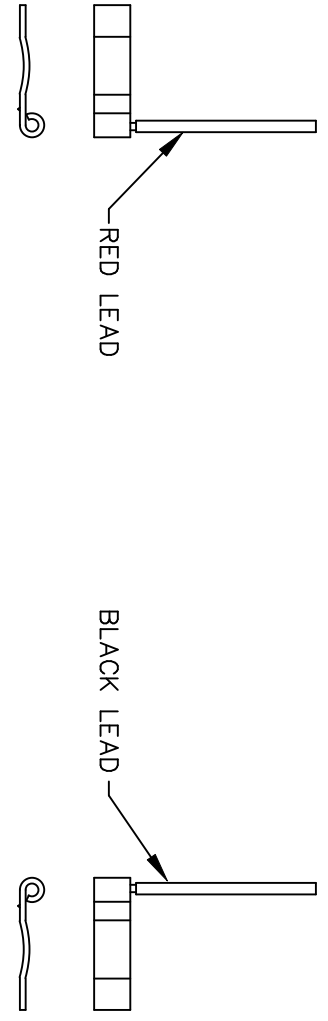
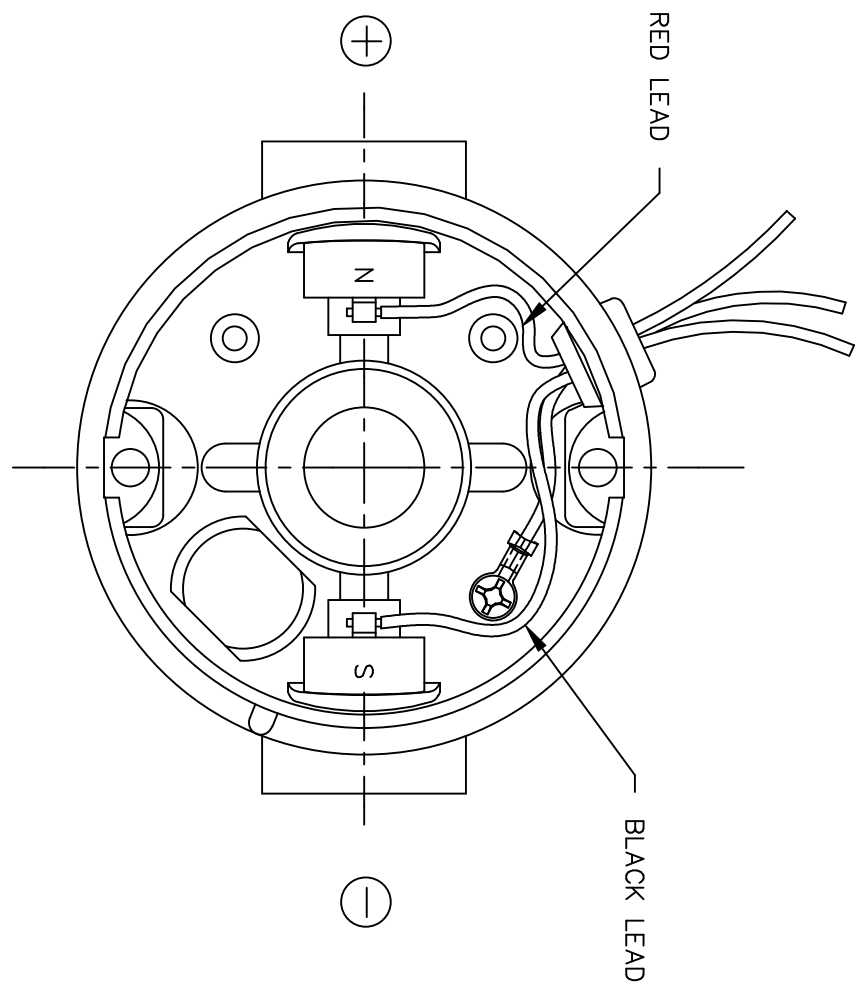
M1030964




CATALOG No.	VOLTS	HP	RATIO	TORQUE IN-LB	RPM
M1115024.00	90	1/20	336:1	353	5
M1115025.00	90	1/20	216:1	268	9
M1115026.00	90	1/20	103:1	150	18
M1115027.00	90	1/20	52:1	82	34
M1115028.00	90	1/20	35:1	55	51
M1115029.00	90	1/20	16:1	27	109
M1125092.00	180	1/20	91:1	140	20
M1125093.00	180	1/20	29:1	45	60
M1125094.00	180	1/20	17:1	26	106

		TOLERANCES UNLESS SPECIFIED		LEESON		ELECTRIC MOTORS GEARMOTORS AND DRIVES		DRAWN	RWS	3/28/05			
		DEC.	INCHES					CHK	RPB	3/28/05			
E	UPDATED 1.40 HUB DIM TO MATCH GBOX, ECO-0128172	IPG	7/26/17	.X	±.1	TITLE		APPD					
02	ADDED CAT. #'S M1125092.00, M1125093.00 AND M1125094.00 TO TABLE, ECN 06-3810	IPG	9/29/06	SAD	.XX ±.03	30 FRAME DC - P300 GEARBOX			SCALE	1=2			
01	CHGD 11.45 REF TO 9.41 REF, ECR 84115	VS	5/27/05	BC	.XXX ±.005	MAT'L.		REF	M1030939				
NO.	REVISION	BY & DATE	CHK	ANG	±1/2"	FINISH		FMF	M1125025.00				
THIS DRAWING IN DESIGN AND DETAIL IS OUR PROPERTY AND MUST NOT BE USED EXCEPT IN CONNECTION WITH OUR WORK ALL RIGHTS OF DESIGN AND INVENTION ARE RESERVED THIS IS AN ELECTRONICALLY GENERATED DOCUMENT - DO NOT SCALE THIS PRINT								RFP	CAD FILE	M1030964	SIZE	DRAWING NO.	REV.
								DIST			B	M1030964	E

D.C. MOTORS



EXTERNAL CONNECTIONS FOR CW ROTATION
 VIEWING LEAD END OF MOTOR WITH RED LEAD
 POSITIVE (+) AND BLACK LEAD NEGATIVE (-)
 FOR CCW ROTATION REVERSE POLARITY

				TOLERANCES UNLESS SPECIFIED		 ELECTRIC MOTORS GEARMOTORS AND DRIVES	DRAWN RWS 3/15/05 CHK RPB 3/15/05 APPD			
				DEC.	INCHES		TITLE	SCALE 1=1		
				.X	±.1		CONNECTION DIAGRAM	REF 901.706		
				.XX	±.01			MAT'L.	FMF	
				.XXX	±.005			FINISH	PREV	
00	RELEASED COMM CONVERSION PROJECT	RWS 4/13/05	RPB	.XXXX	±.0005	CAD FILE	M100530201	SIZE	DRAWING NO.	REV.
NO.	REVISION	BY & DATE	CHK	ANG	±1/2"	DIST		A	M1005302.01	00

THIS DRAWING IN DESIGN AND DETAIL IS OUR PROPERTY AND MUST NOT BE USED EXCEPT IN CONNECTION WITH OUR WORK ALL RIGHTS OF DESIGN AND INVENTION ARE RESERVED THIS IS AN ELECTRONICALLY GENERATED DOCUMENT - DO NOT SCALE THIS PRINT