

PRODUCT INFORMATION PACKET



Model No: 985.610F
Catalog No: M1125072.00
...29:1.61RPM.113LBIN.1/8HP.30...DC GEARMOTORS SUB-FHP.90V.DC.TENV
P300 Series



Regal and Leeson are trademarks of Regal Beloit Corporation or one of its affiliated companies.
©2018 Regal Beloit Corporation, All Rights Reserved. MC017097E





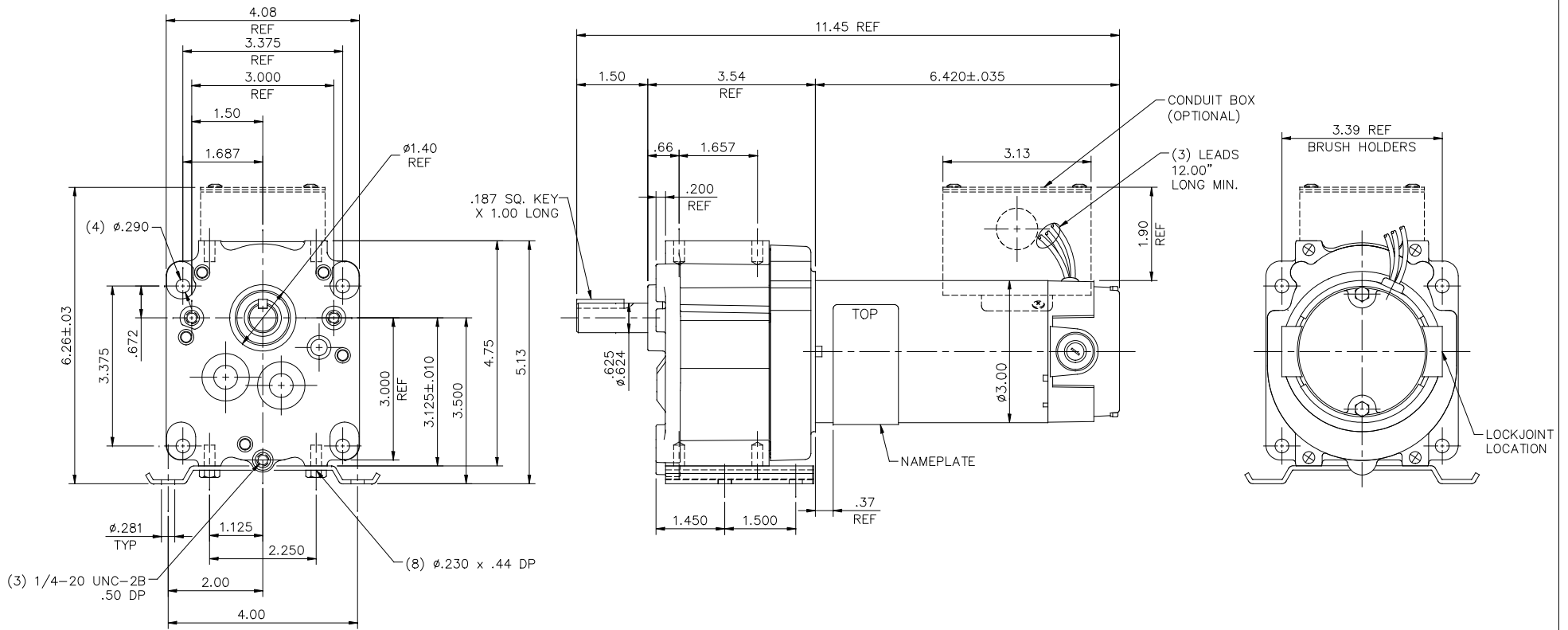
Nameplate Specifications

Output HP	0.13 Hp	Output KW	0.10 kW
Voltage	90 V	Current	1.3 A
Speed	61 rpm	Service Factor	1
Efficiency	70.8 %	Duty	Continuous
Insulation Class	F	Frame	30
Enclosure	Totally Enclosed Non Ventilated	Overload Protector	No
Ambient Temperature	40 °C	Drive End Bearing Size	6000
Opp Drive End Bearing Size	6000	UL	Recognized
CSA	Y	CE	Y

Technical Specifications

Rotation	Reversible	Mounting	Special
Shaft Type	Parallel	Overall Length	11.45 in
Frame Length	4.91 in	Shaft Diameter	0.625 in
Shaft Extension	1.5 in		
Outline Drawing	M1030961-M1125072	Connection Diagram	M100530201

This is an uncontrolled document once printed or downloaded and is subject to change without notice. Date Created: 10/15/2018

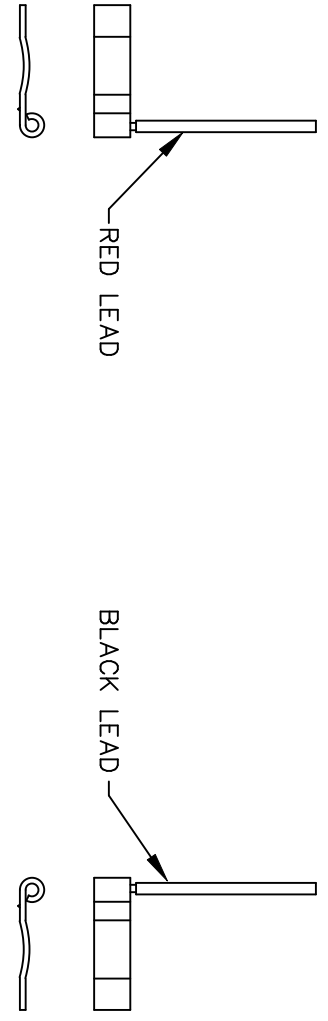
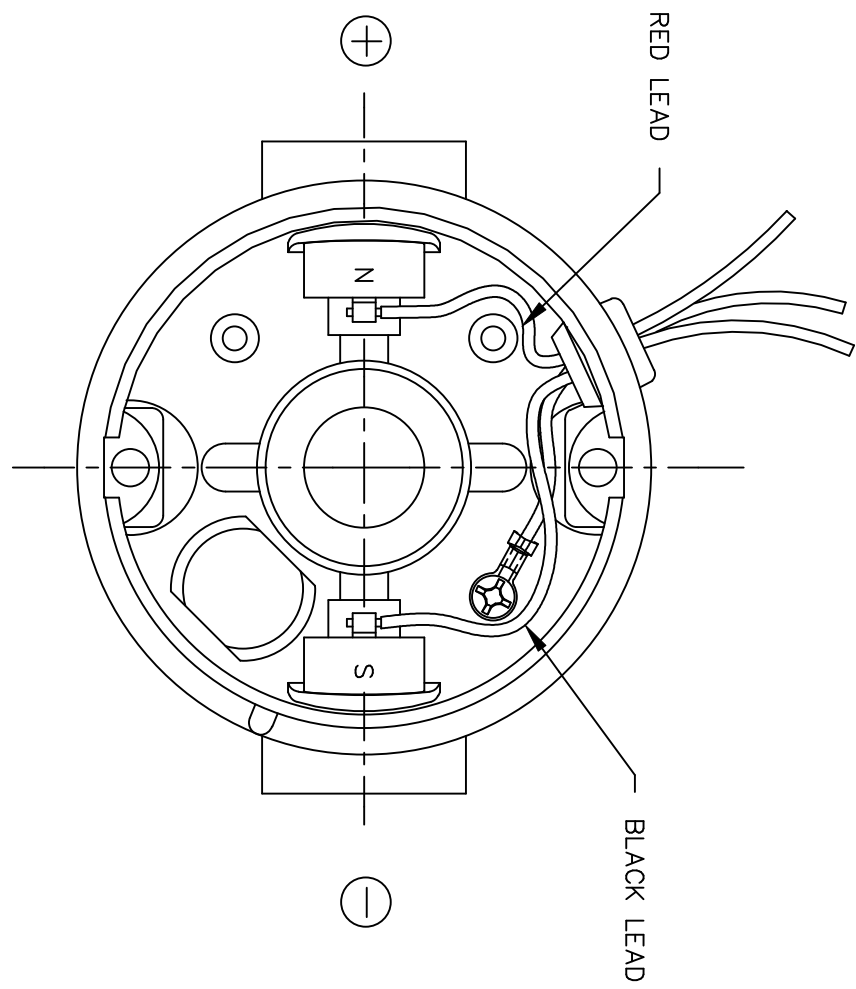


CATALOG No.	VOLTS	HP	RATIO	TORQUE IN-LB	RPM
M1125072.00	90	1/8	29:1	113	61
M1125069.00	90	1/8	76:1	280	24
M1125070.00	90	1/8	58:1	220	31
M1125073.00	90	1/8	19:1	77	94
M1125039.00	180	1/8	35:1	130	51
M1125071.00	90	1/8	35:1	130	51
M1125074.00	90	1/8	11:1	43	167
M1125038.00	180	1/8	58:1	220	31
M1125040.00	180	1/8	19:1	77	94
M1125041.00	180	1/8	10:1	43	170


ITEM No.	ITEM REV
-00	0

				TOLERANCES UNLESS SPECIFIED		LEESON	ELECTRIC MOTORS GEARMOTORS AND DRIVES	DRAWN	
				DEC.	INCHES			RWS	3/18/05
				.X	±.1			CHK	RPB 3/18/05
				.XX	±.03	TITLE	OUTLINE	APPD	SCALE 1=2
D	UPDATED 1.40 HUB DIM TO MATCH GBOX, ECO-0128172	IPG	7/26/17	.XXX	±.005	30 FRAME DC- P300 GEARBOX		REF	M1030940.00
00	RELEASED COMM CONSOLIDATION PROJECT	RWS	4/20/05	RPB	±.0005	MAT'L.		FMF	M1125074.00
NO.	REVISION	BY & DATE		CHK	ANG ±1/2"	FINISH		PREV	
THIS DRAWING IN DESIGN AND DETAIL IS OUR PROPERTY AND MUST NOT BE USED EXCEPT IN CONNECTION WITH OUR WORK ALL RIGHTS OF DESIGN AND INVENTION ARE RESERVED THIS IS AN ELECTRONICALLY GENERATED DOCUMENT - DO NOT SCALE THIS PRINT				RFP		CAD FILE	M1030961	SIZE	DRAWING NO.
				DIST				B	M1030961
									REV. D

D.C. MOTORS



EXTERNAL CONNECTIONS FOR CW ROTATION
 VIEWING LEAD END OF MOTOR WITH RED LEAD
 POSITIVE (+) AND BLACK LEAD NEGATIVE (-)
 FOR CCW ROTATION REVERSE POLARITY

				TOLERANCES UNLESS SPECIFIED		 ELECTRIC MOTORS GEARMOTORS AND DRIVES	DRAWN RWS 3/15/05 CHK RPB 3/15/05 APPD		
				DEC.	INCHES		TITLE	SCALE 1=1	
				.X	±.1		CONNECTION DIAGRAM	REF 901.706	
				.XX	±.01			MAT'L.	FMF
				.XXX	±.005			FINISH	PREV
00	RELEASED COMM CONVERSION PROJECT	RWS 4/13/05	RPB	.XXXX	±.0005	CAD FILE M100530201	SIZE A	DRAWING NO. M1005302.01	REV. 00
NO.	REVISION	BY & DATE	CHK	ANG	±1/2"	DIST			

THIS DRAWING IN DESIGN AND DETAIL IS OUR PROPERTY AND MUST NOT BE USED EXCEPT IN CONNECTION WITH OUR WORK ALL RIGHTS OF DESIGN AND INVENTION ARE RESERVED THIS IS AN ELECTRONICALLY GENERATED DOCUMENT - DO NOT SCALE THIS PRINT