

# PRODUCT INFORMATION PACKET



Model No: 985.628H  
Catalog No: M1125003.00  
...30:1.60RPM.56LBIN.1/17HP.30...DC GEARMOTORS SUB-FHP.90V..TENV.985.628H  
PZ Series



Regal and Leeson are trademarks of Regal Beloit Corporation or one of its affiliated companies.  
©2018 Regal Beloit Corporation, All Rights Reserved. MC017097E





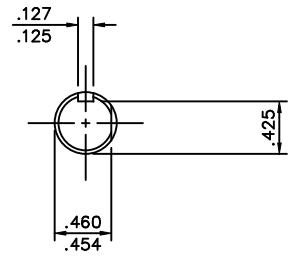
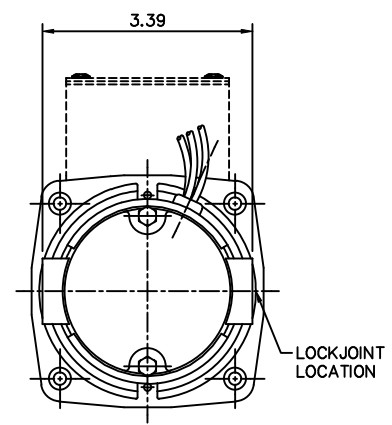
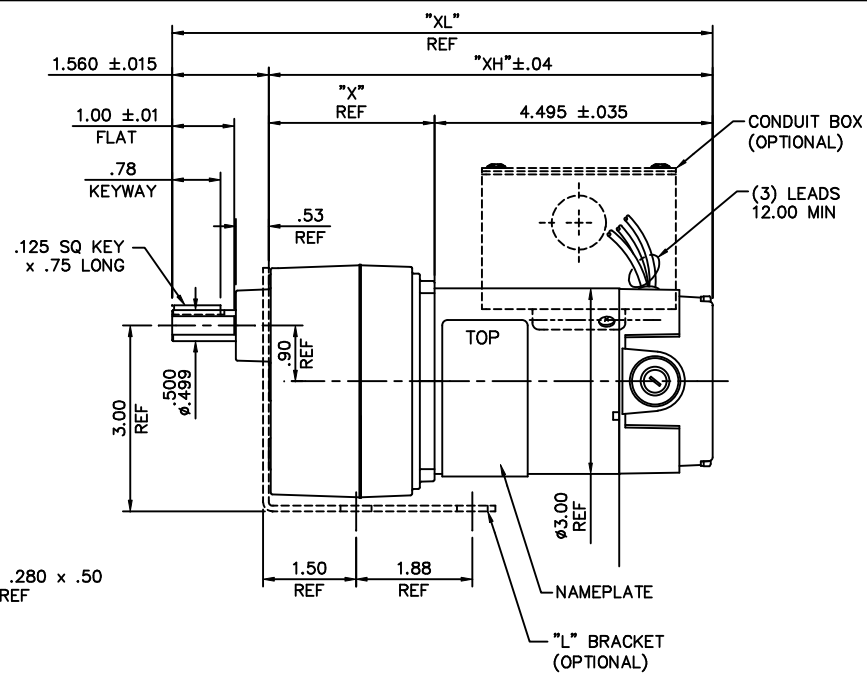
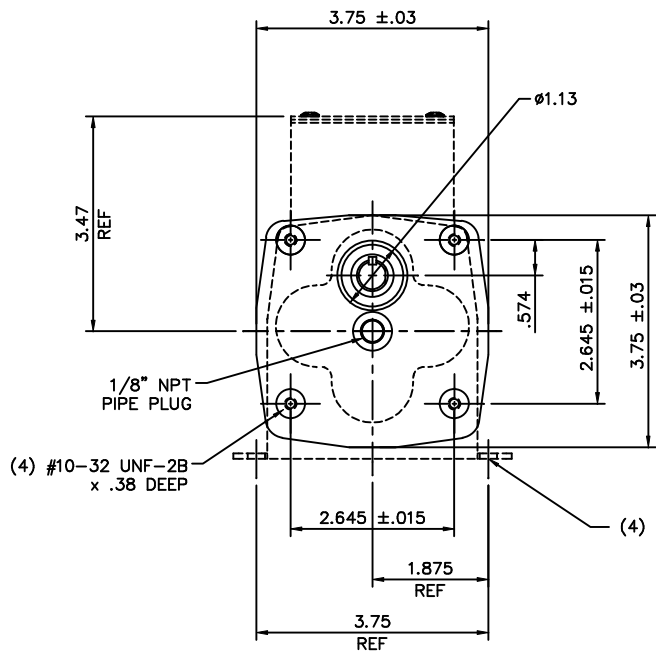
### Nameplate Specifications

Output HP	<b>0.06 Hp</b>	Output KW	<b>0.04 kW</b>
Voltage	<b>90 V</b>	Current	<b>0.80 A</b>
Speed	<b>60 rpm</b>	Service Factor	<b>1</b>
Efficiency	<b>55.1 %</b>	Duty	<b>Continuous</b>
Insulation Class	<b>F</b>	Frame	<b>30</b>
Enclosure	<b>Totally Enclosed Non Ventilated</b>	Overload Protector	<b>No</b>
Ambient Temperature	<b>40 °C</b>	Drive End Bearing Size	<b>6000</b>
Opp Drive End Bearing Size	<b>6000</b>	UL	<b>Recognized</b>
CSA	<b>Y</b>	CE	<b>Y</b>

### Technical Specifications

Rotation	<b>Reversible</b>	Mounting	<b>Special</b>
Shaft Type	<b>Parallel</b>	Overall Length	<b>8.74 in</b>
Frame Length	<b>2.99 in</b>	Shaft Diameter	<b>0.500 in</b>
Shaft Extension	<b>1 in</b>		
Outline Drawing	<b>M1030957-M1125003</b>	Connection Diagram	<b>M100530201</b>

This is an uncontrolled document once printed or downloaded and is subject to change without notice. Date Created: 10/15/2018



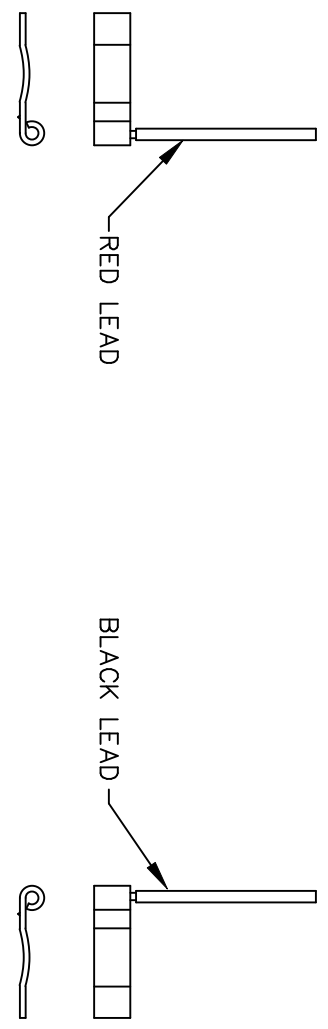
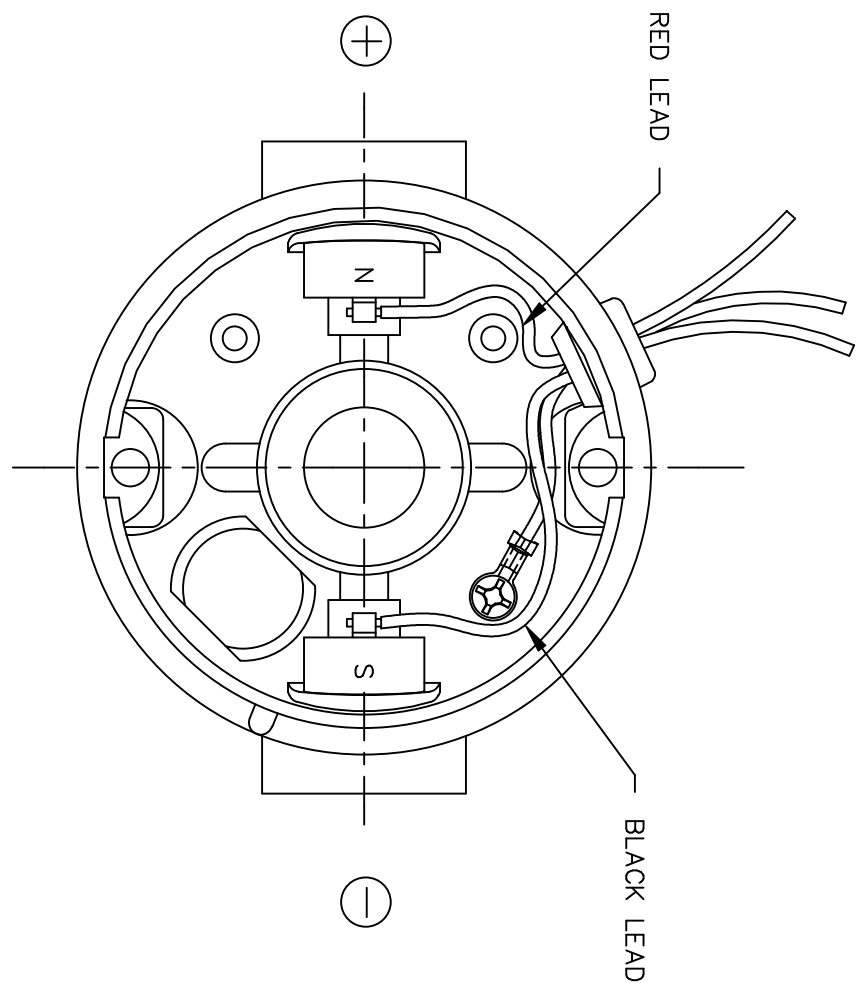
SHAFT DETAIL  
SCALE 2:1

CATALOG No.	VOLTS	HP	RATIO	TORQUE IN-LB	RPM	"XL" INCH	"XH" INCH	"X" INCH
M1115000.00	90	1/20	90:1	100	20	9.30	7.74	3.24
M1115001.00	90	1/20	180:1	100	10	9.30	7.74	3.24
M1115002.00	90	1/40	450:1	40	4	9.30	7.74	3.24
M1125002.00	90	1/17	60:1	100	30	8.74	7.18	2.68
M1125003.00	90	1/17	30:1	56	60	8.74	7.18	2.68
M1125004.00	90	1/17	18:1	36	100	8.74	7.18	2.68
M1125005.00	90	1/17	12:1	24	150	8.46	6.90	2.40
M1125006.00	90	1/17	6:1	10	300	8.46	6.90	2.40
M1125033.00	180	1/17	6:1	10	300	8.46	6.90	2.40
M1125034.00	180	1/17	12:1	24	150	8.46	6.90	2.40
M1125035.00	180	1/17	18:1	36	100	8.74	7.18	2.68
M1125036.00	180	1/17	30:1	56	60	8.74	7.18	2.68
M1125037.00	180	1/17	60:1	100	30	8.74	7.18	2.68
M1125046.00	180	1/40	450:1	40	4	9.30	7.74	3.24
M1125047.00	180	1/20	180:1	100	10	9.30	7.74	3.24
M1125048.00	180	1/20	90:1	100	20	9.30	7.74	3.24


				TOLERANCES UNLESS SPECIFIED		<b>LEESON</b> ELECTRIC MOTORS GEARMOTORS AND DRIVES		DRAWN RWS 3/7/05	
				DEC.	INCHES			CHK RPB 3/8/05	APPD
				.X ±.1		TITLE OUTLINE 30 FRAME DC-PZ GEARBOX		SCALE 1=2	
				.XX ±.03				REF M1115000-1125048	
				.XXX ±.005		MAT'L		FPM M1115002.00	
00 RELEASED COMM CONVERSION PROJECT				RWS 4/13/05				RWB	
NO. REVISION				BY & DATE		CHK ANG ±1/2"		FINISH	
THIS DRAWING IN DESIGN AND DETAIL IS OUR PROPERTY AND MUST NOT BE USED EXCEPT IN CONNECTION WITH OUR WORK ALL RIGHTS OF DESIGN AND INVENTION ARE RESERVED THIS IS AN ELECTRONICALLY GENERATED DOCUMENT - DO NOT SCALE THIS PRINT						RFP CAD FILE M1030957		SIZE B DRAWING NO. M1030957.00	
						DIST		REV. 00	

```
ERROR: syntaxerror
OFFENDING COMMAND: --nostringval--
STACK:
/im
-savelevel-
```

D.C. MOTORS



EXTERNAL CONNECTIONS FOR CW ROTATION  
 VIEWING LEAD END OF MOTOR WITH RED LEAD  
 POSITIVE (+) AND BLACK LEAD NEGATIVE (-)  
 FOR CCW ROTATION REVERSE POLARITY

				TOLERANCES UNLESS SPECIFIED		 ELECTRIC MOTORS GEARMOTORS AND DRIVES	DRAWN RWS 3/15/05 CHK RPB 3/15/05 APPD SCALE 1=1 REF 901.706 FMF PREV
				DEC.	INCHES		TITLE CONNECTION DIAGRAM MAT'L. FINISH
				.X	±.1		
				.XX	±.01		
				.XXX	±.005		
00	RELEASED COMM CONVERSION PROJECT	RWS 4/13/05	RPB	.XXXX	±.0005	CAD FILE M100530201	SIZE A DRAWING NO. M1005302.01 REV. 00
NO.	REVISION	BY & DATE	CHK	ANG	±1/2"	DIST	

THIS DRAWING IN DESIGN AND DETAIL IS OUR PROPERTY AND MUST NOT BE USED EXCEPT IN CONNECTION WITH OUR WORK ALL RIGHTS OF DESIGN AND INVENTION ARE RESERVED THIS IS AN ELECTRONICALLY GENERATED DOCUMENT - DO NOT SCALE THIS PRINT