

PRODUCT INFORMATION PACKET



Model No: 985.660C
Catalog No: M1125220.00
...29:1.61RPM.113LBIN.1/8HP.30....12V..TENV.985.660C
P300 Series



Regal and Leeson are trademarks of Regal Beloit Corporation or one of its affiliated companies.
©2018 Regal Beloit Corporation, All Rights Reserved. MC017097E





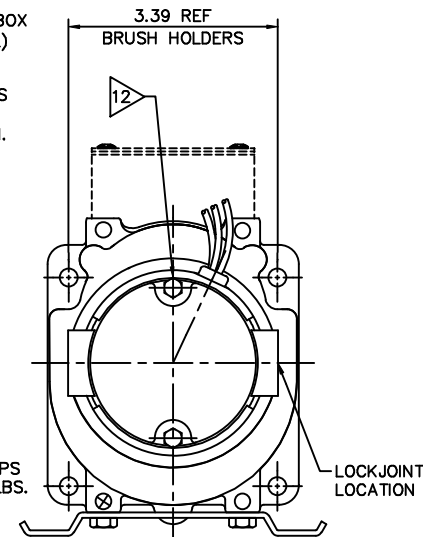
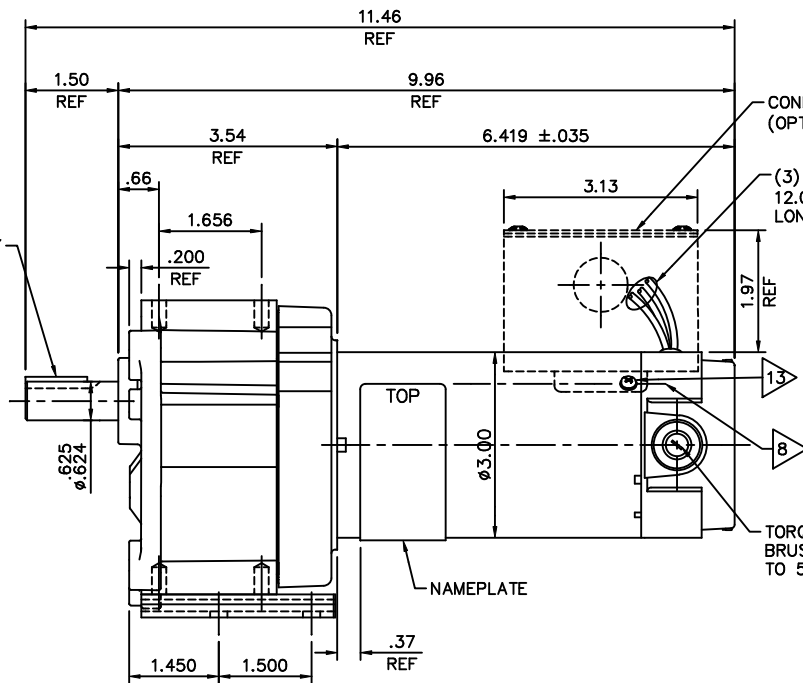
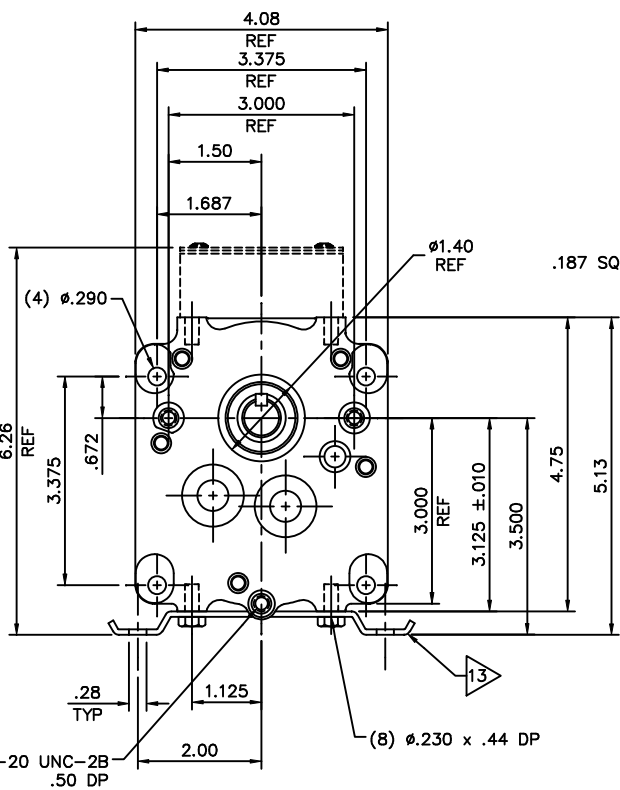
Nameplate Specifications

Output HP	0.13 Hp	Output KW	0.10 kW
Voltage	12 V	Current	10.4 A
Speed	61 rpm	Service Factor	1
Efficiency	63.7 %	Duty	Continuous
Insulation Class	F	Frame	30
Enclosure	Totally Enclosed Non Ventilated	Overload Protector	No
Ambient Temperature	40 °C	Drive End Bearing Size	6000
Opp Drive End Bearing Size	6000	UL	Recognized
CSA	Y	CE	N

Technical Specifications

Rotation	Reversible	Mounting	Special
Shaft Type	Parallel	Overall Length	11.46 in
Frame Length	4.91 in	Shaft Diameter	0.625 in
Shaft Extension	1.5 in		
Outline Drawing	M1030941-M1125220	Connection Diagram	M112522000FI

This is an uncontrolled document once printed or downloaded and is subject to change without notice. Date Created: 10/15/2018



- 1) ROTATION: REVERSIBLE
- 2) HIPOT: 1250 VAC FOR ONE SECOND; RED & BLACK LEADS TO CASE
- 3) LEADS: 14 GA
- 4) BEARINGS: BALL BEARINGS BOTH ENDS
- 5) CASTINGS: GEARBOX-DIE CAST ALUMINUM, REAR ENDCAP-DIE CAST ZINC
- 6) MAGNET TUBE: ZINC PLATED STEEL
- 7) INSULATION: CLASS F 155°C
- 8) NAME PLATE MUST BE IN LINE WITH HOLE WITHIN .06"
- 9) TEST AND LUBRICATE GEARBOX PER 890.178
- 10) PAINT PER DRAWING #PP985.6XX
- 11) PACKAGE FOR SHIPMENT PER 890.179
- 12) TORQUE THROBOLTS TO 20-25 IN-LB
- 13) INSTALL BRACKET & CONDUIT BOX SCREWS AT FINAL ASSEMBLY BEFORE PAINTING

MODEL No.	VOLTAGE	CATALOG No.	TYPE	RATIO	TORQUE	HP	RPM
985.658	12VDC	M1125218.00	DN	58:1	220 IN-LB	1/8	31
985.659	12VDC	M1125219.00	DN	35:1	130 IN-LB	1/8	51
985.660	12VDC	M1125220.00	DN	29:1	113 IN-LB	1/8	61

			TOLERANCES UNLESS SPECIFIED		LEESON ELECTRIC MOTORS GEARMOTORS AND DRIVES		DRAWN KLS 9/24/04	
			DEC.	INCHES			CHK IPG 9/24/04	
			.X	±.1	TITLE		SCALE 1=2	
			.XX	±.03	30 FRAME DC - P300 GEARBOX		REF M1125218-200L	
01	VALUES FOR HP & RPM WERE 1/20 AND 5, ECR 87703	VS 2/9/05	BC	.XXX	±.005	MATERIAL		FMF M1125218.00
00	RELEASED PER ECR 87604	KLS 09/24/04	IPG	.XXXX	±.0005	FINISH		PREV
NO.	REVISION	BY & DATE	CHK	ANG	±1/2"	CAD FILE M1030941		SIZE B DRAWING NO. M1030941.00
THIS DRAWING IN DESIGN AND DETAIL IS OUR PROPERTY AND MUST NOT BE USED EXCEPT IN CONNECTION WITH OUR WORK ALL RIGHTS OF DESIGN AND INVENTION ARE RESERVED THIS IS AN ELECTRONICALLY GENERATED DOCUMENT - DO NOT SCALE THIS PRINT						RFP	REV. 01	
						DIST		

1. HIPOT @ 1250 VOLTS FOR ONE SECOND, RED & BLACK LEADS TO CASE
2. RED LEAD POS (+)
- BLACK LEAD NEG (-)
- } CCWSE (MOTOR ONLY-SHAFT OUTPUT END)
3. RUN IN @ 12 VDC, 2.03 MAX AMPS, NO LOAD
4. TORQUE THRUBOLTS TO 20-25 LB. IN.
5. ALL MOTORS TO BE RUN-IN AT FREE-LOAD FOR 30 MINS. [REVERSING DIRECTION AT 15 MINUTES] AT 12±1 VDC.


CHECKS TO OUTLINE DRAWING

- A. LEAD LENGTH & STRIP
- B. SHAFT ROTATION (GEARBOX)
- C. LABEL CORRECT, POSITION (CRITICAL) & DATE CODE
- D. -
- E. PAINT - SMOOTH. COMPLETE & NO RUNS
- F. MOUNTING BASE ON GEARBOX
- G. CONDUIT BOX SCREWS
- H. GEARBOX ID
- J. GEARBOX OIL PLUG TORQUE (24 LB. IN.)

PERFORMANCE SPECIFICATIONS

TORQUE	SPEED	MAX AMPS
56 LB. IN.	63-70	6.85
113 LB. IN.	57-64	11.45

UL NUMBER: 985.660

				TOLERANCES UNLESS SPECIFIED			ELECTRIC MOTORS GEARMOTORS AND DRIVES	DRAWN	AD 1/30/01		
				DEC.	INCHES			CHK			
03	REMOVED KEY & RUBBER BAND/"D"OUT.CHKS. ECR83964	RPB	12/17/03	BC	.X	±.1		APPD			
02	CHG'D NOTE 5	JKM	11/8/02		.XX	±.01	TITLE	SCALE	1=1		
01	2.03 W .88;63-70 W 63-69;6.85 W 6.0;11.45 W 11.0	AD	3/27/01		.XXX	±.005	FINAL INSPECTION 30 FRAME DC - P300 GEARBOX	REF			
00	RELEASE	AD	1/30/01		.XXXX	±.0005	MAT'L.	FMF			
NO.	REVISION	BY & DATE	CHK	ANG	±1/2"		FINISH	PREV			
THIS DRAWING IN DESIGN AND DETAIL IS OUR PROPERTY AND MUST NOT BE USED EXCEPT IN CONNECTION WITH OUR WORK ALL RIGHTS OF DESIGN AND INVENTION ARE RESERVED THIS IS AN ELECTRONICALLY GENERATED DOCUMENT - DO NOT SCALE THIS PRINT				RFP	CAD FILE			M112522000FI	SIZE	DRAWING NO.	REV.
				DIST				A	M1125220.00FI	03	

```
ERROR: syntaxerror  
OFFENDING COMMAND: --nostringval--
```

```
STACK:
```

```
 /im  
-savelevel-
```