

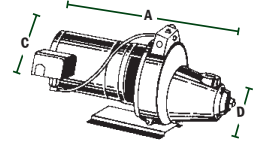
SUBMITTAL DATA SHEET

Jet Pumps
Convertible | Shallow Well

8100 Series - Shallow Well



All 8100 Series Shallow Well Pumps come with a 1 1/4" suction pipe and 3/4" discharge on the side or 1" on top. The sizes range from 1/2 to 1 horse power (HP).



Overall Length "A" | Overall Height "B"
Overall Width with Pressure Switch "C"
Overall Width without Pressure Switch "D"

Models Available

High Capacity

Model No.	HP	Volt	*Max. Amps	Switch	Impeller	A	B	C	D	WT
8150	1/2	115/230	11.2	20/40	plastic	20"	10"	10.5"	8"	46
8151	1/2	115/230	11.2	20/40	brass	20"	10"	10.5"	8"	46
8170	3/4	230/115	7.4	30/50	plastic	19.5"	10"	10.5"	8"	49
8171	3/4	230/115	7.4	30/50	brass	19.5"	10"	10.5"	8"	50
8110	1	230/115	8.8	30/50	plastic	20"	10"	10.5"	8"	52
8111	1	230/115	8.8	30/50	brass	20"	10"	10.5"	8"	53

High Pressure

Model No.	HP	Volt	*Max. Amps	Switch	Impeller	A	B	C	D	WT
8150HP	1/2	115/230	11.2	30/50	plastic	20"	10"	10.5"	8"	46
8151HP	1/2	115/230	11.2	30/50	brass	20"	10"	10.5"	8"	48
8170HP	3/4	230/115	7.4	30/50	plastic	19.5"	10"	10.5"	8"	49
8171HP	3/4	230/115	7.4	30/50	brass	19.5"	10"	10.5"	8"	50
8110HP	1	230/115	8.8	30/50	plastic	20"	10"	10.5"	8"	52
8111HP	1	230/115	8.8	30/50	brass	20"	10"	10.5"	8"	53

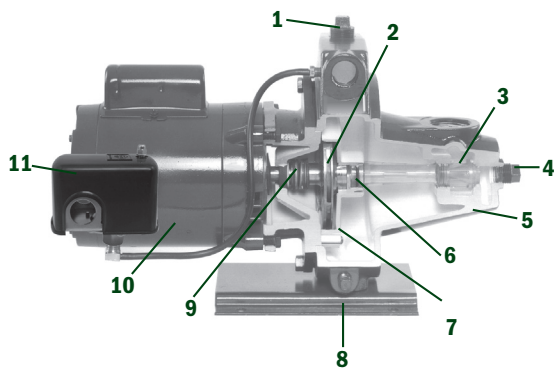
*Factory Voltage Setting listed first in bold type.

High Capacity | Shallow Well

Model No.	HP	Suction Lift - Ft.	Capacities in GPM at Discharge Pressure (PSI)				MAX. Shut Off Pressure
			20	30	40	50	
8150	1/2	5	15.6	15.6	8.6	2.3	58
8151		15	11.7	11.7	6.5	1.2	
		25	6.6	6.6	4.7	--	
8170	3/4	5	18.8	18.8	16.2	8.8	61
8171		15	14.4	14.4	12.3	3.9	
		25	8.6	8.6	7.3	2.7	
8110	1	5	24.2	24.0	23.0	15.0	64
8111		15	20.1	18.6	18.4	10.9	
		25	11.6	11.4	11.3	4.7	

High Pressure | Shallow Well

Model No.	HP	Suction Lift - Ft.	Capacities in GPM at Discharge Pressure (PSI)					MAX. Shut Off Pressure
			30	40	50	60	70	
8150HP	1/2	5	7.6	7.1	5.7	2.7	70	
8151HP		15	5.5	5.4	4.3	2.0		
		25	3.7	3.6	2.9			
8170HP	3/4	5	9.4	9.4	7.8	4.2	74	
8171HP		15	7.0	7.0	5.9	2.9		
		25	4.6	4.6	3.8	2.1		
8110HP	1	5	13.4	13.4	12.7	9.2	3.0	
8111HP		15	10.0	10.0	9.4	6.5	2.4	
		25	6.2	6.2	6.0	4.3	1.8	



- 1 - **Zinc Plated Plug**
(With Pressure Gauge Tap & 1/4" plug)
- 2 - **Impeller**
Available in either dynamically balanced bronze or engineered thermoplastic
- 3 - **Nozzle-Venturi (Jet Ejector) Assembly**
Unitized construction made of non-distorting Polycarbonate with excellent heat resistance
- 4 - **Zinc Plated Nozzle Clean-out Plug**
- 5 - **Cast Iron Pump Body & Motor Adapter**
- 6 - **Buna-N O-ring (On Venturi)**
- 7 - **Diffuser**
Multi-volute engineered thermoplastic diffuser for maximum capacity and pressure
- 8 - **Drain Plug**
- 9 - **Shaft Seal**
Standard 5/8" ceramic carbon rotating mechanical seal
- 10 - **Standard, Capacitor Start, Nema J Motor**
Built to NEMA specifications by nationally known manufacturers to assure local service availability. Choice of 1/2, 3/4 and 1 H.P. 50 Hz. or 60 Hz.
- 11 - **Pressure Switch**
Easily adjusted for higher or lower operating pressures

SUBMITTAL INFORMATION

- Pressure switch factory settings:
1/2 HP High Capacity = 20-40 PSI
1/2 HP High Pressure = 30-50 PSI
- Nema J (Threaded Shaft) Motor 7/16" - 20 Threads
- All 3/4 and 1 HP = 30-50 PSI
- * Maximum Amp. Draw at factory voltage setting.

NO-LEAD: The weighted average of the wetted surface of this no-lead product contacted by consumable water contains less than one quarter of one percent (0.25%) lead.



A.Y. McDonald Mfg. Co.
P.O. Box 508
Dubuque, IA 52004-0508

Toll Free: 1-800-292-2737
Fax: 1-800-832-9296
Hours: 7:00 a.m. - 5:00 p.m., CST

sales@aymcdonald.com
www.aymcdonald.com

A.Y. McDonald considers the information on this assembly drawing correct when published. Item and option availability, including specifications, are subject to change without notice.

Submitted by: