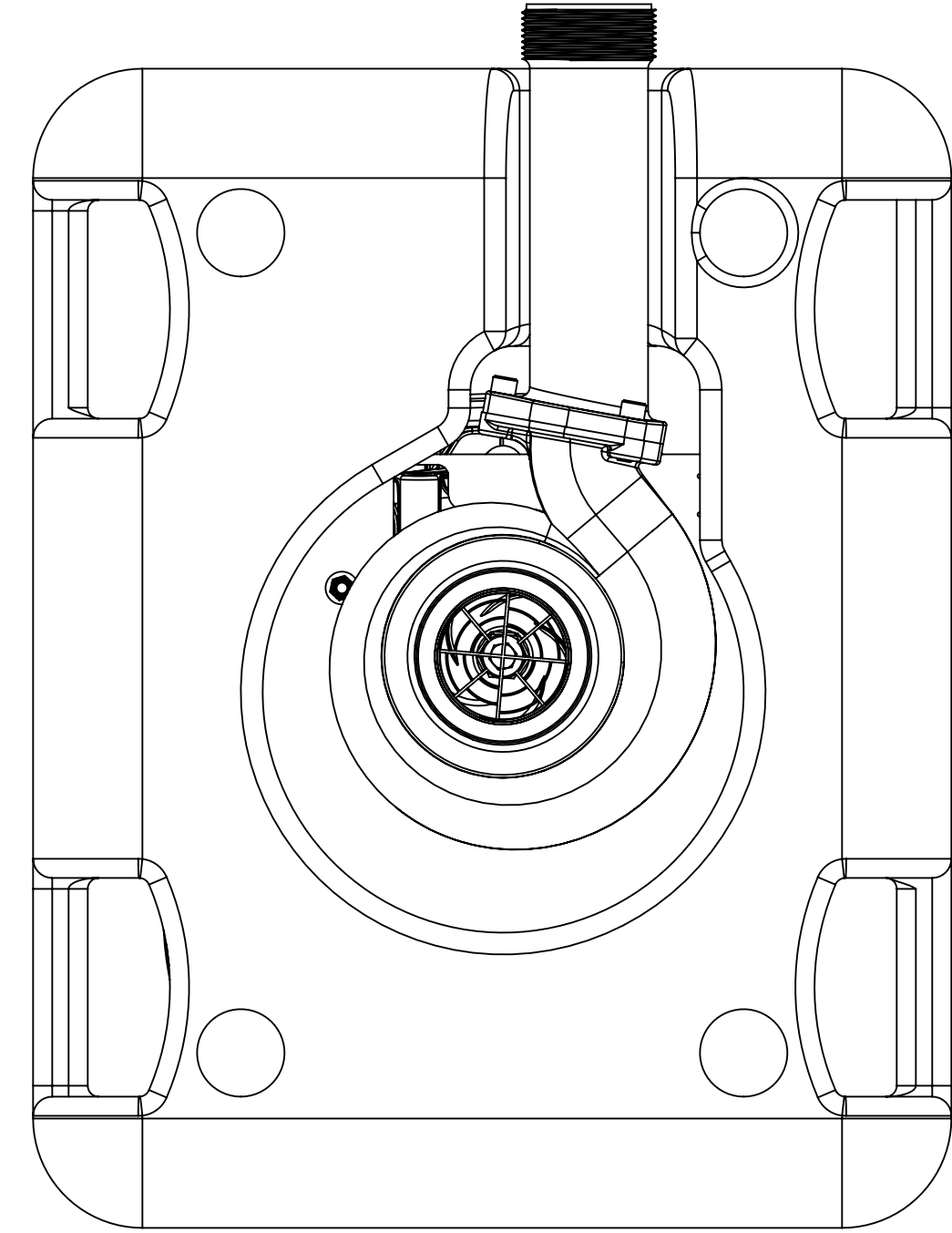
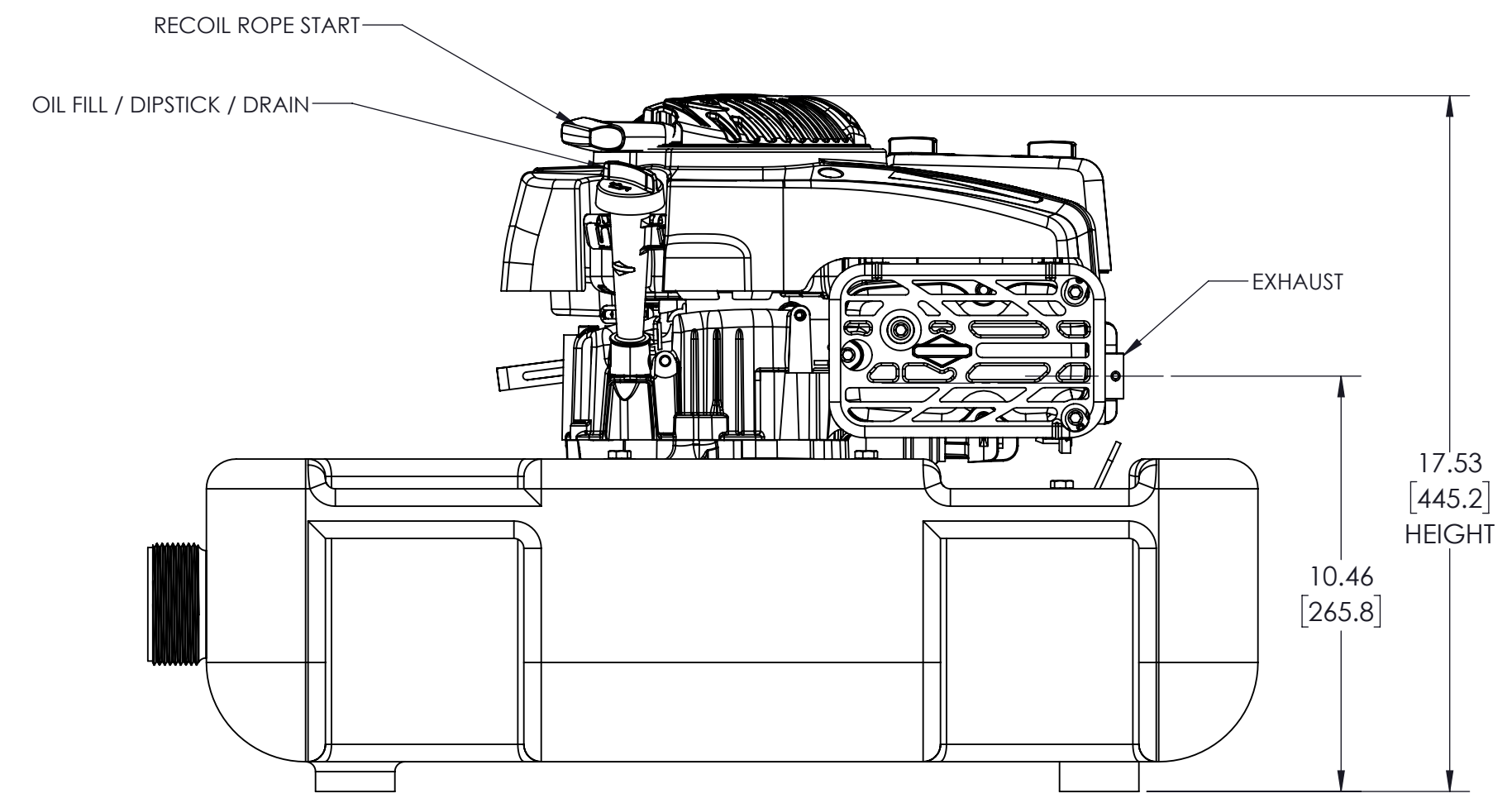
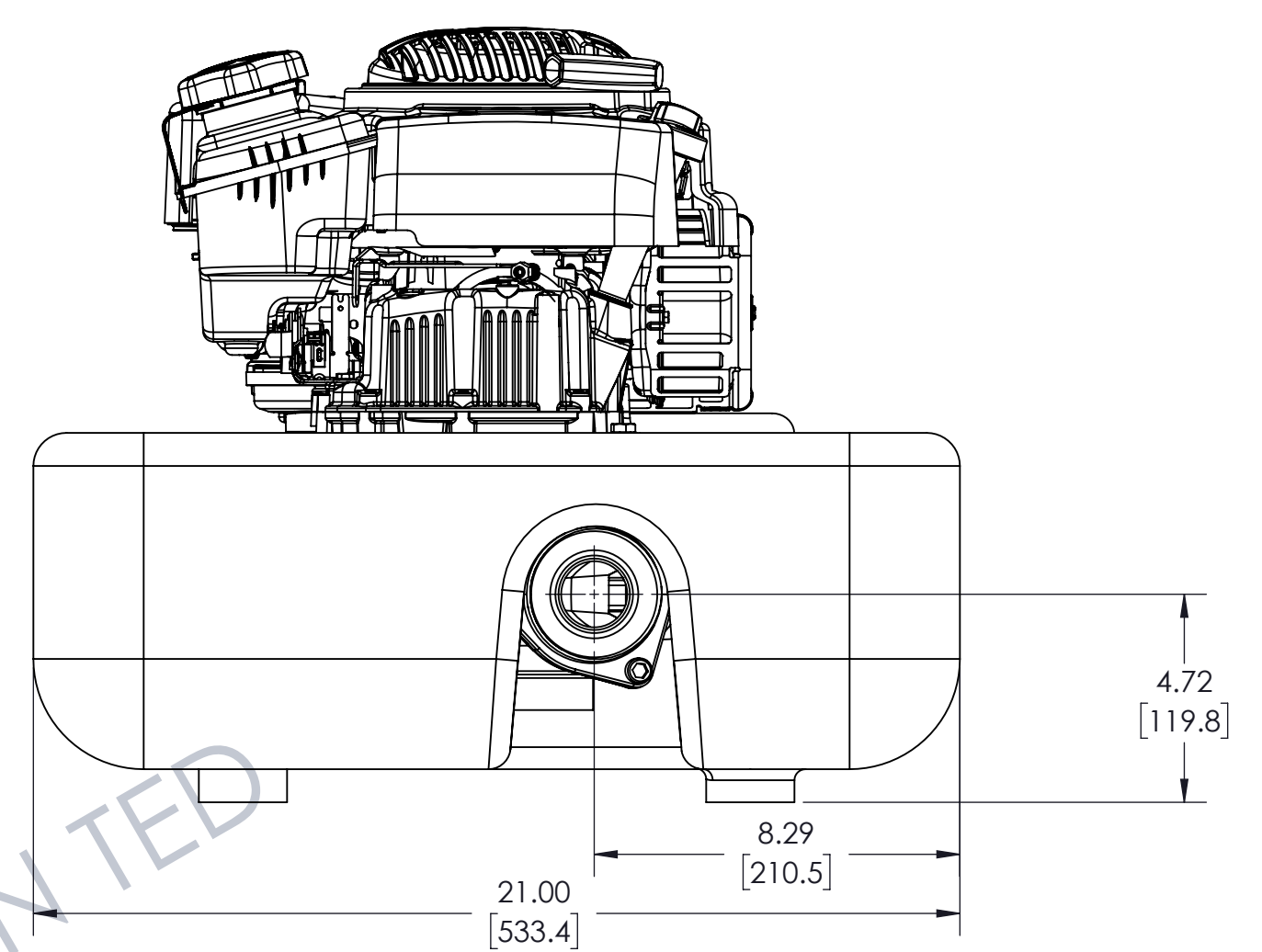
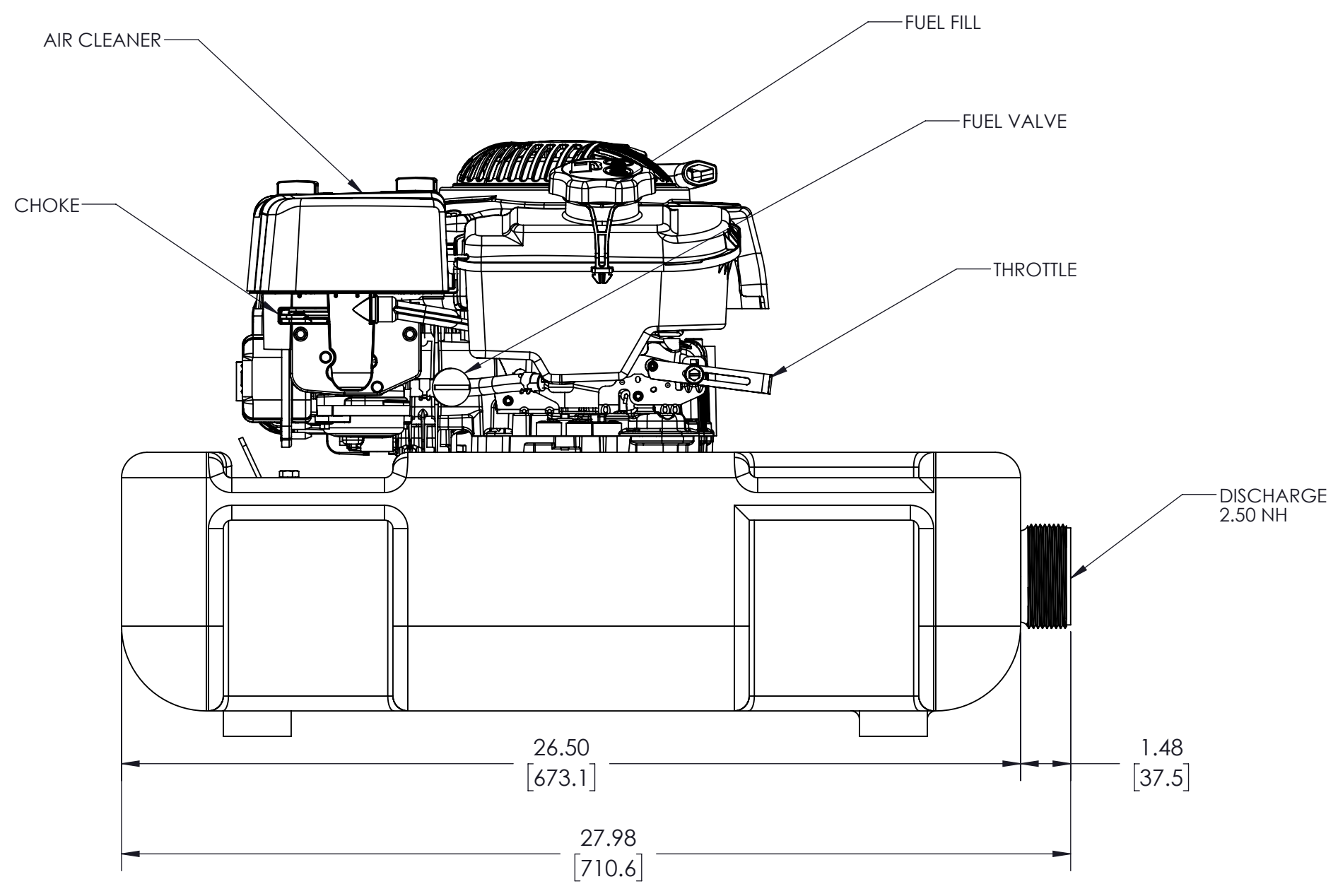
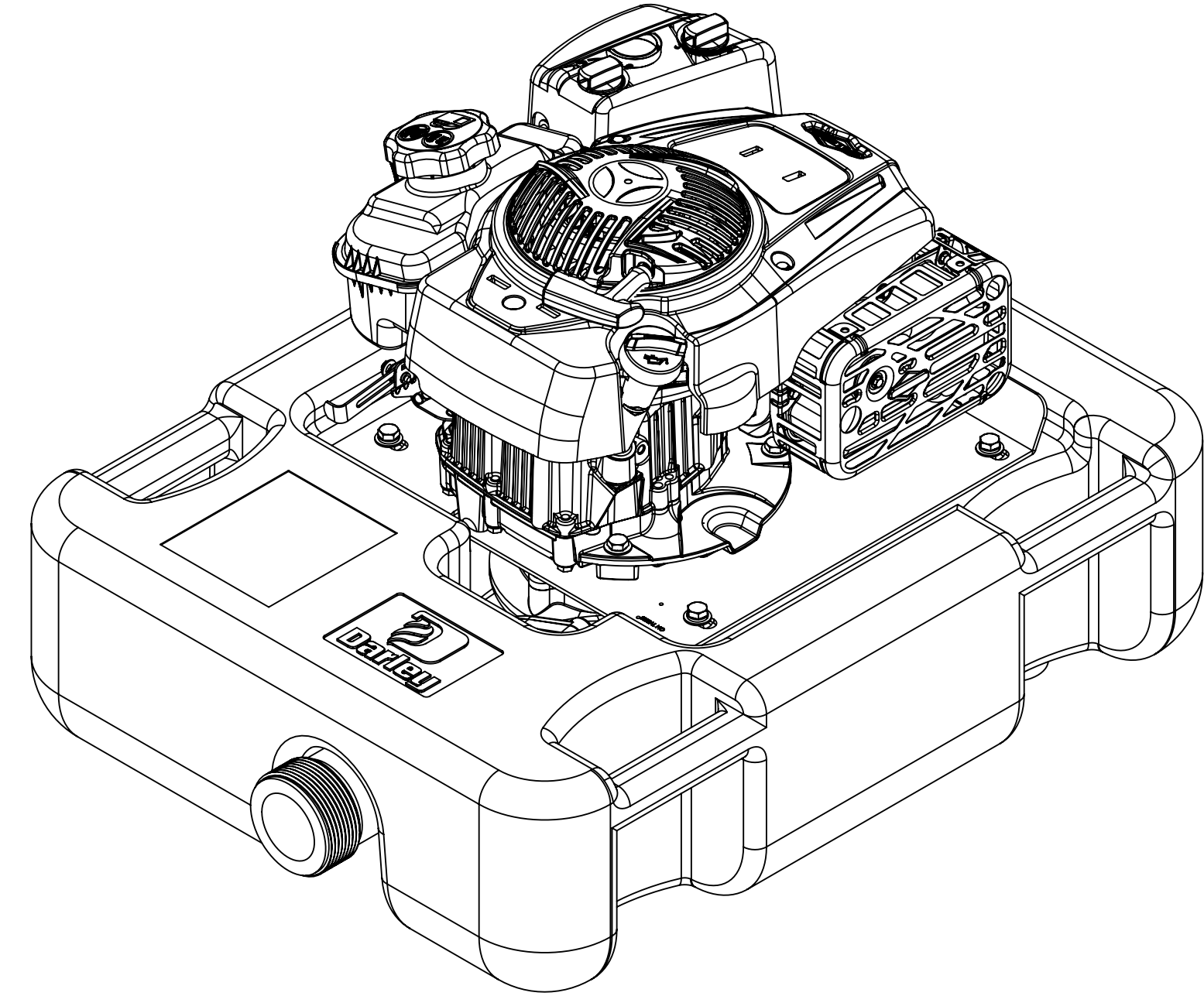
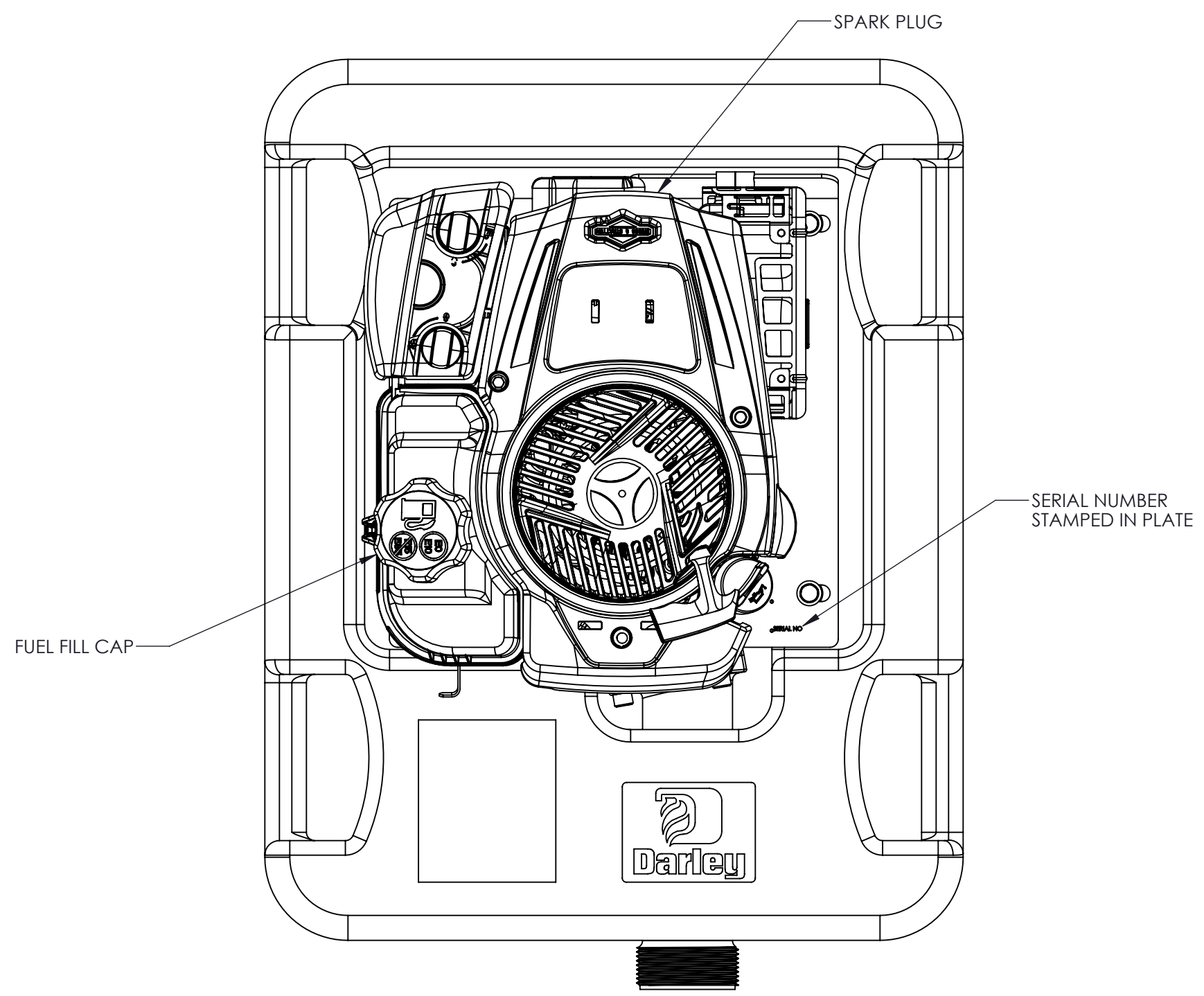
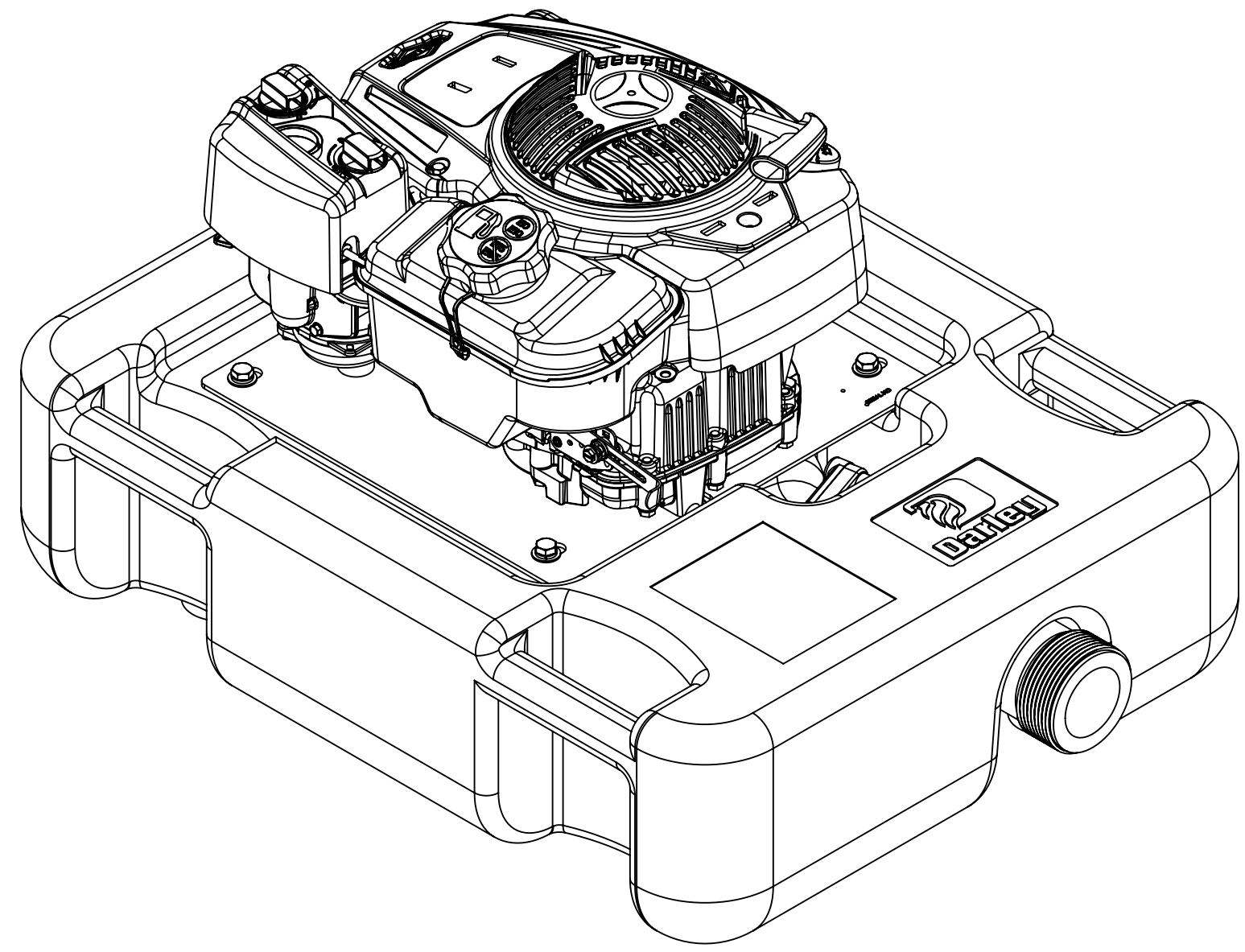
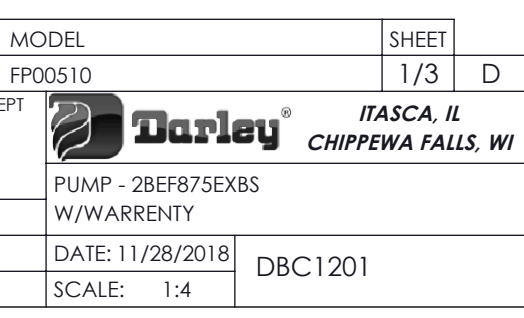


| REVISIONS | | | | | |
|-----------|------|-------------|------|---------|----------|
| ZONE | REV. | DESCRIPTION | DATE | CHG NO. | APPROVED |
| | | | | | |



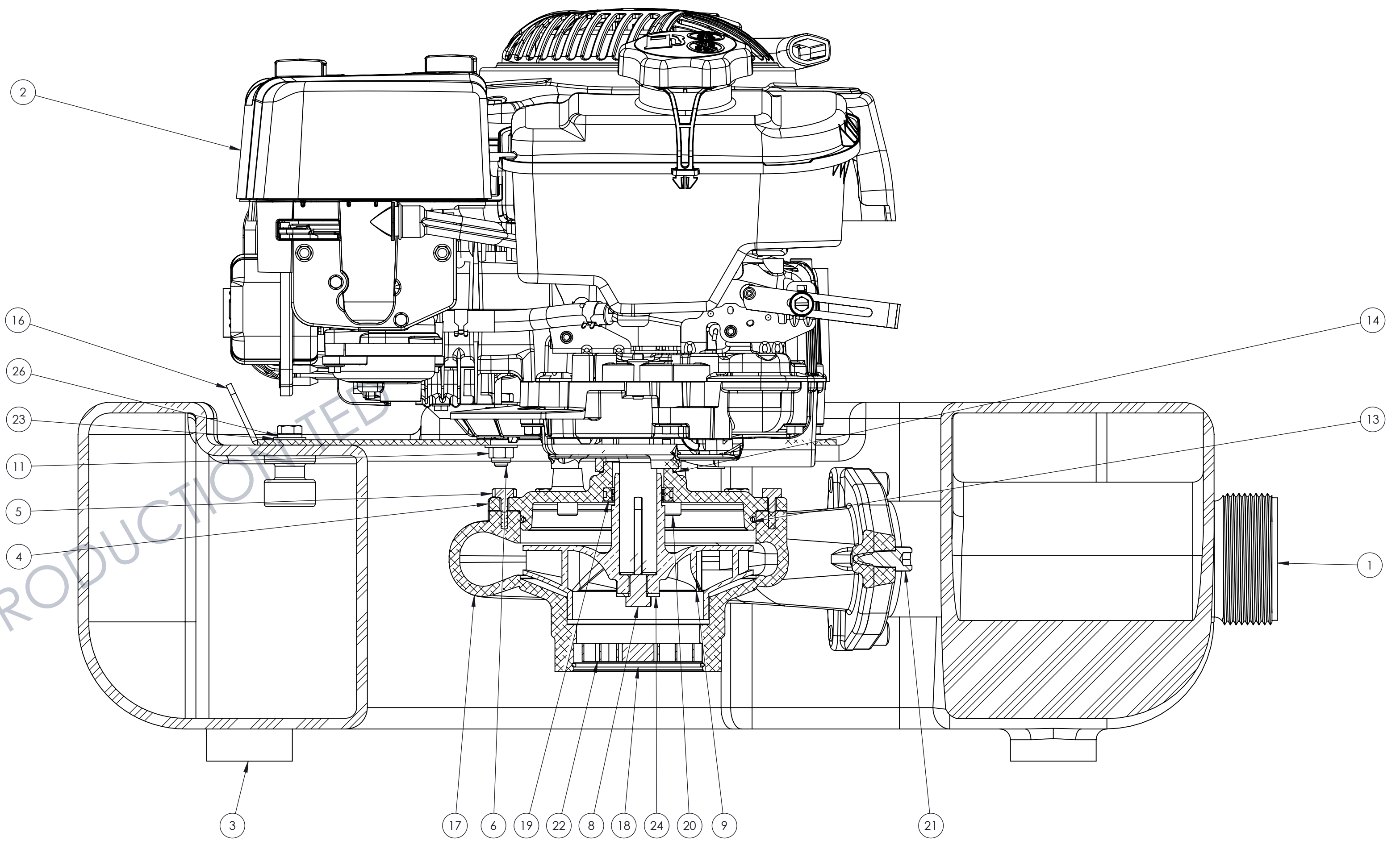
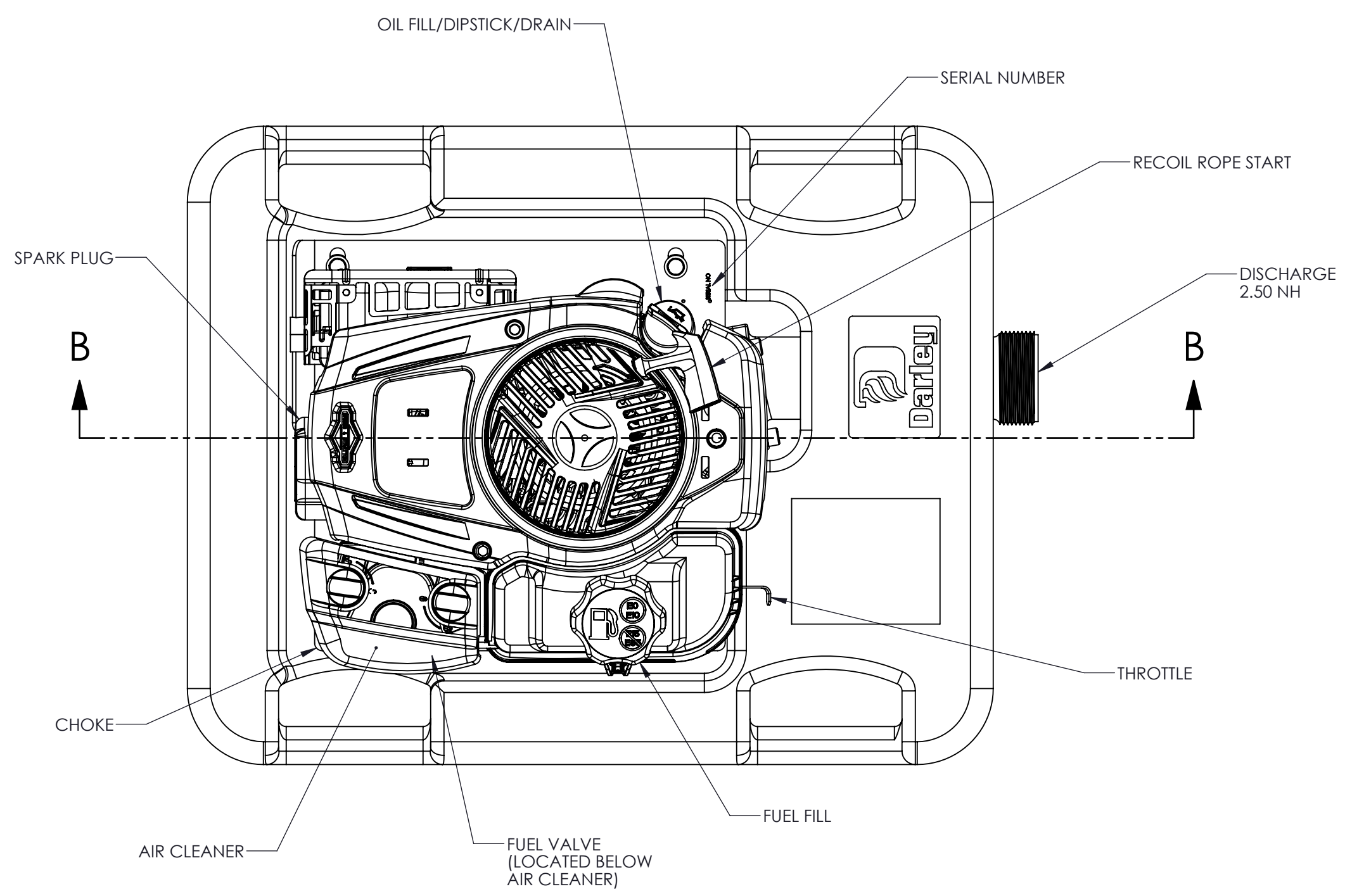
NOT FOR PRODUCTION TED

| | | | |
|---|---------------------------------------|------------------|-------------------------------------|
| THIRD ANGLE PROJECTION | | MODEL | SHEET |
| REMOVE SHARP EDGES | INCH [MILLIMETER] | FP00S10 | 1/3 D |
| MATERIAL DESCRIPTION | MASS | OLD PART NO. | TOLERANCE EXCEPT AS NOTED |
| | 54.22 LBS | MATERIAL NO. | .00 ±.03 .000 ±.010 ANGLES ±1 |
| THIS DESIGN IS THE PROPERTY OF WS. DARLEY CO. - UNAUTHORIZED REPRODUCTION IS PROHIBITED | ALL DIMENSIONS IN INCHES UNLESS NOTED | PATTERN NO. | DRWN TED |
| | | DATE: 11/28/2018 | DATE: 11/28/2018 |
| | | SCALE: 1:4 | DB1201 |



| ITEM NO. | File Name | DESCRIPTION | QTY. |
|----------|-----------|-----------------------------------|------|
| 1 | 2056005 | BODY - DISCH, LIGHT FLOAT | 1 |
| 2 | 4229401 | ENGINE - B&S 875EX, VERTICAL | 1 |
| 3 | 4436600 | FLOAT - 2BEF | 1 |
| 4 | 2810002 | HEAD - INBOARD, 2BEF | 1 |
| 5 | 5400641 | HHCS - .313-18 x 0.75, SST | 12 |
| 6 | 5400613 | HHCS - .313-18 x 1.50, SST | 2 |
| 7 | 5400688 | HHCS - .313-18 x 2.50, SST | 1 |
| 8 | 5400620 | HHCS - .375-24 x 1.00, SST | 1 |
| 9 | 2907721 | IMPELLER - 2BEF | 1 |
| 10 | 3602203 | KEY- WOODRUFF, 505, SST | 1 |
| 11 | 5403400 | NUT - HEX, .313-18, NYLOC, SST | 3 |
| 12 | 3601206 | O-RING - 2.75 x 3.00 x 0.12 | 1 |
| 13 | 3601117 | O-RING - 5.25 x 5.44 x 0.09 | 1 |
| 14 | 2002002 | PILOT BUSHING - 2BEF, FLOAT | 1 |
| 16 | 4012507 | PLATE - SUPPORT, 2BEF | 1 |
| 17 | 2055902 | PUMP CASING - 2BEF | 1 |
| 18 | 3600423 | RING - RETAINER, 2.81 ID | 1 |
| 19 | 1843400_1 | SEAL - MECHANICAL, DBL LIP 1.12" | 1 |
| 20 | 5401420 | SHCS - .313-24 x 1.25, SST | 4 |
| 21 | 5401410 | SHCS - .375-16 x 1.00, SST | 3 |
| 22 | 1121389 | STRAINER - HYDRANT, 3.00 | 1 |
| 23 | 3603812 | WASHER - FLAT, 0.31 ID, SST | 10 |
| 24 | 3603809 | WASHER - FLAT, 0.375 SST | 1 |
| 25 | 3603915 | WASHER - SPECIAL, .31 ID X .63 OD | 4 |
| 26 | 3603530 | WASHER - LOCK, 0.313 ID, SST | 4 |

| REVISIONS | | | | | |
|-----------|------|-------------|------|---------|----------|
| ZONE | REV. | DESCRIPTION | DATE | CHG NO. | APPROVED |
| - | - | See Sheet 1 | - | - | - |



SECTION B-B

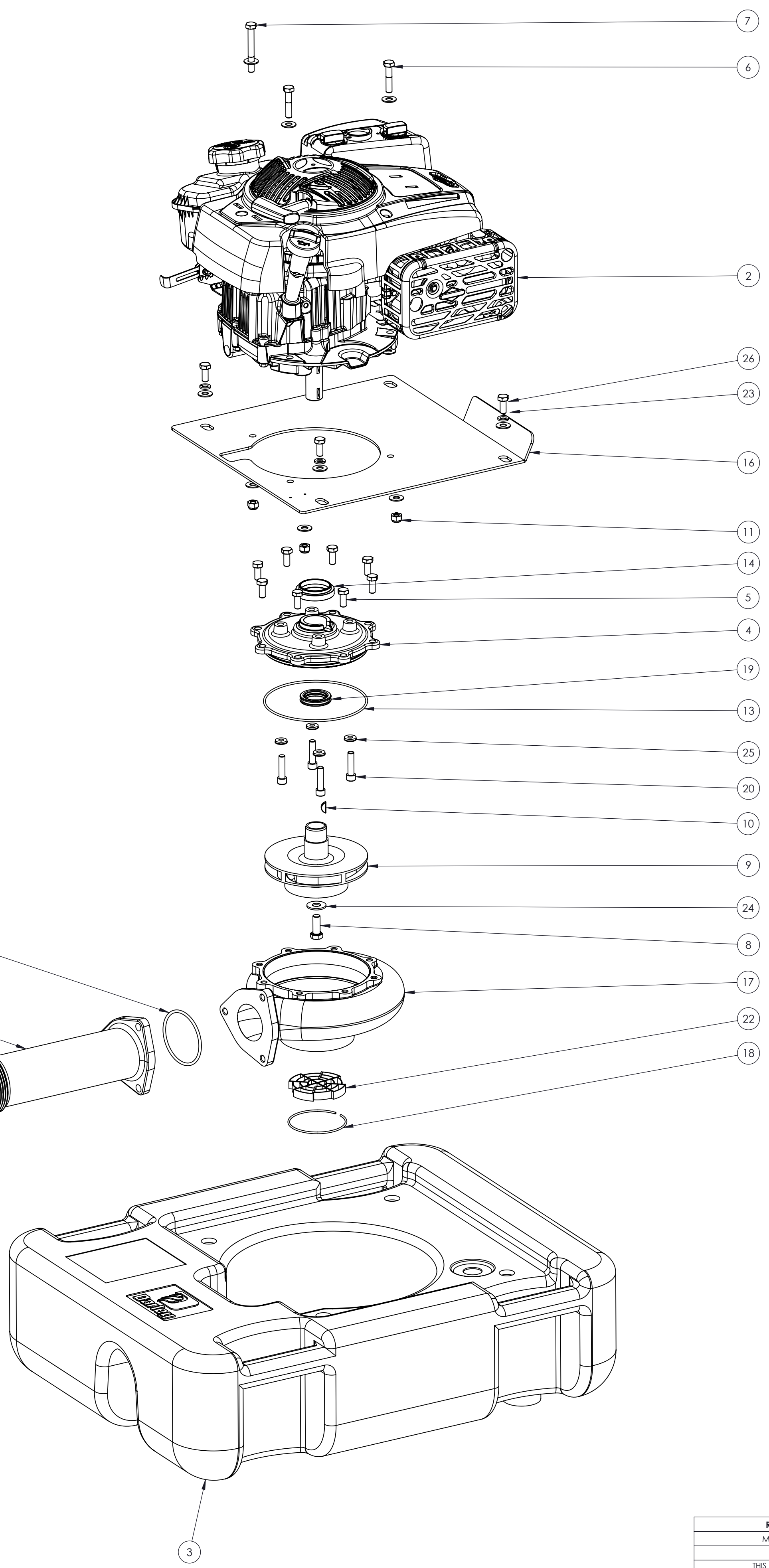
NOT FOR PRODUCTION

| | | | | | | | |
|---|--|--|--|--------------------|--|--|--|
| REMOVE SHARP EDGES | | THIRD ANGLE PROJECTION | | MODEL | | SHEET | |
| MATERIAL DESCRIPTION | | OLD PART NO. | | FP00S10 | | 2/3 | |
| MASS | | MATERIAL NO. | | PATTERN NO. | | D | |
| 54.22 LBS | | | | | | | |
| THIS DESIGN IS THE PROPERTY OF WS. DARLEY CO. - UNAUTHORIZED REPRODUCTION IS PROHIBITED | | TOLERANCE EXCEPT AS NOTED .00 ±.03 .000 ±.010 ANGLES ±1 | | PUMP - 2BEF875EXBS | | Darley ITASCA, IL CHIPPewa FALLS, WI | |
| ALL DIMENSIONS IN INCHES UNLESS NOTED | | DO NOT SCALE PRINT | | DRWN TED | | W/WARRANTY | |
| | | | | CKHD GDY | | DATE: 11/28/2018 | |
| | | | | TRCD | | SCALE: 1:2 | |
| | | | | | | DBC1201 | |

| ITEM NO. | PART # | DESCRIPTION | QTY. |
|----------|-----------|-----------------------------------|------|
| 1 | 2056005 | BODY - DISCH, LIGHT FLOAT | 1 |
| 2 | 4229401 | ENGINE - B&S 875EX, VERTICAL | 1 |
| 3 | 4436600 | FLOAT - 2BEF | 1 |
| 4 | 2810002 | HEAD - INBOARD, 2BEF | 1 |
| 5 | 5400641 | HHCS - .313-18 x 0.75, SST | 12 |
| 6 | 5400613 | HHCS - .313-18 x 1.50, SST | 2 |
| 7 | 5400688 | HHCS - .313-18 x 2.50, SST | 1 |
| 8 | 5400620 | HHCS - .375-24 x 1.00, SST | 1 |
| 9 | 2907721 | IMPELLER - 2BEF | 1 |
| 10 | 3602203 | KEY- WOODRUFF, 505, SST | 1 |
| 11 | 5403400 | NUT - HEX, .313-18, NYLOC, SST | 3 |
| 12 | 3601206 | O-RING - 2.75 x 3.00 x 0.12 | 1 |
| 13 | 3601117 | O-RING - 5.25 x 5.44 x 0.09 | 1 |
| 14 | 2002002 | PILOT BUSHING - 2BEF, FLOAT | 1 |
| 16 | 4012507 | PLATE - SUPPORT, 2BEF | 1 |
| 17 | 2055902 | PUMP CASING - 2BEF | 1 |
| 18 | 3600423 | RING - RETAINER, 2.81 ID | 1 |
| 19 | 1843400_1 | SEAL - MECHANICAL, DBL LIP 1.12" | 1 |
| 20 | 5401420 | SHCS - .313-24 x 1.25, SST | 4 |
| 21 | 5401410 | SHCS - .375-16 x 1.00, SST | 3 |
| 22 | 1121389 | STRAINER - HYDRANT, 3.00 | 1 |
| 23 | 3603812 | WASHER - FLAT, 0.31 ID, SST | 10 |
| 24 | 3603809 | WASHER - FLAT, 0.375 SST | 1 |
| 25 | 3603915 | WASHER - SPECIAL, .31 ID X .63 OD | 4 |
| 26 | 3603530 | WASHER - LOCK, 0.313 ID, SST | 4 |

| REVISIONS | | | | | |
|-----------|------|-------------|------|---------|----------|
| ZONE | REV. | DESCRIPTION | DATE | CHG NO. | APPROVED |
| - | - | See Sheet 1 | - | - | - |

NOT FOR PRODUCTION



| | | | | | | | |
|---|--|---------------------------------------|--|---------------------------|--|--------------------------------------|--|
| REMOVE SHARP EDGES | | THIRD ANGLE PROJECTION | | MODEL: FP00S10 | | SHEET: 3/3 | |
| INCH [MILLIMETER] | | OLD PART NO. | | TOLERANCE EXCEPT AS NOTED | | Darley ITASCA, IL CHIPPewa FALLS, WI | |
| MASS | | PATTERN NO. | | PUMP - 2BEF875EXBS | | W/WARRANTY | |
| 54.22 LBS | | DRWN: CKHD GDY | | DATE: 11/28/2018 | | SCALE: 1:4 | |
| THIS DESIGN IS THE PROPERTY OF WS. DARLEY CO. - UNAUTHORIZED REPRODUCTION IS PROHIBITED | | ALL DIMENSIONS IN INCHES UNLESS NOTED | | DO NOT SCALE PRINT | | DBC1201 | |