

PRODUCT INFORMATION PACKET



Model No: A4K17DB11A

Catalog No: E100115.00

1/4HP..1725RPM.48.DP.115/208-230V.1PH.60HZ.CONT.AUTOMATIC.40C.1.35SF.RIGID.GENERAL
PURPOSE.A4C17DB1H
Open Drip Proof (ODP)



Regal and Leeson are trademarks of Regal Beloit Corporation or one of its affiliated companies.

©2018 Regal Beloit Corporation, All Rights Reserved. MC017097E





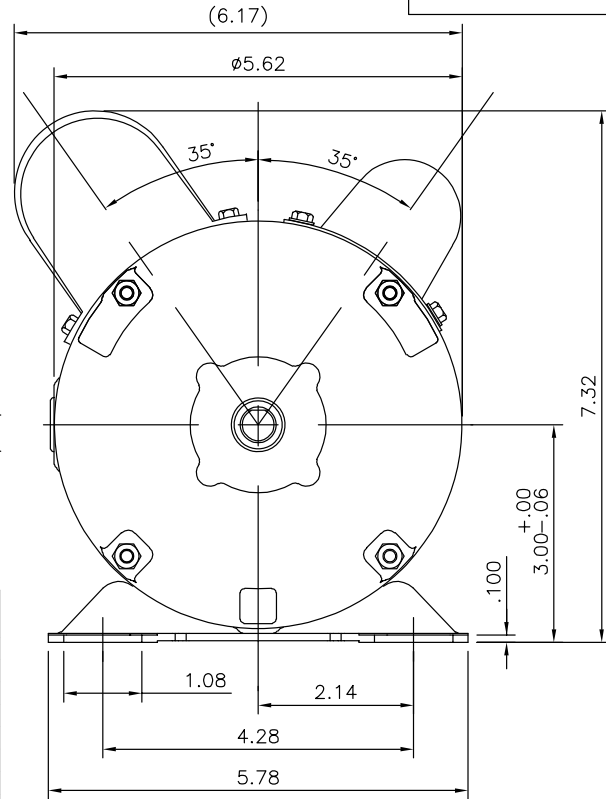
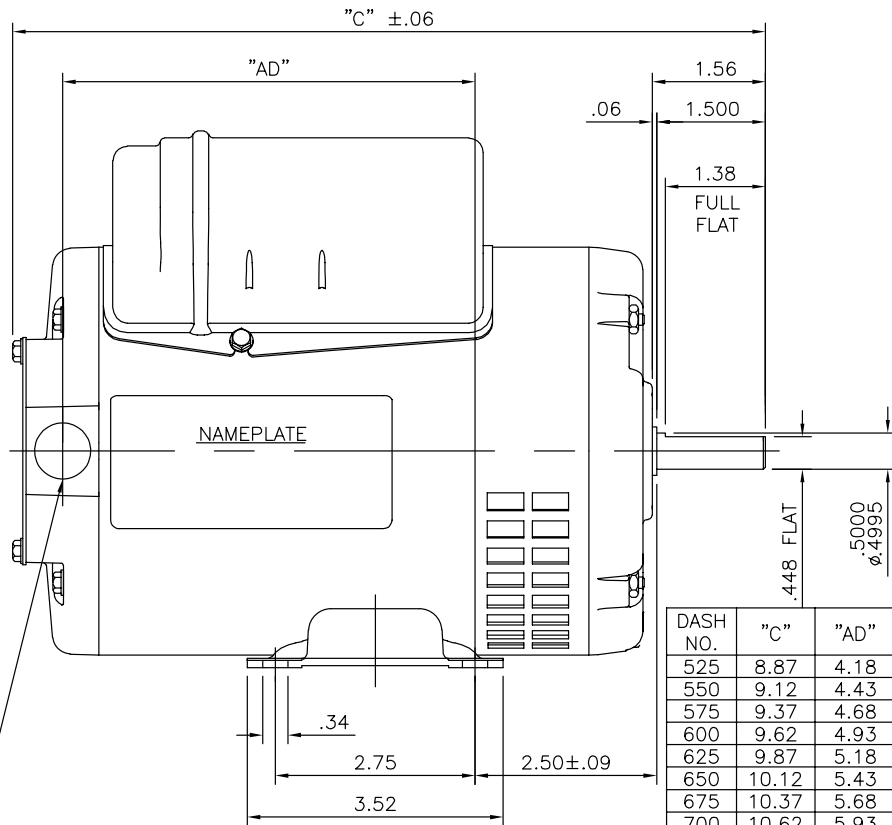
Nameplate Specifications

Output HP	0.25 Hp	Output KW	0.19 kW
Frequency	60 Hz	Voltage	115/230 V
Current	2.4/1.2 A	Speed	1725 rpm
Service Factor	1.35	Phase	1
Efficiency	68.5 %	Duty	Continuous
Insulation Class	F	Design Code	N
KVA Code	M	Frame	48
Enclosure	Drip Proof	Overload Protector	Automatic
Ambient Temperature	40 °C	Drive End Bearing Size	6203
Opp Drive End Bearing Size	6203	UL	Recognized
CSA	Y	CE	Y
IP Code	22		


Technical Specifications

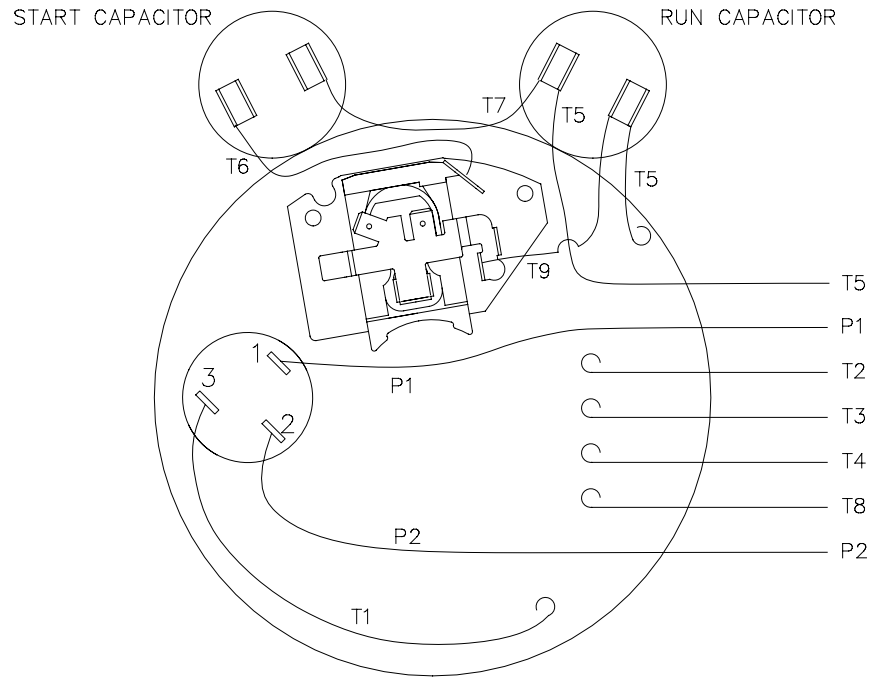
Electrical Type	Capacitor Start Capacitor Run	Starting Method	Across The Line
Poles	4	Rotation	Selective Counterclockwise
Mounting	Rigid base	Motor Orientation	HORIZONTAL
Drive End Bearing	BALL	Opp Drive End Bearing	BALL
Frame Material	Rolled Steel	Shaft Type	NEMA 48
Overall Length	10.12 in	Frame Length	6.50 in
Shaft Diameter	0.500 in	Shaft Extension	1.5 in
Assembly/Box Mounting	F1 ONLY		
Outline Drawing	SS404123-675	Connection Diagram	005053.40

SS404123



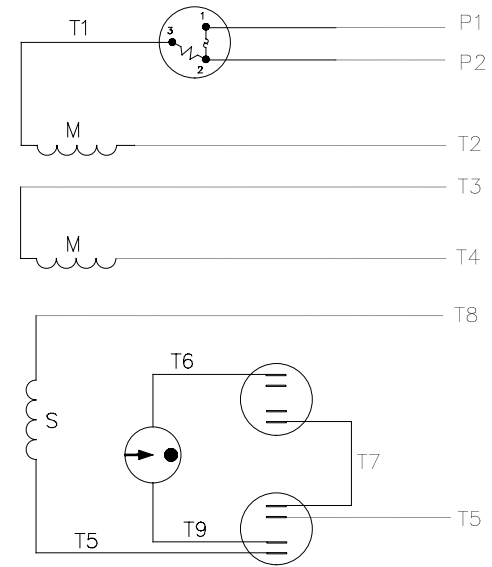
DASH NO.	"C"	"AD"
525	8.87	4.18
550	9.12	4.43
575	9.37	4.68
600	9.62	4.93
625	9.87	5.18
650	10.12	5.43
675	10.37	5.68
700	10.62	5.93
725	10.87	6.18
750	11.12	6.43
775	11.37	6.68
800	11.62	6.93

		TOLERANCES UNLESS SPECIFIED		 Regal Beloit America, Inc.	DRAWN JAH 12/04/2014
		DEC.	INCHES		CHK SM 12/04/2014
		.X	±0.1	TITLE	APPD
		.XX	±0.02	OUTLINE	SCALE NTS
B	ADDED DASH # 750,775,800 IN TABLE	PVR 12/17/14	SM .XXX ±0.005	S56 FRAME RIGID MOUNT - DRIP PROOF	REF SS404118
A	CREATED NEW DRAWING	JAH12/04/2014	SM .XXXX ±0.0005	MAT'L.	FMF
NO.	REVISION	BY & DATE	CHK ANG ±1.0	FINISH	PREV
THIS DRAWING IN DESIGN AND DETAIL IS OUR PROPERTY AND MUST NOT BE USED EXCEPT IN CONNECTION WITH OUR WORK ALL RIGHTS OF DESIGN AND INVENTION ARE RESERVED THIS IS AN ELECTRONICALLY GENERATED DOCUMENT - DO NOT SCALE THIS PRINT				RFP	CAD FILE
				SS404123	SIZE
				DIST	DRAWING NO.
				A	SS404123
					REV.
					B



VIEW FROM OUTSIDE OF MOTOR AT SWITCH END

LINE LEADS



	ROTATION FACING LEAD END	L1	L2	JOIN	INSULATE SEPARATE
HIGH VOLT	C.C.W.	P1	T4, T5	T2, T3 T8	P2
	C.W.	P1	T4, T8	T2, T3 T5	P2
LOW VOLT	C.C.W.	P1	T2, T4 T5	P2 T3, T8	---
	C.W.	P1	T2, T4 T8	P2 T3, T5	---

NO.	CHANGED	REVISION	BY & DATE	CHK	ANG	TOLERANCES UNLESS SPECIFIED	TOLERANCES UNLESS SPECIFIED	
							DEC.	INCHES
						.X	±.1	
						.XX	±.01	
						.XXX	±.005	
A	CHANGED LOGO TO REGAL		PST 2/1/16	SKM	.XXX	±.0005		
				CHK	ANG	±1/2*		

Regal Beloit America, Inc.

DRAWN PG 7/2/02	
CHK	APPD
SCALE 5=8	REF 005053.01
FMF 102827.00	PREV
TITLE EXTERNAL WIRING DIAGRAM TYPE "K" W/PROTECTOR	REV. A
MAT'L DUAL VOLTAGE - DUAL ROTATION	SIZE A
FINISH	DRAWING NO. 005053-40
RFP CAD FILE 00505340	REV. A
DIST	

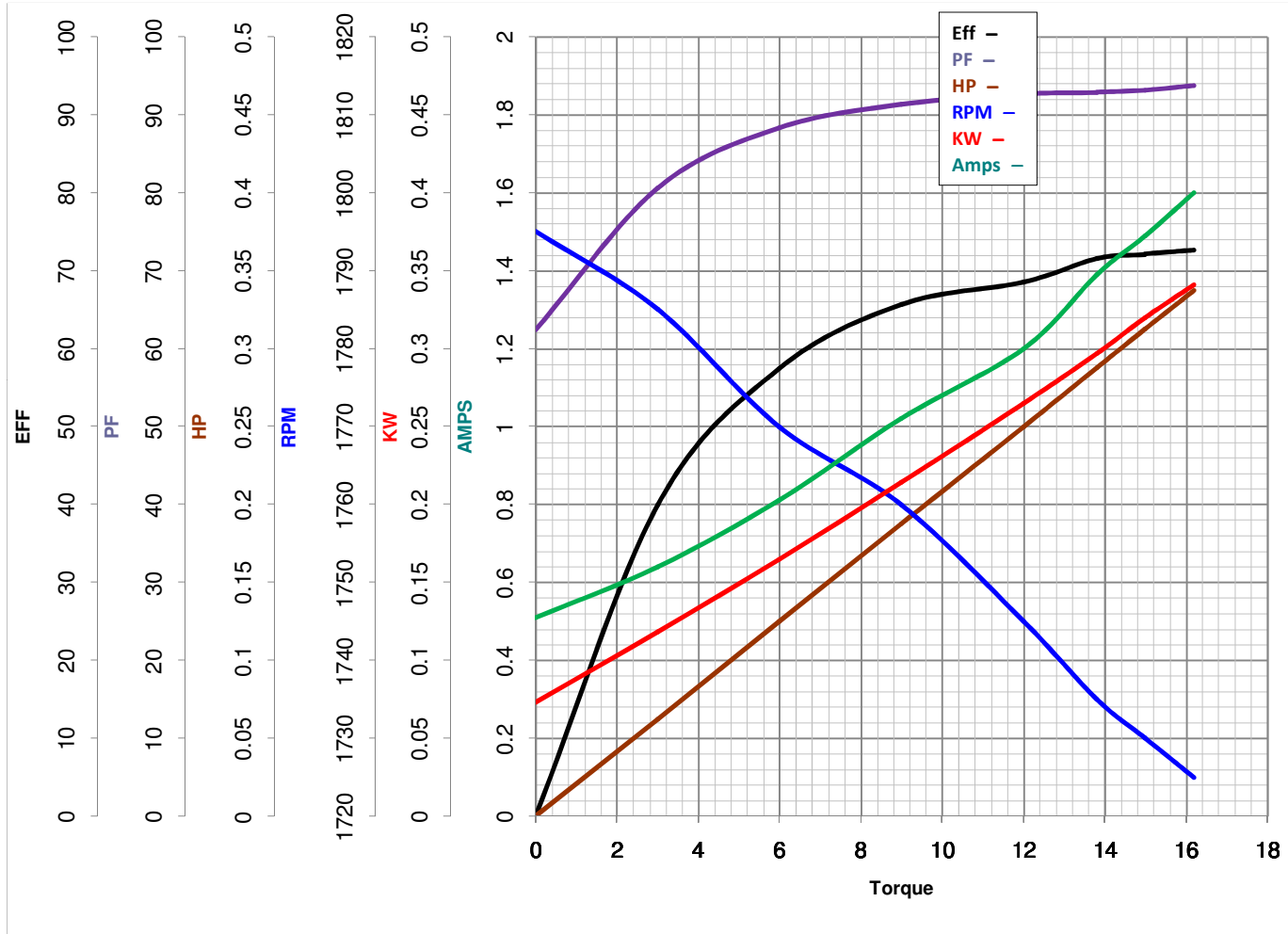
THIS DRAWING IN DESIGN AND DETAIL IS OUR PROPERTY AND MUST NOT BE USED EXCEPT IN CONNECTION WITH OUR WORK ALL RIGHTS OF DESIGN AND INVENTION ARE RESERVED THIS IS AN ELECTRONICALLY GENERATED DOCUMENT - DO NOT SCALE THIS PRINT



LEESON ELECTRIC CORPORATION
TYPICAL PERFORMANCE CURVE for AC MOTOR

Curve at 230 Volts HP 0.26 PHASE 1
60 HZ
0.25 HP VOLTS 115/230
HZ 60 RPM 1725

Model No E100115.00
 Catalog No E100115.00



Torque in Oz.Ft

FL TORQUE 12 Oz.Ft
 BD TORQUE 31.0 Oz.Ft
 LR TORQUE 40.7 Oz.Ft

FL AMPS 2.4/1.2
 PU TORQUE 40.7 Oz.Ft
 LR AMPS 10.7

WINDING BE484113-3

Date 3/26/2018