

# PRODUCT INFORMATION PACKET



Model No: A4K17DR6G

Catalog No: 101585.00

1/2HP..1725RPM.48.DP./115V.1PH.60HZ.CONT.AUTOMATIC.40C.1.35SF.RESILIENT  
BASE.WATTSAYER.A4K17DR6G

Single Phase



Regal and Leeson are trademarks of Regal Beloit Corporation or one of its affiliated companies.

©2018 Regal Beloit Corporation, All Rights Reserved. MC017097E





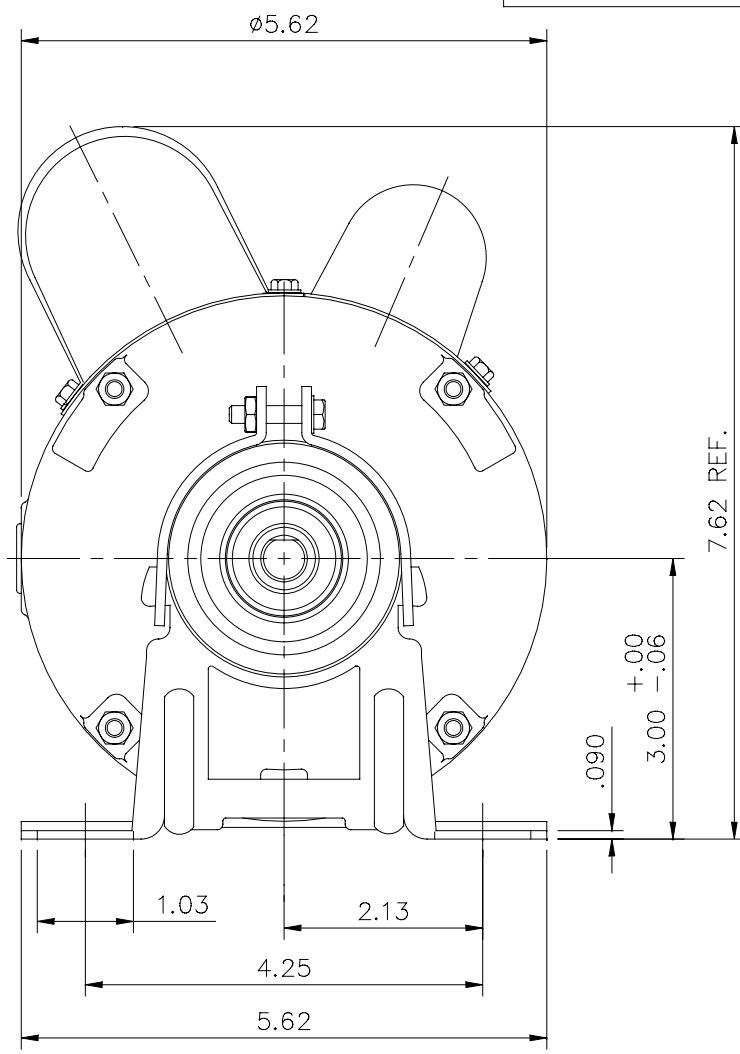
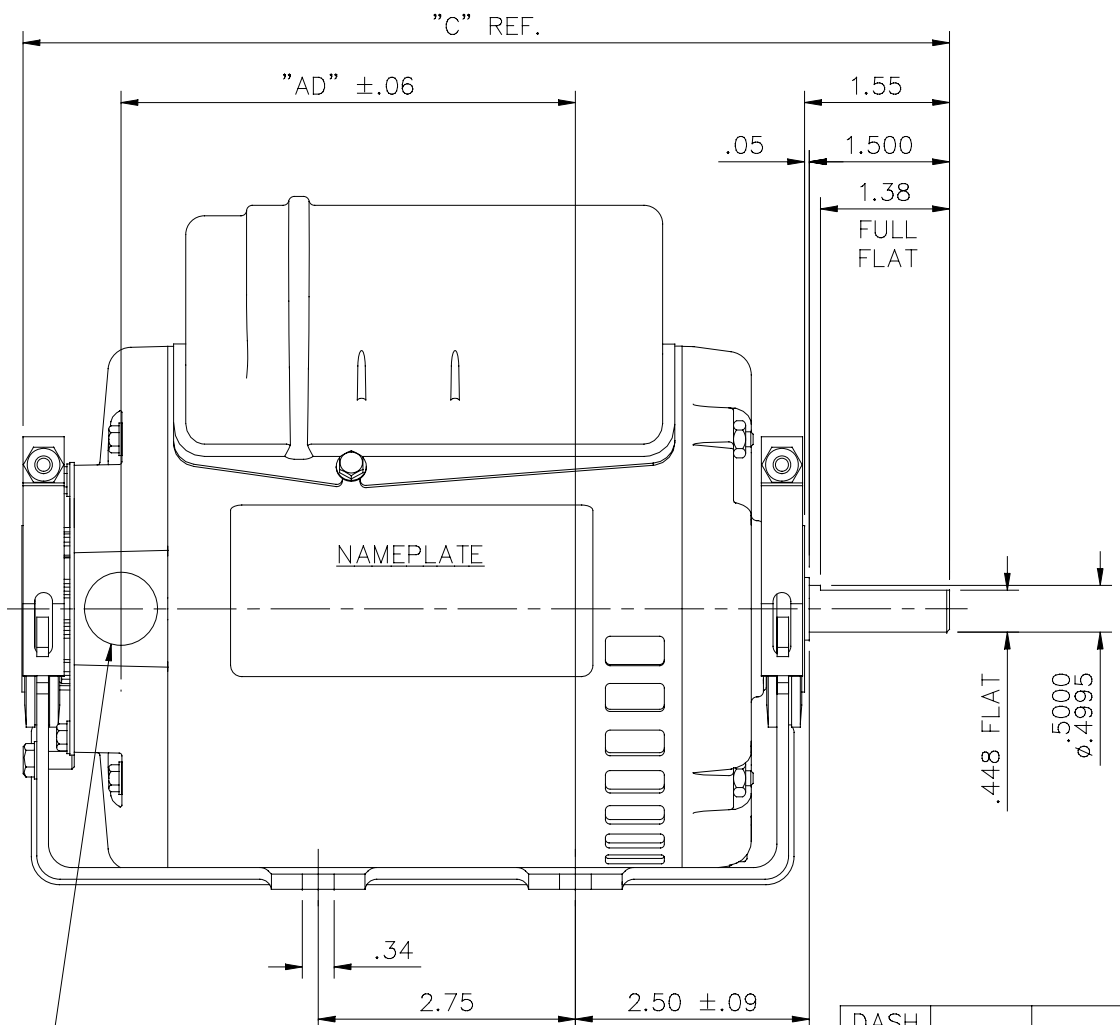
**Nameplate Specifications**

Output HP	<b>0.50 Hp</b>	Output KW	<b>0.37 kW</b>
Frequency	<b>60 Hz</b>	Voltage	<b>115 V</b>
Current	<b>4.6 A</b>	Speed	<b>1725 rpm</b>
Service Factor	<b>1.35</b>	Phase	<b>1</b>
Efficiency	<b>76 %</b>	Duty	<b>Continuous</b>
Insulation Class	<b>B</b>	Design Code	<b>N</b>
KVA Code	<b>F</b>	Frame	<b>48</b>
Enclosure	<b>Drip Proof</b>	Overload Protector	<b>Automatic</b>
Ambient Temperature	<b>40 °C</b>	Drive End Bearing Size	<b>6203</b>
Opp Drive End Bearing Size	<b>6203</b>	UL	<b>Recognized</b>
CSA	<b>Y</b>	CE	<b>N</b>
IP Code	<b>22</b>		

**Technical Specifications**

Electrical Type	<b>Capacitor Start Capacitor Run</b>	Starting Method	<b>Across The Line</b>
Poles	<b>4</b>	Rotation	<b>Selective Counterclockwise</b>
Mounting	<b>Resilient Base</b>	Motor Orientation	<b>HORIZONTAL</b>
Drive End Bearing	<b>BALL</b>	Opp Drive End Bearing	<b>BALL</b>
Frame Material	<b>Rolled Steel</b>	Shaft Type	<b>NEMA 48</b>
Overall Length	<b>11.39 in</b>	Frame Length	<b>7.00 in</b>
Shaft Diameter	<b>0.500 in</b>	Shaft Extension	<b>1.5 in</b>
Assembly/Box Mounting	<b>F1 ONLY</b>		
Outline Drawing	<b>031761-700</b>	Connection Diagram	<b>005056.58</b>

031761



DASH NO.	"C"	"AD"
550	9.89	4.84
600	10.39	5.34
650	10.89	5.84
700	11.39	6.34

TOLERANCES UNLESS SPECIFIED	
DEC.	INCHES
.X	±.1
.XX	±.03
.XXX	±.005
.XXXX	±.0005
NO.	±1/2"

**REGAL**™ Regal Beloit America, Inc.

TITLE OUTLINE - 48 FRAME  
RESILIENT MOUNT - DRIP PROOF

MAT'L. 1 PHASE  
FINISH STANDARD

CAD FILE 031761

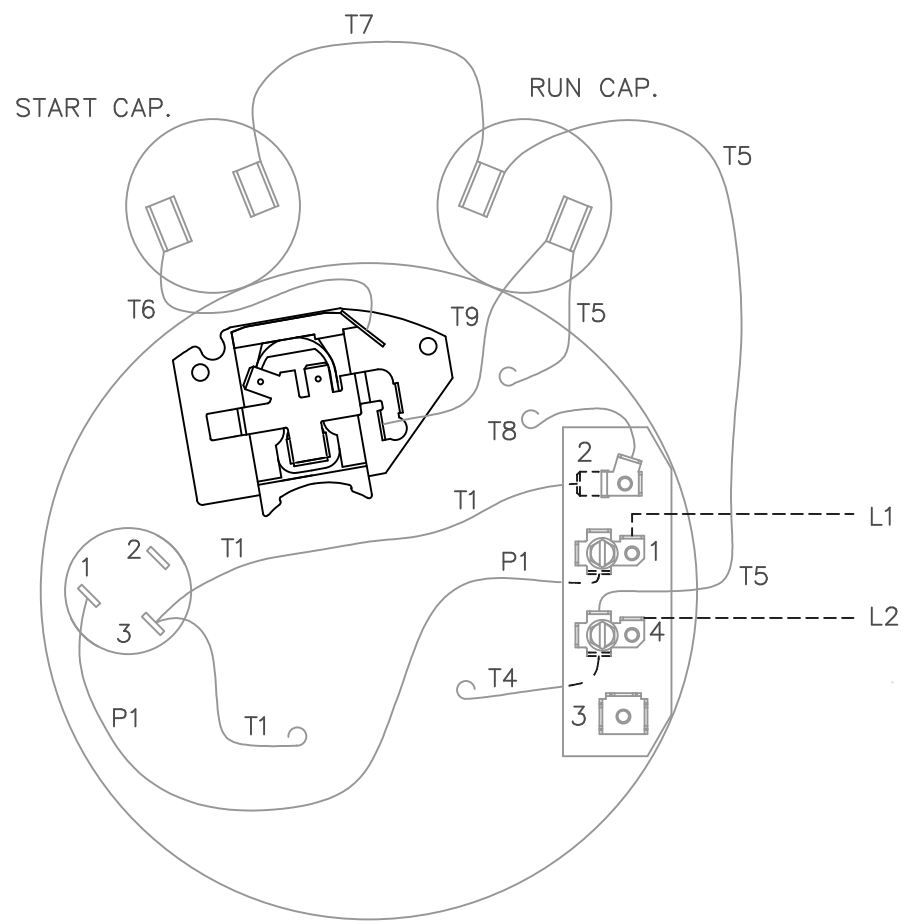
DRAWN PG 3/2/04  
CHK  
APPD  
SCALE 1=2  
REF 030826  
FMF 101585.00  
PREV

NO.	REVISION	BY & DATE	CHK	ANG
A	UPDATED CAP LOCATION PER ECO-0077700	PST 09/18/15		

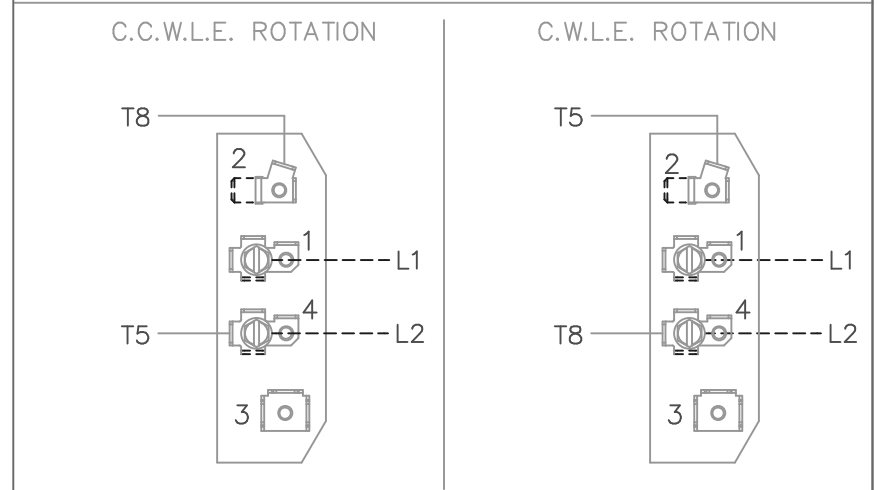
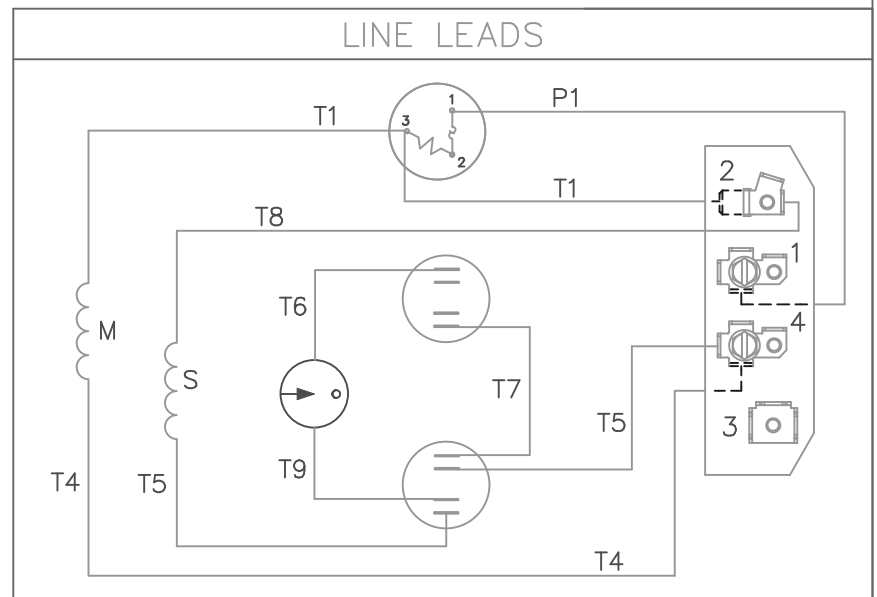
THIS DRAWING IN DESIGN AND DETAIL IS OUR PROPERTY AND MUST NOT BE USED EXCEPT IN CONNECTION WITH OUR WORK ALL RIGHTS OF DESIGN AND INVENTION ARE RESERVED THIS IS AN ELECTRONICALLY GENERATED DOCUMENT - DO NOT SCALE THIS PRINT

SIZE A  
DRAWING NO. 031761  
REV. A

VIEW FROM OUTSIDE OF MOTOR AT SWITCH END.



P1, T1, T4 TO GO TO  
BACK SIDE OF TERMINAL BOARD



		TOLERANCES UNLESS SPECIFIED	
		DEC.	INCHES
		.X	±.1
		.XX	±.01
		.XXX	±.005
		.XXXX	±.0005
NO.	REVISION	BY & DATE	CHK ANG ±1/2'
THIS DRAWING IN DESIGN AND DETAIL IS OUR PROPERTY AND MUST NOT BE USED EXCEPT IN CONNECTION WITH OUR WORK ALL RIGHTS OF DESIGN AND INVENTION ARE RESERVED THIS IS AN ELECTRONICALLY GENERATED DOCUMENT - DO NOT SCALE THIS PRINT		RFP	DIST



ELECTRIC MOTORS  
GEARMOTORS  
AND DRIVES

TITLE	EXTERNAL WIRING DIAGRAM TYPE "K" W/PROTECTOR	DRAWN	PG 3/2/04
MAT'L.	SINGLE VOLTAGE - DUAL ROTATION	CHK	
FINISH		APPD	
CAD FILE	00505658	SCALE	1=1
SIZE	A	REF	005056-02
DRAWING NO.	005056-58	FMF	101585.00
REV.		PREV	



LEESON ELECTRIC CORPORATION  
TYPICAL PERFORMANCE CURVE for AC MOTOR

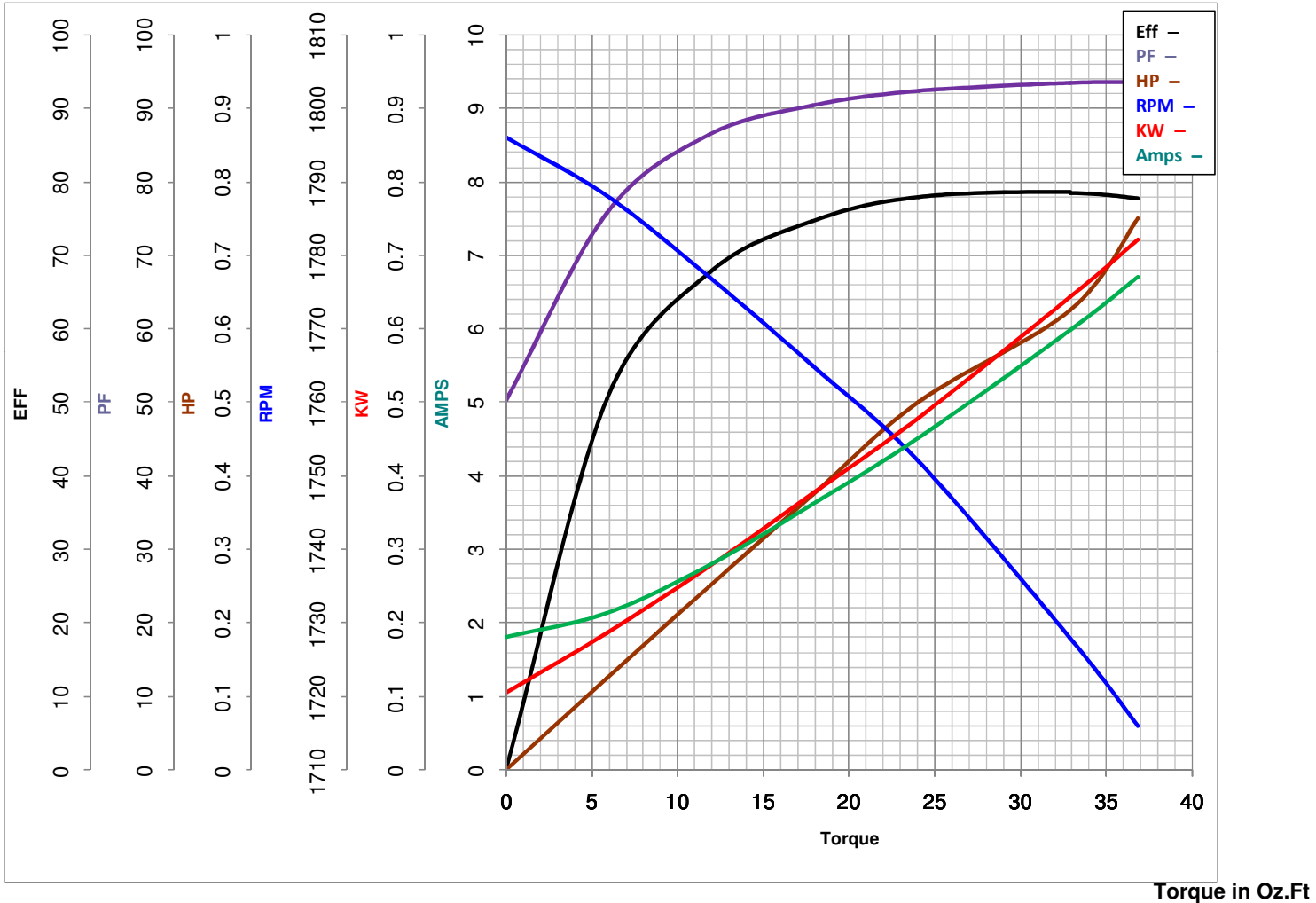
Curve at 115 Volts HP 0.50 PHASE 1  
60 HZ  
0.5 HP VOLTS 115

Model No 101585.00

Catalog No 101585.00

HZ 60

RPM 1725



<b>FL TORQUE</b>	<u>24.04</u> Oz.Ft	<b>FL AMPS</b>	<u>4.6</u>
<b>BD TORQUE</b>	<u>59.7</u> Oz.Ft	<b>PU TORQUE</b>	<u>57.3</u> Oz.Ft
<b>LR TORQUE</b>	<u>58.6</u> Oz.Ft	<b>LR AMPS</b>	<u>27.1</u>
<b>WINDING</b>	BE48471-1	<b>Date</b>	3/13/2018