

PRODUCT INFORMATION PACKET



Model No: A4P11NB53A

Catalog No: A099261.00

A099261.00..1/3HP..1075RPM.48Z.TENV.115/230V.1PH.60HZ.AIROVER.40C.1.0SF.RIGID-EXTENDED
STUD.A4P11NB53A.....

Agricultural



Regal and Leeson are trademarks of Regal Beloit Corporation or one of its affiliated companies.

©2018 Regal Beloit Corporation, All Rights Reserved. MC017097E





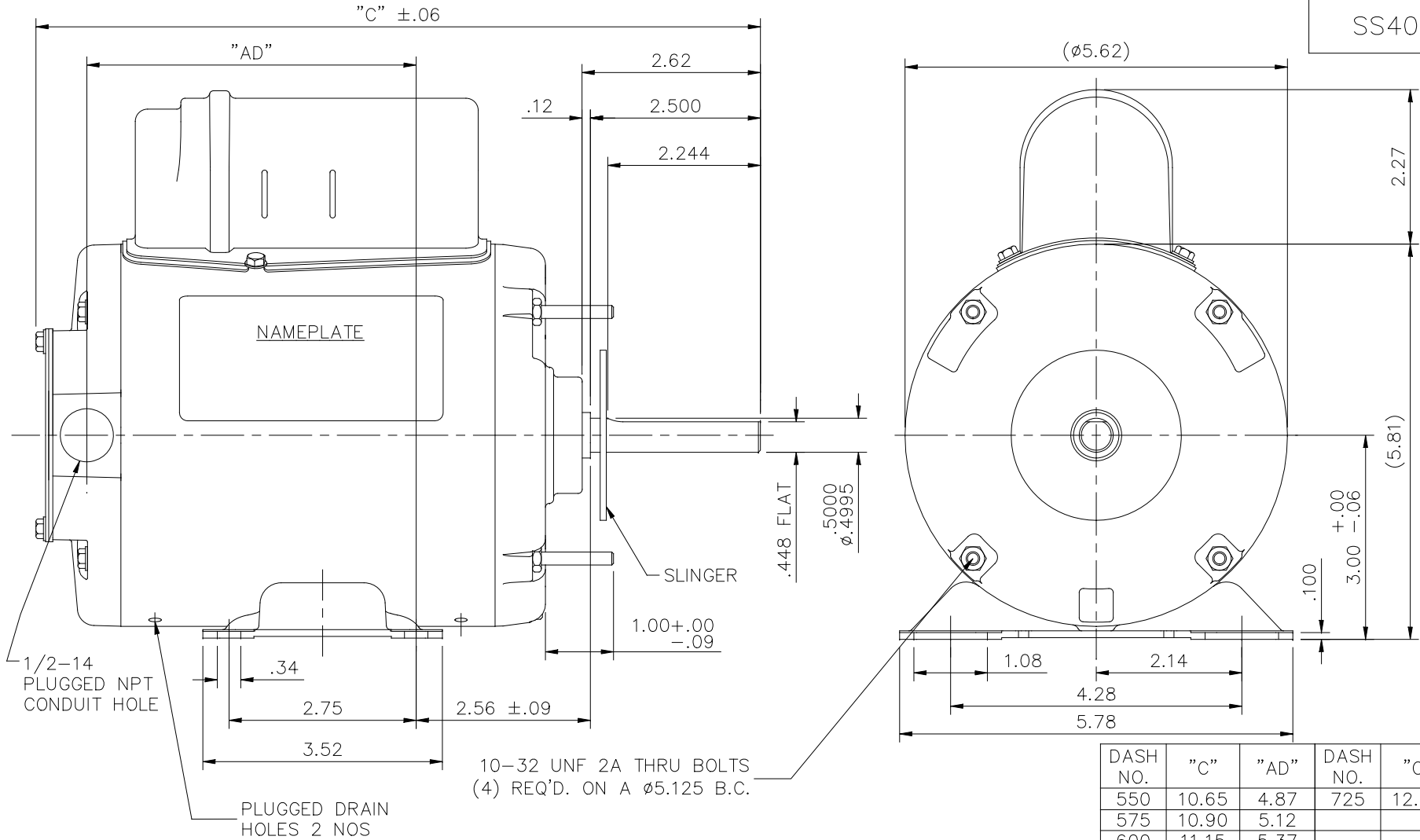
Nameplate Specifications

Output HP	0.33 Hp	Output KW	0.25 kW
Frequency	60 Hz	Voltage	115/230 V
Current	3.5/1.8 A	Speed	1075 rpm
Service Factor	1	Phase	1
Efficiency	72 %	Duty	Continuous
Insulation Class	B	Design Code	N
KVA Code	E	Frame	48Z
Enclosure	Totally Enclosed Air Over	Overload Protector	Automatic Lock Rotor Only
Ambient Temperature	40 °C	Drive End Bearing Size	6203
Opp Drive End Bearing Size	6203	UL	Recognized
CSA	Y	CE	N
IP Code	43		

Technical Specifications


Electrical Type	Permanent Split Capacitor	Starting Method	Across The Line
Poles	6	Rotation	Selective Counterclockwise
Mounting	Rigid - Extended Studs	Motor Orientation	HORIZONTAL
Drive End Bearing	BALL	Opp Drive End Bearing	BALL
Frame Material	Rolled Steel	Shaft Type	Single Special Extension
Overall Length	10.90 in	Frame Length	5.75 in
Shaft Diameter	0.500 in	Shaft Extension	2.24 in
Assembly/Box Mounting	F1 ONLY		
Outline Drawing	A-SS404022-575	Connection Diagram	A-005109-15

SS404022

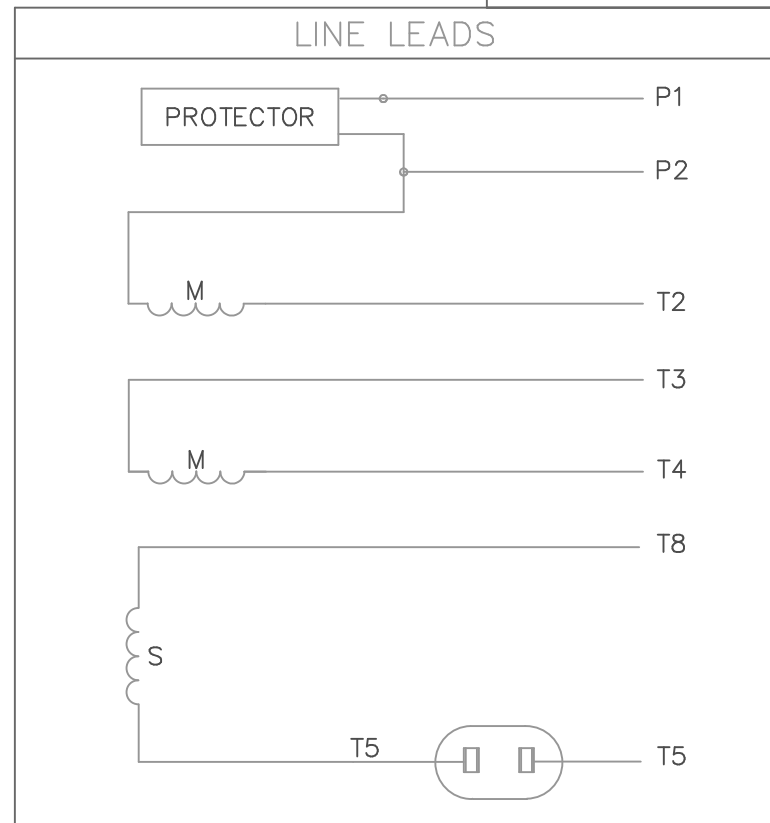
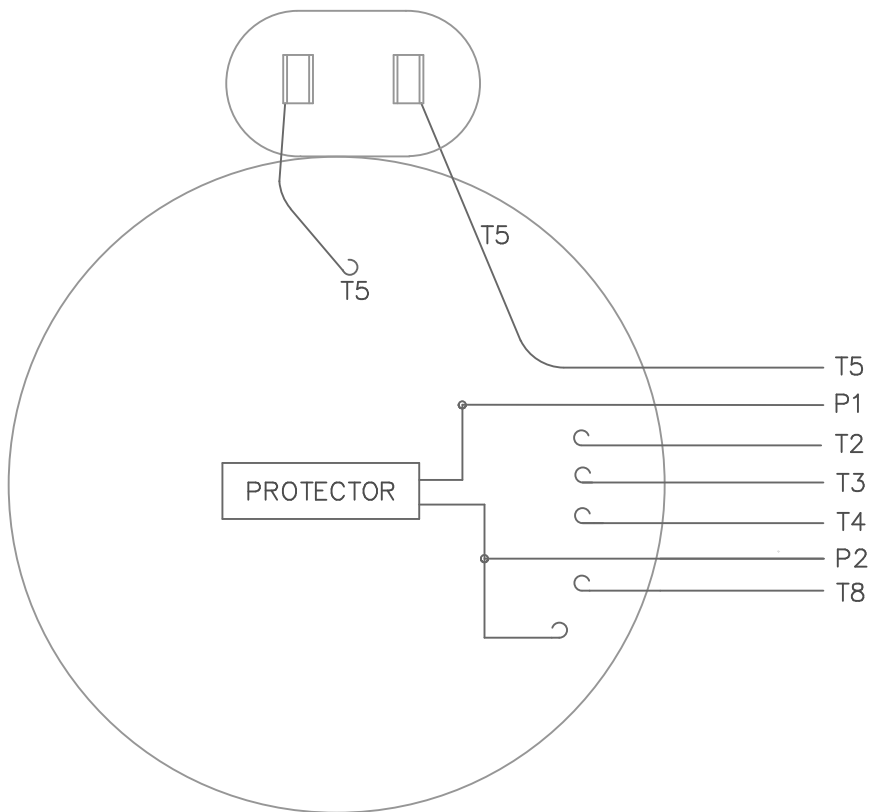


DASH NO.	"C"	"AD"	DASH NO.	"C"	"AD"
550	10.65	4.87	725	12.40	6.62
575	10.90	5.12			
600	11.15	5.37			
625	11.40	5.62			
650	11.65	5.87			
675	11.90	6.12			
700	12.15	6.37			


NOTE: GASKETS THROUGHOUT

				TOLERANCES UNLESS SPECIFIED		 ELECTRIC MOTORS GEARMOTORS AND DRIVES		DRAWN PST 05-15-2013		
				DEC.	INCHES			CHK	SM 05-15-2013	
				.X	±.1	TITLE OUTLINE - 48 FRAME RIGID MOUNT - ENCLOSED		APPD		
				.XX	±.03			SCALE 1:1		
				.XXX	±.005			REF 031707		
A	THRU BOLT TOL. WAS	-.06 ECO-0121907	PST 4/17/17	AP	.XXXX	±.0005	MAT'L.	FMF 103779.00		
NO.	REVISION		BY & DATE	CHK	ANG	±1/2'	FINISH	PREV		
THIS DRAWING IN DESIGN AND DETAIL IS OUR PROPERTY AND MUST NOT BE USED EXCEPT IN CONNECTION WITH OUR WORK ALL RIGHTS OF DESIGN AND INVENTION ARE RESERVED THIS IS AN ELECTRONICALLY GENERATED DOCUMENT - DO NOT SCALE THIS PRINT				RFP	CAD FILE		SS404022	SIZE	DRAWING NO.	REV.
				DIST			A	SS404022	A	

VIEW FROM OUTSIDE OF MOTOR AT SWITCH END.



	ROTATION FACING LEAD END	L1	L2	JOIN	INSULATE SEPARATELY
HIGH VOLT	C.C.W.	P1	T4 T5	T2, T3 T8	P2
	C.W.	P1	T4 T8	T2, T3 T5	P2
LOW VOLT	C.C.W.	P1	T2, T4 T5	P2, T3 T8	--
	C.W.	P1	T2, T4 T8	P2, T3 T5	--

		TOLERANCES UNLESS SPECIFIED		 ELECTRIC MOTORS GEARMOTORS AND DRIVES		DRAWN PG 3/4/02	
		DEC.	INCHES			CHK	
		.X	±.1			APPD	
		.XX	±.01			SCALE 1=1	
		.XXX	±.005			REF 005109-01	
		.XXXX	±.0005	MAT'L. DECAL - 004011		FMF 102675	
NO.	REVISION	BY & DATE	CHK	ANG	±1/2'	FINISH	PREV
THIS DRAWING IN DESIGN AND DETAIL IS OUR PROPERTY AND MUST NOT BE USED EXCEPT IN CONNECTION WITH OUR WORK ALL RIGHTS OF DESIGN AND INVENTION ARE RESERVED THIS IS AN ELECTRONICALLY GENERATED DOCUMENT - DO NOT SCALE THIS PRINT			RFP	CAD FILE 00510915		SIZE	DRAWING NO.
			DIST			A	005109-15
							REV.



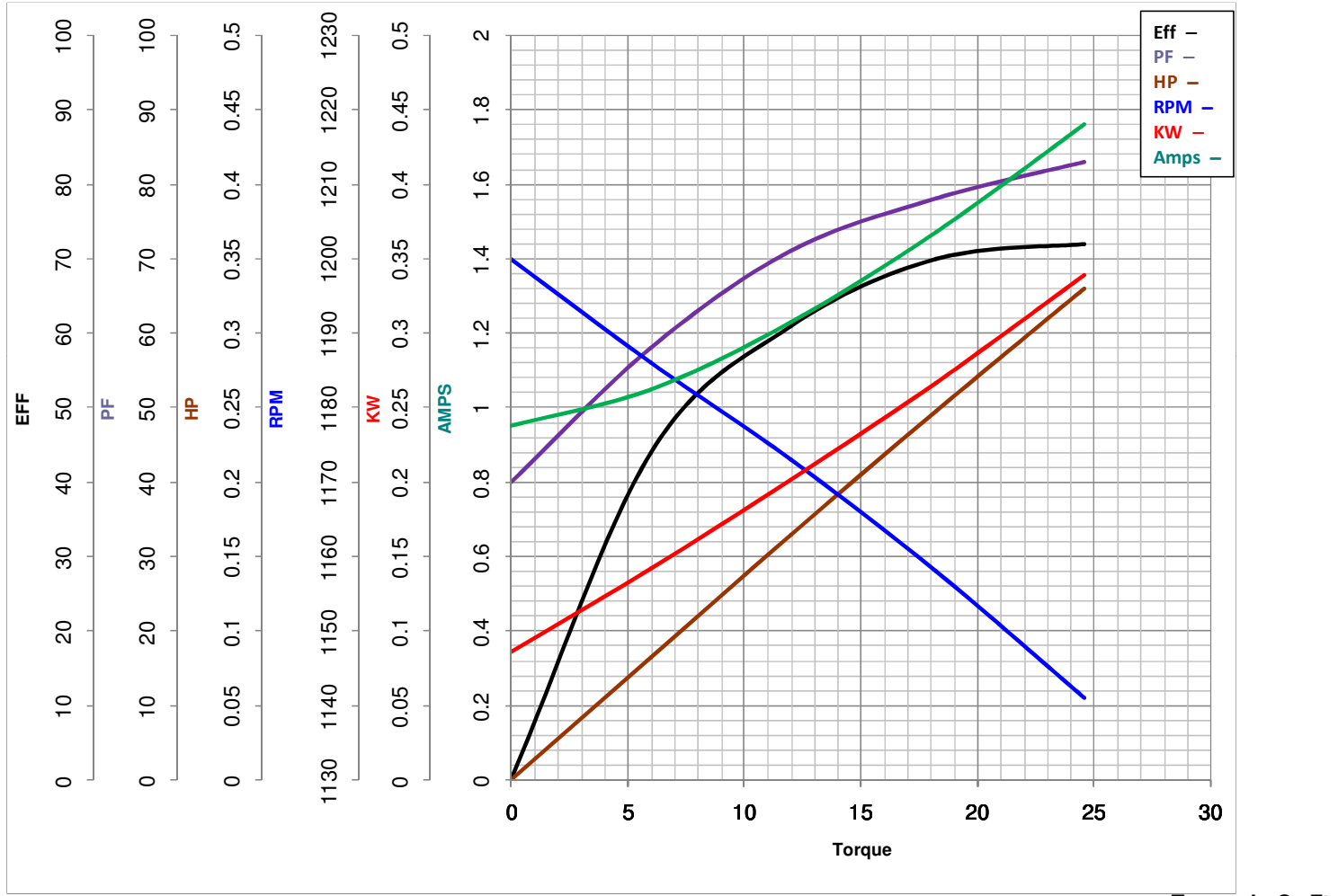
LEESON ELECTRIC CORPORATION
 TYPICAL PERFORMANCE CURVE for AC MOTOR

Model No A099261.00

Curve at 230 Volts HP 0.34 PHASE 1
60 HZ
0.33 HP VOLTS 115/230

Catalog No A099261.00

HZ 60 RPM 1075



FL TORQUE	<u>24.6</u>	Oz.Ft	FL AMPS	<u>3.5/1.75</u>	
BD TORQUE	<u>49.0</u>	Oz.Ft	PU TORQUE	<u>10.2</u>	Oz.Ft
LR TORQUE	<u>10.5</u>	Oz.Ft	LR AMPS	<u>6.63</u>	
WINDING	PE4861791-3		Date	<u>3/21/2018</u>	