

PRODUCT INFORMATION PACKET



Model No: A4P11NH1H

Catalog No: 100604.00

..1/3HP..1140RPM.S56Z.TENV.115/208-230V.1PH.60HZ.AIROVER.40C.1.0SF.RIGID.A4P11NH1H.....AG -
FAN & BLOWER.AUTOMATIC.....

Agricultural



Regal and Leeson are trademarks of Regal Beloit Corporation or one of its affiliated companies.

©2018 Regal Beloit Corporation, All Rights Reserved. MC017097E



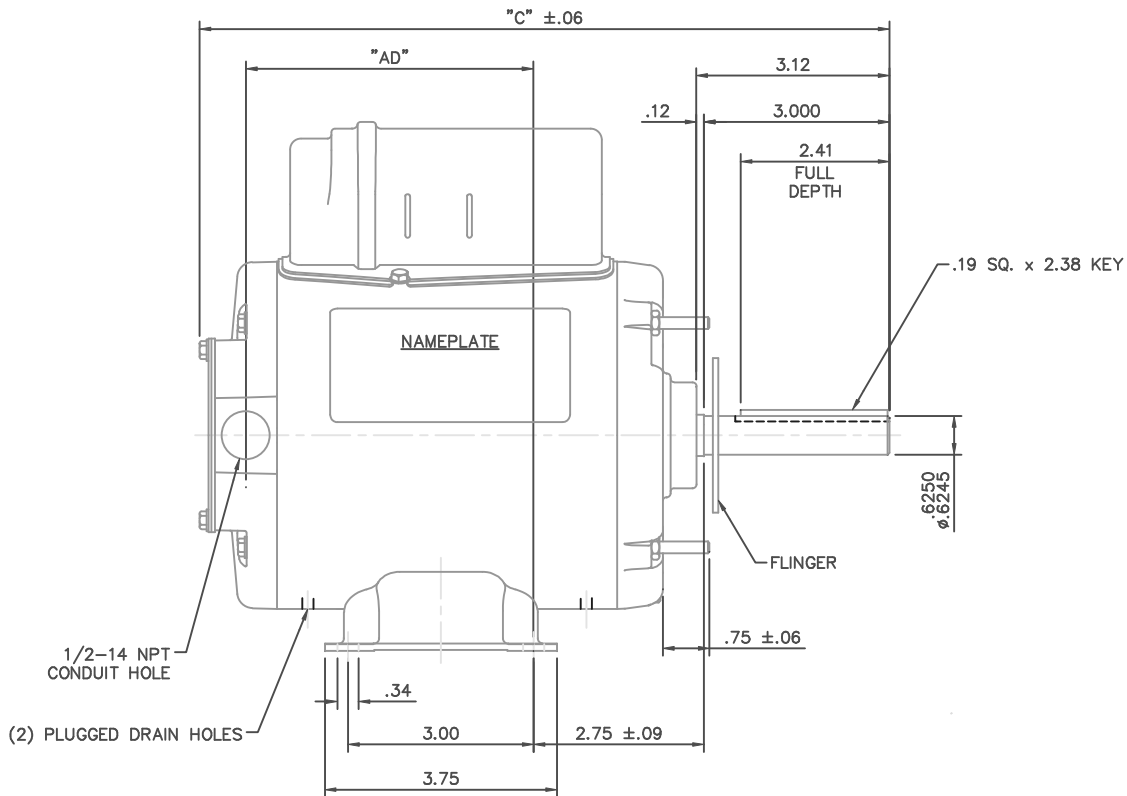


Nameplate Specifications

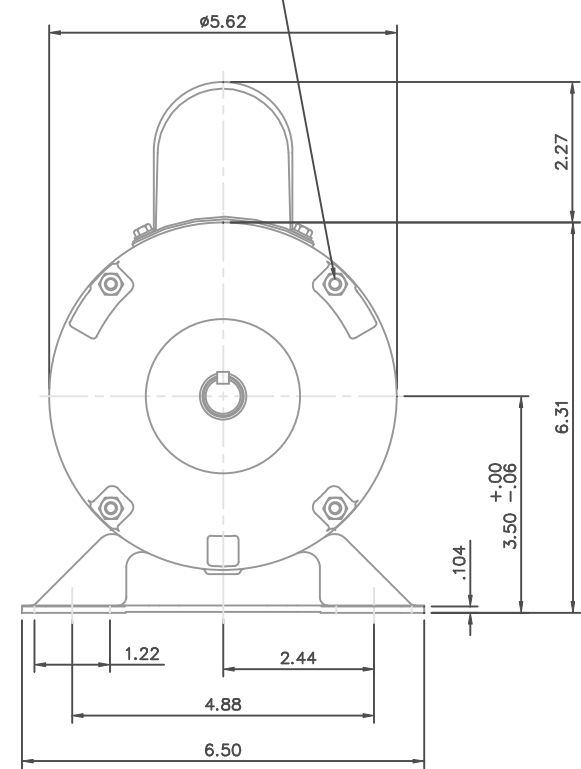
Output HP	0.33 Hp	Output KW	0.25 kW
Frequency	60 Hz	Voltage	115/208-230 V
Current	3.6/1.9-1.8 A	Speed	1140 rpm
Service Factor	1	Phase	1
Efficiency	70 %	Duty	Continuous
Insulation Class	B	Design Code	N
KVA Code	D	Frame	S56Z
Enclosure	Totally Enclosed Air Over	Overload Protector	Automatic
Ambient Temperature	40 °C	Drive End Bearing Size	6203
Opp Drive End Bearing Size	6203	UL	Recognized
CSA	Y	CE	N
IP Code	43		

Technical Specifications

Electrical Type	Permanent Split Capacitor	Starting Method	Across The Line
Poles	6	Rotation	Selective Counterclockwise
Mounting	Rigid base	Motor Orientation	HORIZONTAL
Drive End Bearing	BALL	Opp Drive End Bearing	BALL
Frame Material	Rolled Steel	Shaft Type	Single Special Extension
Overall Length	11.40 in	Frame Length	5.75 in
Shaft Diameter	0.625 in	Shaft Extension	3.12 in
Assembly/Box Mounting	F1 ONLY		
Outline Drawing	031711-575	Connection Diagram	005109.15



10-32 UNF 2A THRU BOLTS
(4) REQ'D. ON A Ø5.125 B.C.

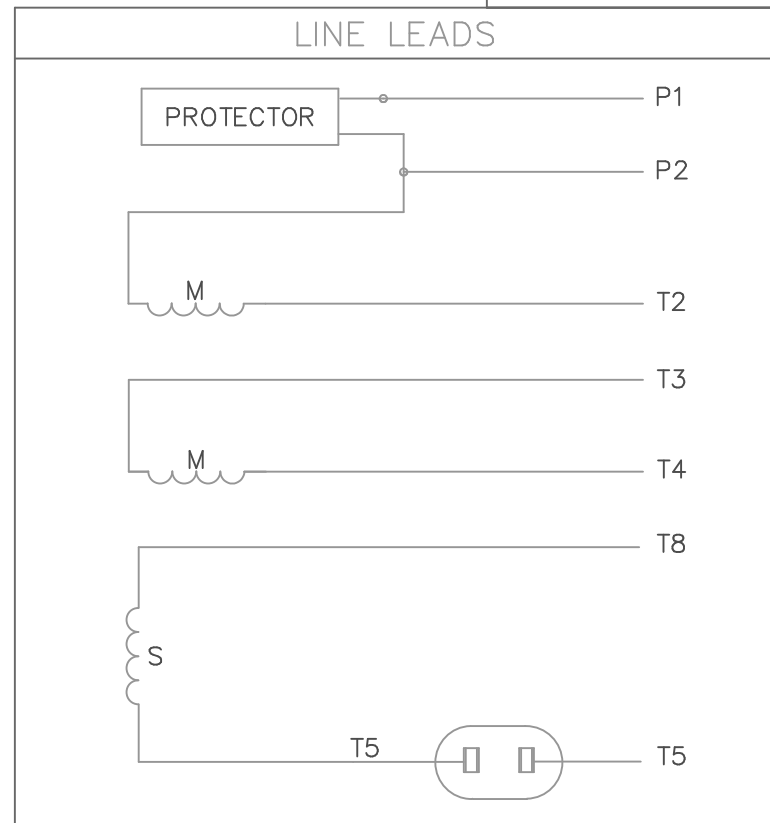
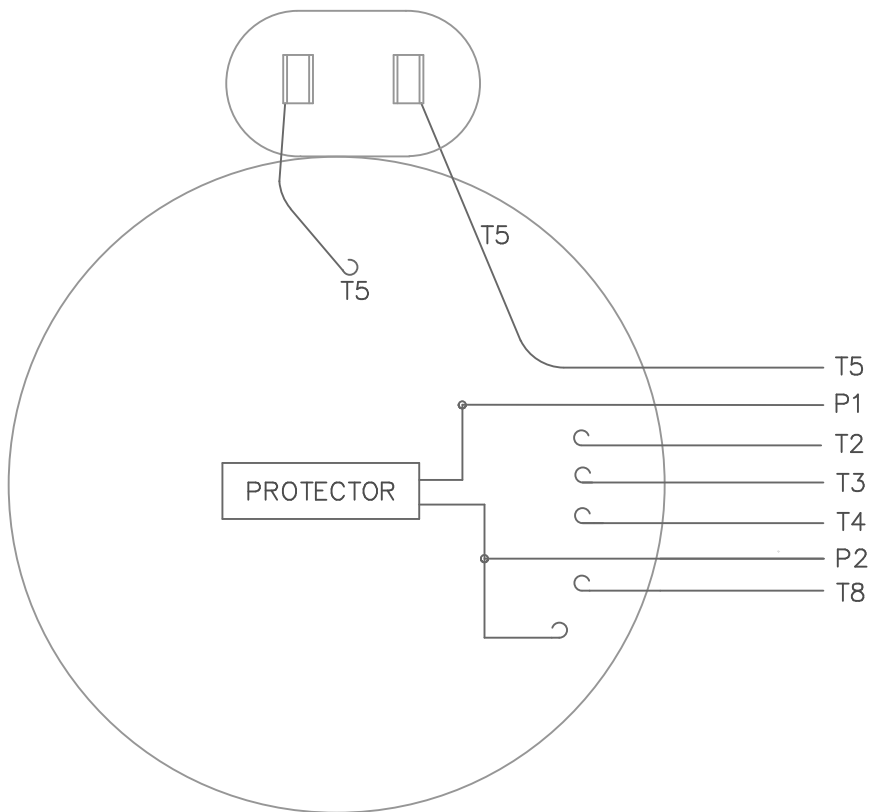


DASH NO.	"C"	"AD"
550	11.15	4.65
575	11.40	4.90
600	11.65	5.15
625	11.90	5.40
650	12.15	5.65
675	12.40	5.90
700	12.65	6.15


GASKETS THROUGHOUT

		TOLERANCES UNLESS SPECIFIED		ELECTRIC MOTORS GEARMOTORS AND DRIVES	DRAWN PG 8/8/02			
		DEC.	INCHES		CHK			
		.X	±.1		APPD			
		.XX	±.03		SCALE 1=2			
		.XXX	±.005		REF 030422			
		.XXXX	±.0005	MAT'L	FMF 100804.00			
NO.	REVISION	BY & DATE	CHK ANG ±1/2"	FINISH	PREV			
THIS DRAWING IN DESIGN AND DETAIL IS OUR PROPERTY AND MUST NOT BE USED EXCEPT IN CONNECTION WITH OUR WORK ALL RIGHTS OF DESIGN AND INVENTION ARE RESERVED THIS IS AN ELECTRONICALLY GENERATED DOCUMENT - DO NOT SCALE THIS PRINT				RFP	CAD FILE 031711	SIZE B	DRAWING NO. 031711	REV.
				DIST				

VIEW FROM OUTSIDE OF MOTOR AT SWITCH END.



	ROTATION FACING LEAD END	L1	L2	JOIN	INSULATE SEPARATELY
HIGH VOLT	C.C.W.	P1	T4 T5	T2, T3 T8	P2
	C.W.	P1	T4 T8	T2, T3 T5	P2
LOW VOLT	C.C.W.	P1	T2, T4 T5	P2, T3 T8	--
	C.W.	P1	T2, T4 T8	P2, T3 T5	--

		TOLERANCES UNLESS SPECIFIED		 ELECTRIC MOTORS GEARMOTORS AND DRIVES		DRAWN PG 3/4/02		
		DEC.	INCHES			CHK		
		.X	±.1			APPD		
		.XX	±.01			SCALE 1=1		
		.XXX	±.005			REF 005109-01		
		.XXXX	±.0005	MAT'L. DECAL - 004011		FMF 102675		
NO.	REVISION	BY & DATE	CHK	ANG	±1/2'	FINISH	PREV	
THIS DRAWING IN DESIGN AND DETAIL IS OUR PROPERTY AND MUST NOT BE USED EXCEPT IN CONNECTION WITH OUR WORK ALL RIGHTS OF DESIGN AND INVENTION ARE RESERVED THIS IS AN ELECTRONICALLY GENERATED DOCUMENT - DO NOT SCALE THIS PRINT			RFP	CAD FILE 00510915		SIZE A	DRAWING NO. 005109-15	REV.
			DIST					



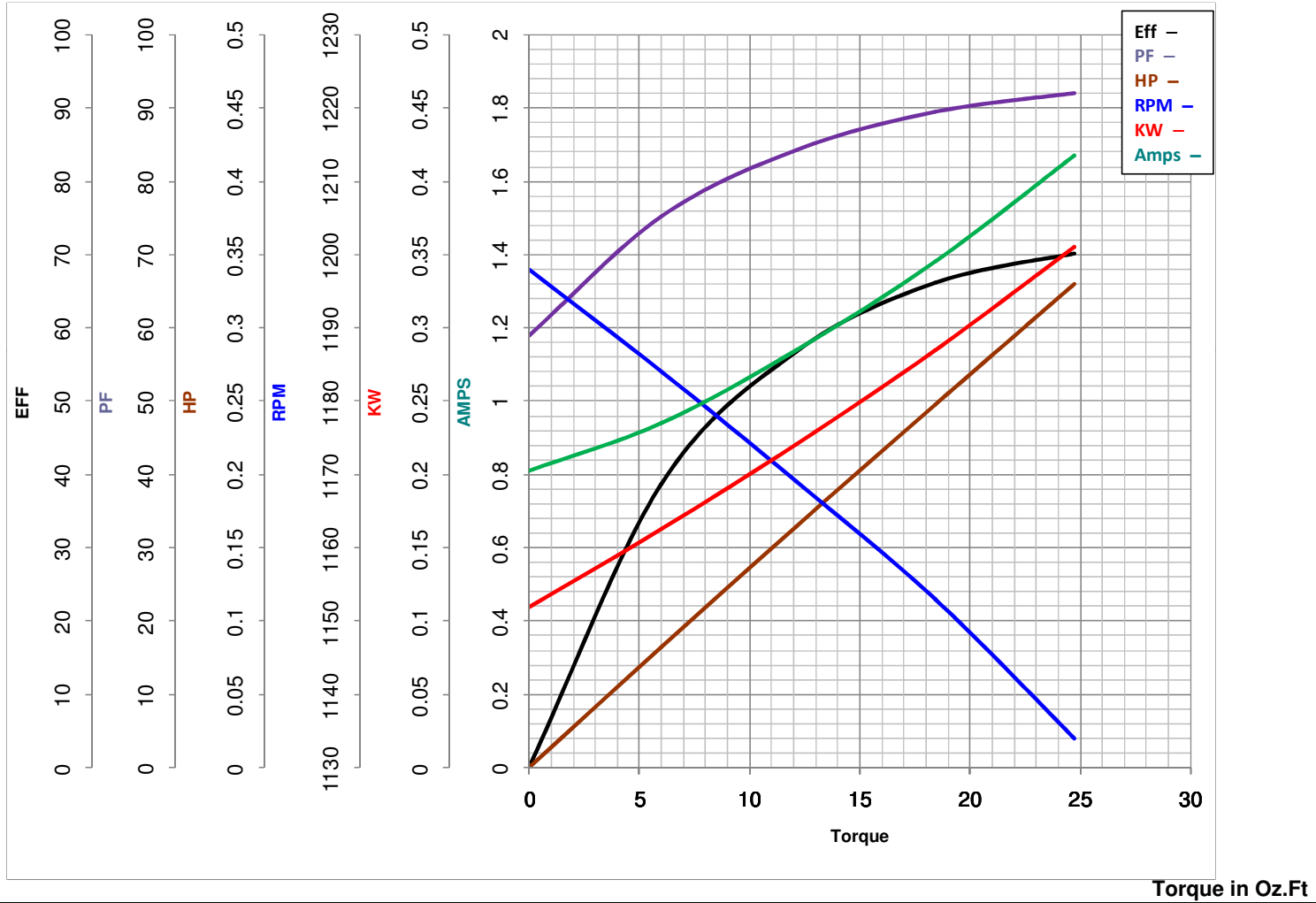
LEESON ELECTRIC CORPORATION
TYPICAL PERFORMANCE CURVE for AC MOTOR

Model No 100604.00

Catalog No 100604.00

Curve at 230 Volts HP 0.34 PHASE 1
60 HZ
0.33 HP VOLTS 115/208-230

HZ 60 RPM 1140



FL TORQUE	<u>24.73</u> Oz.Ft	FL AMPS	<u>3.6/1.9-1.8</u>
BD TORQUE	<u>48.0</u> Oz.Ft	PU TORQUE	<u>12.5</u> Oz.Ft
LR TORQUE	<u>13.5</u> Oz.Ft	LR AMPS	<u>6</u>
WINDING	PE4862007-3	Date	3/13/2018