

# PRODUCT INFORMATION PACKET



Model No: A4P17NZ142A

Catalog No: A099901.00

1/2HP..1800RPM.48Y.TEAO.115/230V.1PH.60HZ.CONT.40C.1.0SF.RIGID BASE.....AG-FAN.....

Agricultural



Regal and Leeson are trademarks of Regal Beloit Corporation or one of its affiliated companies.

©2018 Regal Beloit Corporation, All Rights Reserved. MC017097E





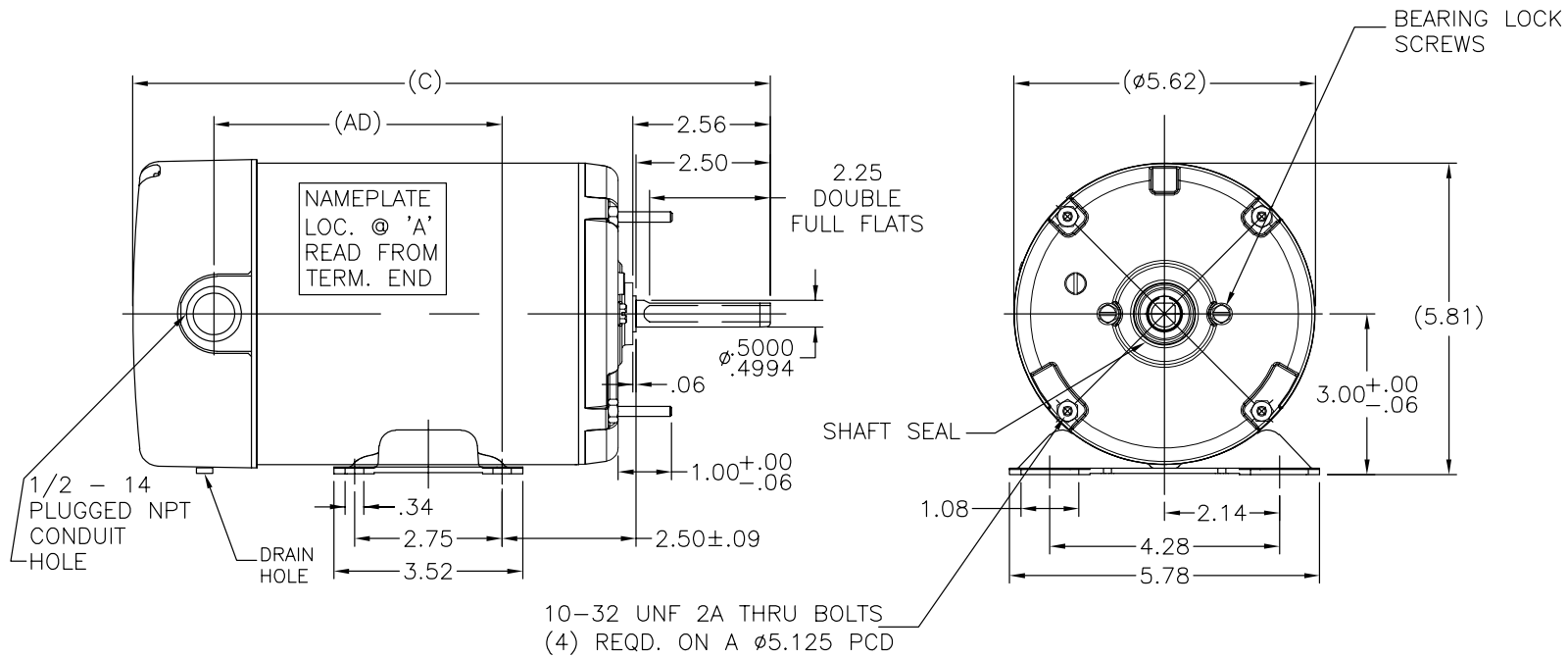
### Nameplate Specifications

Output HP	<b>0.50 Hp</b>	Output KW	<b>0.37 kW</b>
Frequency	<b>60 Hz</b>	Voltage	<b>115/230 V</b>
Current	<b>5.2/2.6 A</b>	Speed	<b>1625 rpm</b>
Service Factor	<b>1</b>	Phase	<b>1</b>
Efficiency	<b>72 %</b>	Duty	<b>Continuous</b>
Insulation Class	<b>F</b>	Design Code	<b>N</b>
KVA Code	<b>B</b>	Frame	<b>48Z</b>
Enclosure	<b>Totally Enclosed Air Over</b>	Overload Protector	<b>Automatic Lock Rotor Only</b>
Ambient Temperature	<b>40 °C</b>	Drive End Bearing Size	<b>6203</b>
Opp Drive End Bearing Size	<b>6203</b>	UL	<b>Recognized</b>
CSA	<b>Y</b>	CE	<b>N</b>
IP Code	<b>43</b>		

### Technical Specifications

Electrical Type	<b>Permanent Split Capacitor</b>	Starting Method	<b>Across The Line</b>
Poles	<b>4</b>	Rotation	<b>Selective Counterclockwise</b>
Mounting	<b>Rigid - Extended Studs</b>	Motor Orientation	<b>HORIZONTAL</b>
Drive End Bearing	<b>BALL</b>	Opp Drive End Bearing	<b>BALL</b>
Frame Material	<b>Rolled Steel</b>	Shaft Type	<b>Single Special Extension</b>
Overall Length	<b>10.89 in</b>	Frame Length	<b>5.50 in</b>
Shaft Diameter	<b>0.500 in</b>	Shaft Extension	<b>2.24 in</b>
Assembly/Box Mounting	<b>F1 ONLY</b>		
Outline Drawing	<b>A-SS404060-550</b>	Connection Diagram	<b>A-005109-15</b>

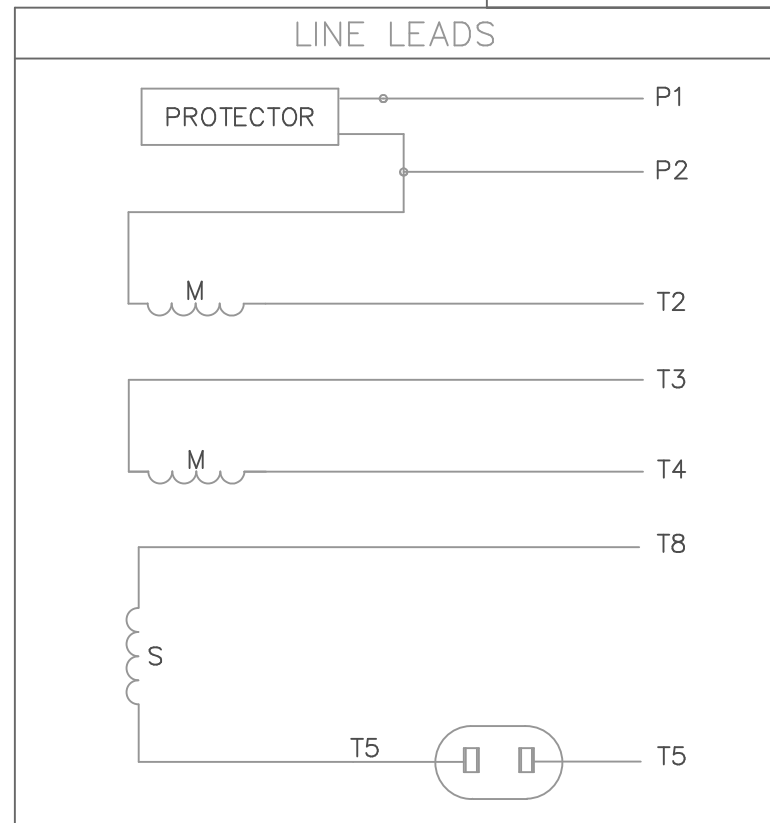
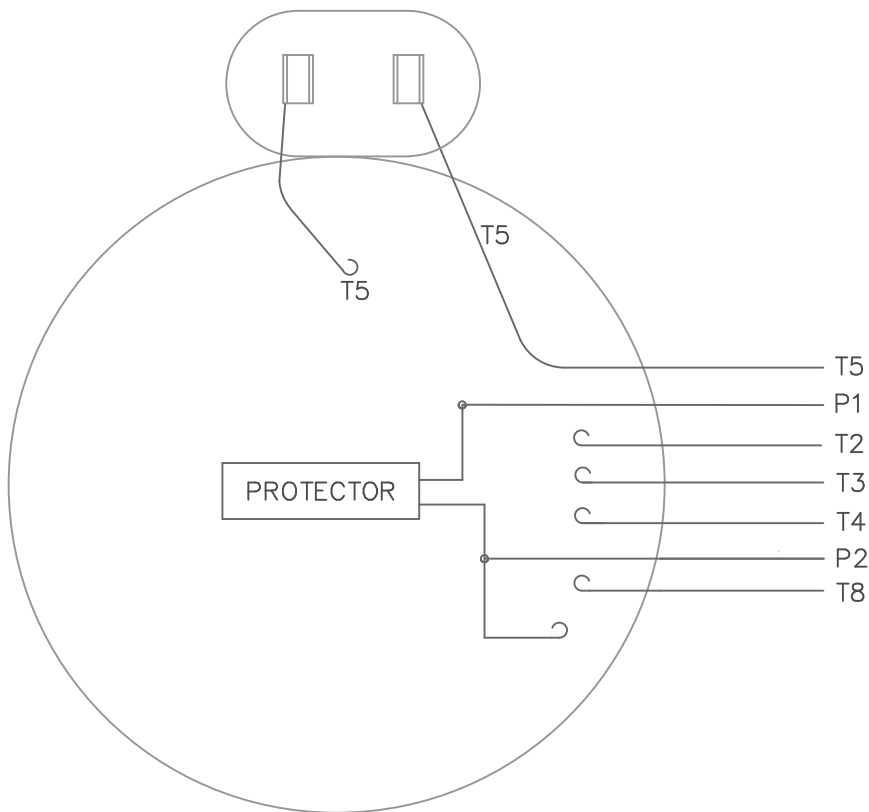
SS404060




DASH NO.	"C"	"AD"
475	10.64	4.12
500	10.89	4.37
525	11.14	4.62
550	11.39	4.87
600	11.89	5.37

		TOLERANCES UNLESS SPECIFIED		LEESON	ELECTRIC MOTORS GEARMOTORS AND DRIVES	DRAWN					
		DEC.	INCHES			KR	02/05/2014				
		.X	±.1			CHK	VS	02/05/2014			
		.XX	±.03			APPD					
		.XXX	±.005		TITLE	SCALE	1:1				
					OUTLINE - PSC - TENV ENCLOSURE	REF	OLPR132173				
A	UPDATED NAMEPLATE LOCATION PER ECO-0062305	PST	12/5/14	PI	.XXXX	±.0005	MAT'L.	FMF	A099899.00		
NO.	REVISION	BY & DATE	CHK	ANG	±7'30"	FINISH	PREV				
THIS DRAWING IN DESIGN AND DETAIL IS OUR PROPERTY AND MUST NOT BE USED EXCEPT IN CONNECTION WITH OUR WORK ALL RIGHTS OF DESIGN AND INVENTION ARE RESERVED THIS IS AN ELECTRONICALLY GENERATED DOCUMENT - DO NOT SCALE THIS PRINT				RFP	CAD FILE	SS404060	SIZE	DRAWING NO.	PAGE	OF	REV.
				DIST	WP		A	SS404060			A

VIEW FROM OUTSIDE OF MOTOR AT SWITCH END.



	ROTATION FACING LEAD END	L1	L2	JOIN	INSULATE SEPARATELY
HIGH VOLT	C.C.W.	P1	T4 T5	T2, T3 T8	P2
	C.W.	P1	T4 T8	T2, T3 T5	P2
LOW VOLT	C.C.W.	P1	T2, T4 T5	P2, T3 T8	--
	C.W.	P1	T2, T4 T8	P2, T3 T5	--

		TOLERANCES UNLESS SPECIFIED		 ELECTRIC MOTORS GEARMOTORS AND DRIVES		DRAWN PG 3/4/02		
		DEC.	INCHES			CHK		
		.X	±.1			APPD		
		.XX	±.01			SCALE 1=1		
		.XXX	±.005			REF 005109-01		
		.XXXX	±.0005	MAT'L. DECAL - 004011		FMF 102675		
NO.	REVISION	BY & DATE	CHK	ANG	±1/2'	FINISH	PREV	
THIS DRAWING IN DESIGN AND DETAIL IS OUR PROPERTY AND MUST NOT BE USED EXCEPT IN CONNECTION WITH OUR WORK ALL RIGHTS OF DESIGN AND INVENTION ARE RESERVED THIS IS AN ELECTRONICALLY GENERATED DOCUMENT - DO NOT SCALE THIS PRINT			RFP	CAD FILE 00510915		SIZE	DRAWING NO.	REV.
			DIST			A	005109-15	



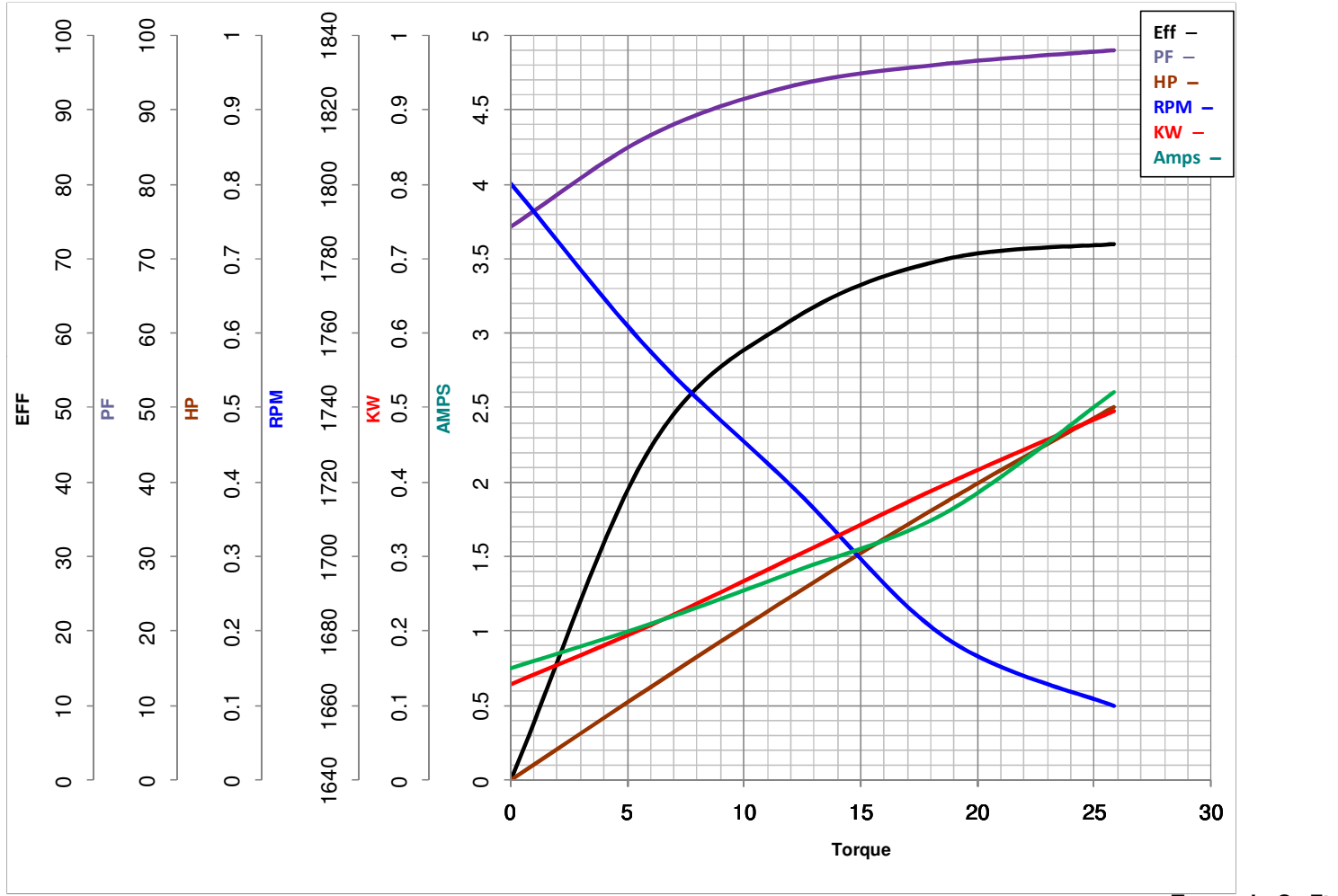
**LEESON ELECTRIC CORPORATION**  
TYPICAL PERFORMANCE CURVE for AC MOTOR

Model No A099901.00

Curve at 230 Volts      HP 0.50      PHASE 1  
60 HZ  
0.5 HP      VOLTS 115/230

Catalog No A099901.00

HZ 60      RPM 1625



<b>FL TORQUE</b>	<u>25.86</u> Oz.Ft	<b>FL AMPS</b>	<u>5.2/2.6</u>
<b>BD TORQUE</b>	<u>46.1</u> Oz.Ft	<b>PU TORQUE</b>	<u>16.4</u> Oz.Ft
<b>LR TORQUE</b>	<u>16.2</u> Oz.Ft	<b>LR AMPS</b>	<u>7.5</u>
<b>WINDING</b>	PE484278-3	<b>Date</b>	4/12/2018