

# PRODUCT INFORMATION PACKET



Model No: A4P17NZ24F

Catalog No: 101341.00

1/4HP..1625RPM.48.TENV.115/230V.1PH.60HZ.AIROVER.AUTOMATIC.40C.1.0SF.ROUND-EXTENDED  
STUDS.AG - HATCHERY.A4P17NZ24F

Hatchery



Regal and Leeson are trademarks of Regal Beloit Corporation or one of its affiliated companies.

©2018 Regal Beloit Corporation, All Rights Reserved. MC017097E



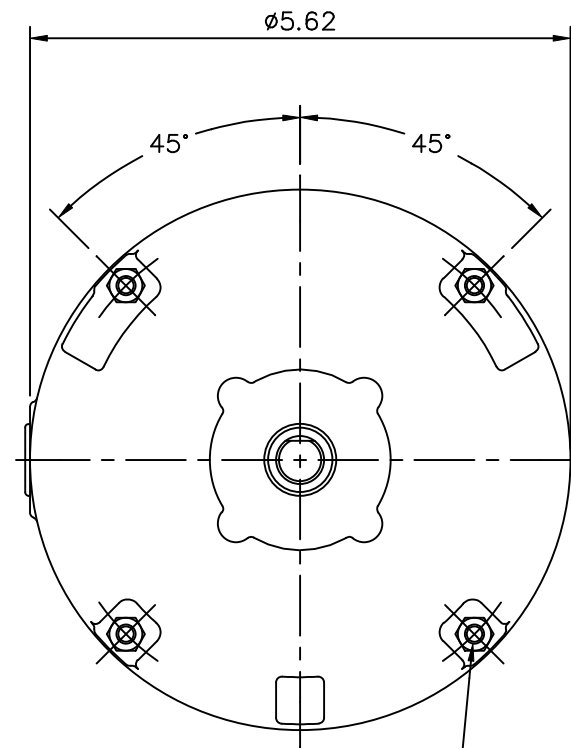
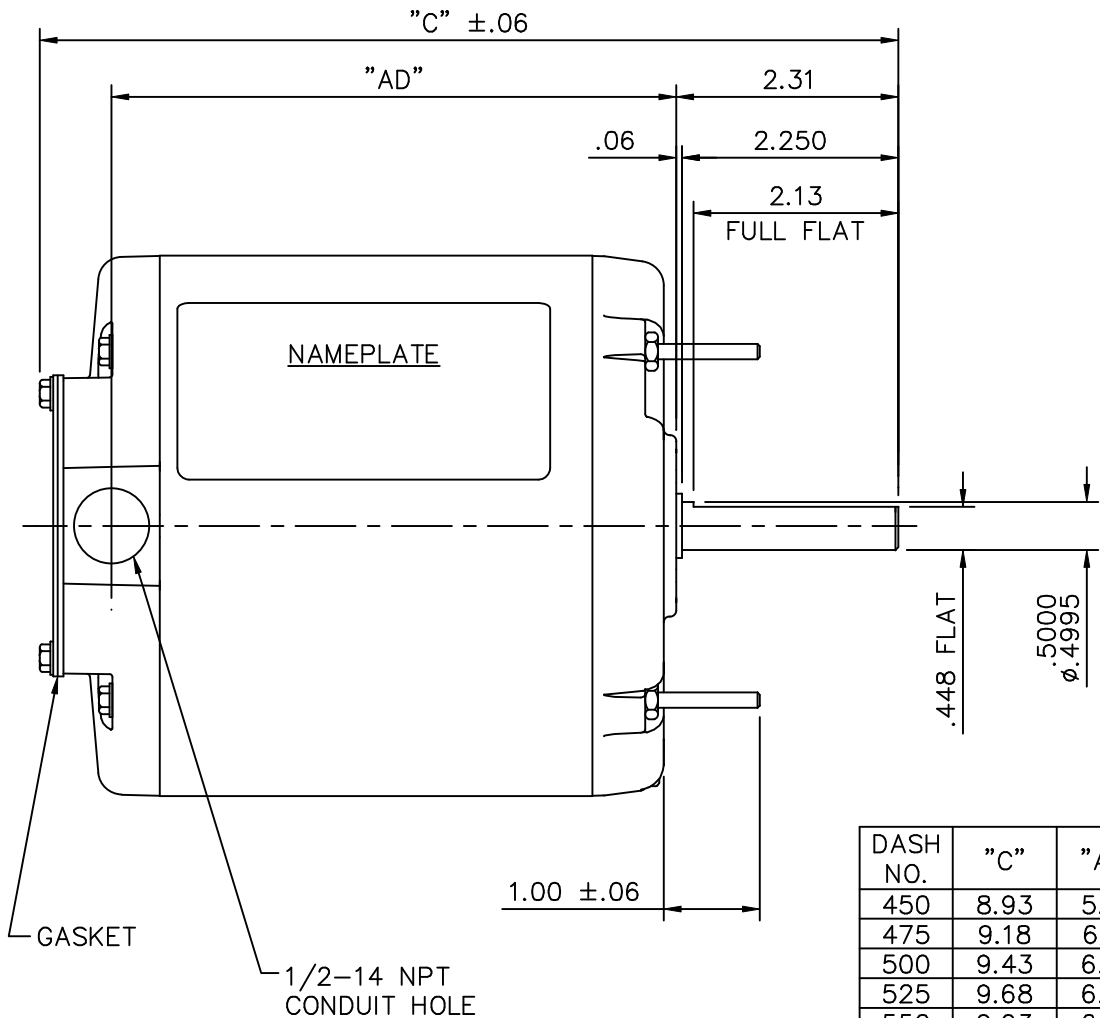


### Nameplate Specifications

Output HP	<b>0.25 Hp</b>	Output KW	<b>0.19 kW</b>
Frequency	<b>60 Hz</b>	Voltage	<b>115/230 V</b>
Current	<b>2.8/1.4 A</b>	Speed	<b>1625 rpm</b>
Service Factor	<b>1</b>	Phase	<b>1</b>
Efficiency	<b>70 %</b>	Duty	<b>Continuous</b>
Insulation Class	<b>B</b>	Design Code	<b>NO DESIGN CODE</b>
KVA Code	<b>D</b>	Frame	<b>48Y</b>
Enclosure	<b>Totally Enclosed Air Over</b>	Overload Protector	<b>Automatic</b>
Ambient Temperature	<b>40 °C</b>	Drive End Bearing Size	<b>6203</b>
Opp Drive End Bearing Size	<b>6203</b>	UL	<b>Recognized</b>
CSA	<b>Y</b>	CE	<b>N</b>
IP Code	<b>43</b>		


### Technical Specifications

Electrical Type	<b>Permanent Split Capacitor</b>	Starting Method	<b>Across The Line</b>
Poles	<b>4</b>	Rotation	<b>Selective Counterclockwise</b>
Mounting	<b>Round</b>	Motor Orientation	<b>HORIZONTAL</b>
Drive End Bearing	<b>BALL</b>	Opp Drive End Bearing	<b>BALL</b>
Frame Material	<b>Rolled Steel</b>	Shaft Type	<b>NEMA 48</b>
Overall Length	<b>8.93 in</b>	Frame Length	<b>4.50 in</b>
Shaft Diameter	<b>0.500 in</b>	Shaft Extension	<b>2.13 in</b>
Assembly/Box Mounting	<b>F1 ONLY</b>		
Outline Drawing	<b>031708-450</b>	Connection Diagram	<b>005109.16</b>

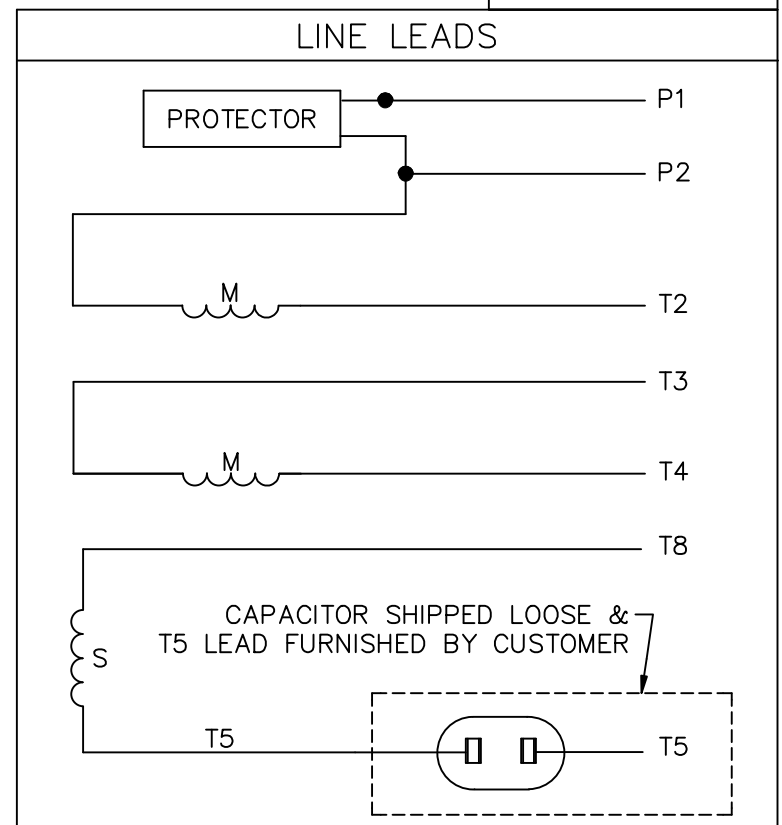
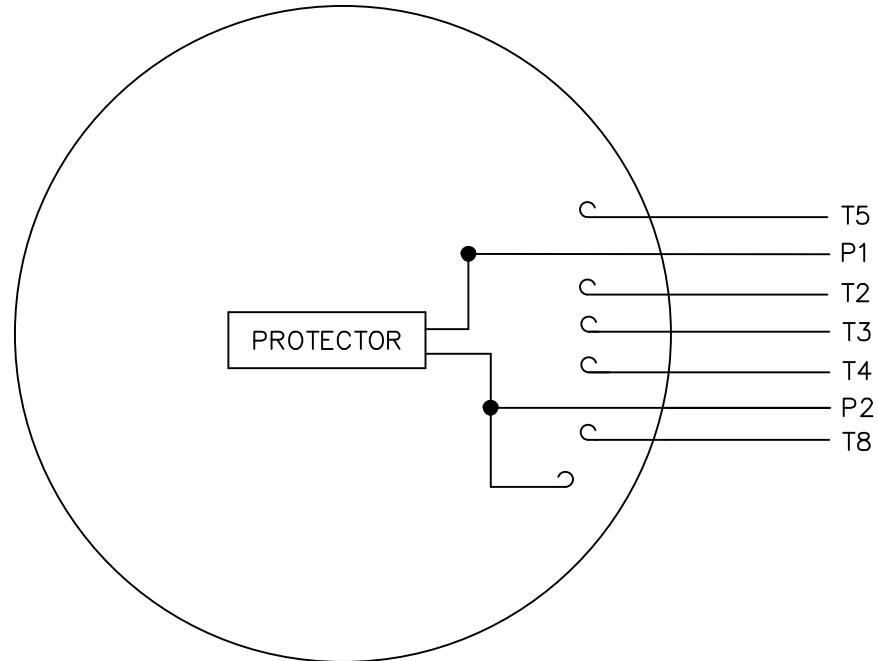


10-32 UNF 2A THRU BOLTS  
(4) REQ'D. ON A Ø5.125 B.C.


DASH NO.	"C"	"AD"
450	8.93	5.87
475	9.18	6.12
500	9.43	6.37
525	9.68	6.62
550	9.93	6.87
575	10.18	7.12
600	10.43	7.37
625	10.68	7.62
650	10.93	7.87
675	11.18	8.12

				TOLERANCES UNLESS SPECIFIED		 ELECTRIC MOTORS GEARMOTORS AND DRIVES	DRAWN PG 7/24/02		
				DEC.	INCHES		CHK		
				.X	±.1		APPD		
				.XX	±.03		SCALE 1=2		
				.XXX	±.005		REF 030642		
				.XXXX	±.0005	MAT'L.	FMF 101341.00		
NO.	REVISION	BY & DATE	CHK	ANG	±1/2"	FINISH	PREV		
THIS DRAWING IN DESIGN AND DETAIL IS OUR PROPERTY AND MUST NOT BE USED EXCEPT IN CONNECTION WITH OUR WORK ALL RIGHTS OF DESIGN AND INVENTION ARE RESERVED THIS IS AN ELECTRONICALLY GENERATED DOCUMENT - DO NOT SCALE THIS PRINT				RFP		CAD FILE 031708	SIZE A	DRAWING NO. 031708	REV.
				DIST					

VIEW FROM OUTSIDE OF MOTOR AT SWITCH END.



	ROTATION FACING LEAD END	L1	L2	JOIN	INSULATE SEPARATELY
HIGH VOLT	C.C.W.	P1	T4 T5	T2,T3 T8	P2
	C.W.	P1	T4 T8	T2,T3 T5	P2
LOW VOLT	C.C.W.	P1	T2,T4 T5	P2,T3 T8	--
	C.W.	P1	T2,T4 T8	P2,T3 T5	--

		TOLERANCES UNLESS SPECIFIED		 ELECTRIC MOTORS GEARMOTORS AND DRIVES		DRAWN PG 7/25/02	
		DEC.	INCHES			CHK	
		.X	±.1	TITLE		SCALE 1=1	
02 DECAL WAS 080439 ISAAC 10-3389		GWS 8/4/10	.XXX ±.005	EXTERNAL WIRING DIAGRAM TYPE "P" W/PROTECTOR		REF 005109-06	
01 UPDATED CAPACITOR NOTE PER CN #03-96		KMM 3/21/03	PG .XXXX ±.0005	MAT'L. DECAL - 92381		FMF 101341.00	
NO. REVISION		BY & DATE	CHK ANG ±1/2'	FINISH		PREV	
THIS DRAWING IN DESIGN AND DETAIL IS OUR PROPERTY AND MUST NOT BE USED EXCEPT IN CONNECTION WITH OUR WORK ALL RIGHTS OF DESIGN AND INVENTION ARE RESERVED THIS IS AN ELECTRONICALLY GENERATED DOCUMENT - DO NOT SCALE THIS PRINT			RFP	CAD FILE 00510916	SIZE A	DRAWING NO. 005109-16	REV. 02
			DIST				

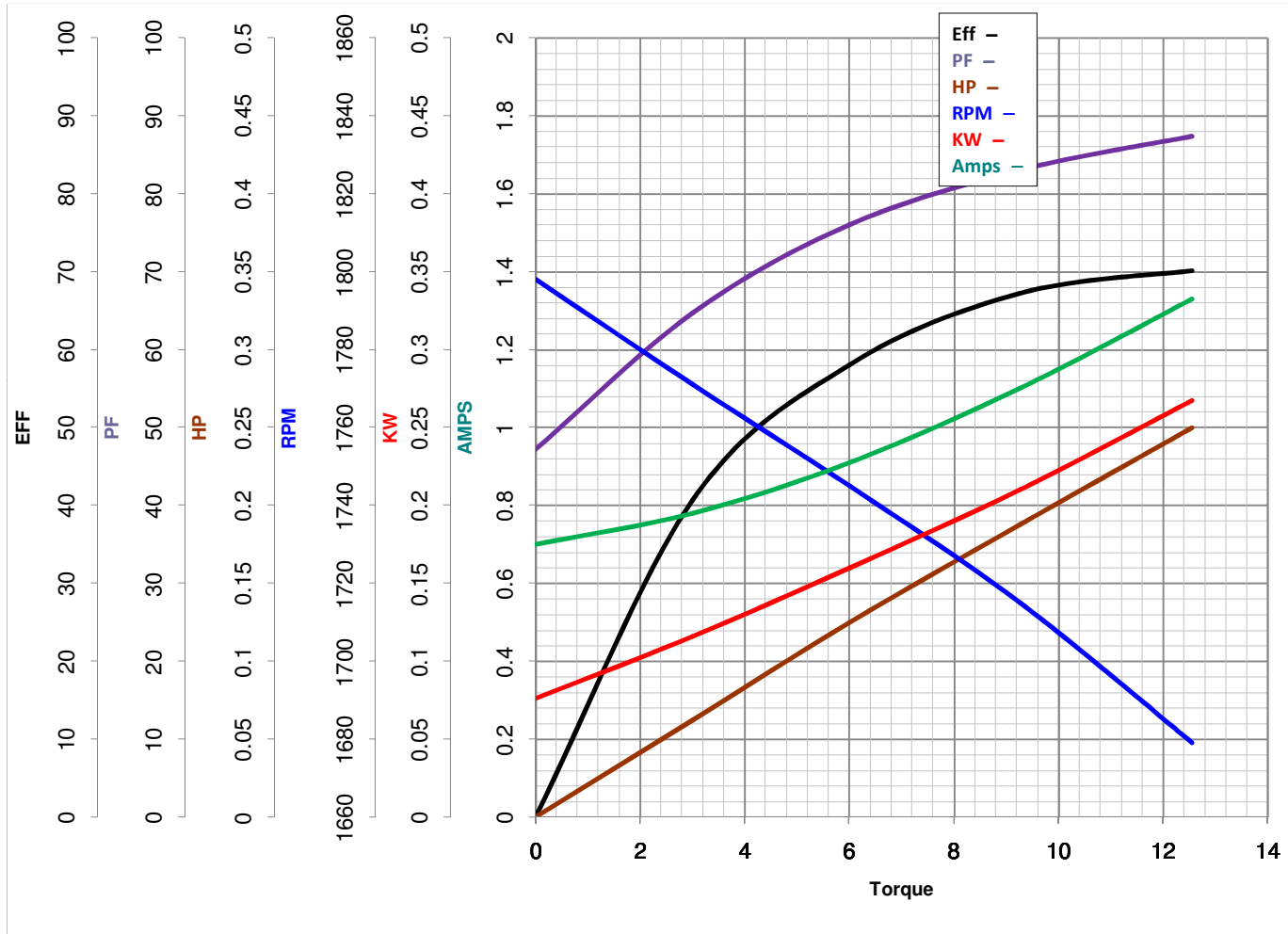


**LEESON ELECTRIC CORPORATION**  
 TYPICAL PERFORMANCE CURVE for AC MOTOR

Model No 101341.00

Catalog No 101341.00

Curve at 230 Volts      HP 0.26      PHASE 1  
60 HZ  
0.25 HP      VOLTS 115/230  
    HZ 60      RPM 1625



Torque in Oz.Ft

FL TORQUE 12.56 Oz.Ft  
 BD TORQUE 27.0 Oz.Ft  
 LR TORQUE 8 Oz.Ft

FL AMPS 2.8/1.4  
 PU TORQUE 7.5 Oz.Ft  
 LR AMPS 5

WINDING PE484448-3

Date 4/11/2018