

# PRODUCT INFORMATION PACKET



Model No: A6C34FK53F

Catalog No: 113957.00

1HP..3450RPM.56.TEFC.115/208-230V.1PH.60HZ.CONT.AUTOMATIC.40C.1.25SF.RIGID C.JET  
PUMP.A6C34FK53F

Jet Pump



Regal and Leeson are trademarks of Regal Beloit Corporation or one of its affiliated companies.

©2018 Regal Beloit Corporation, All Rights Reserved. MC017097E





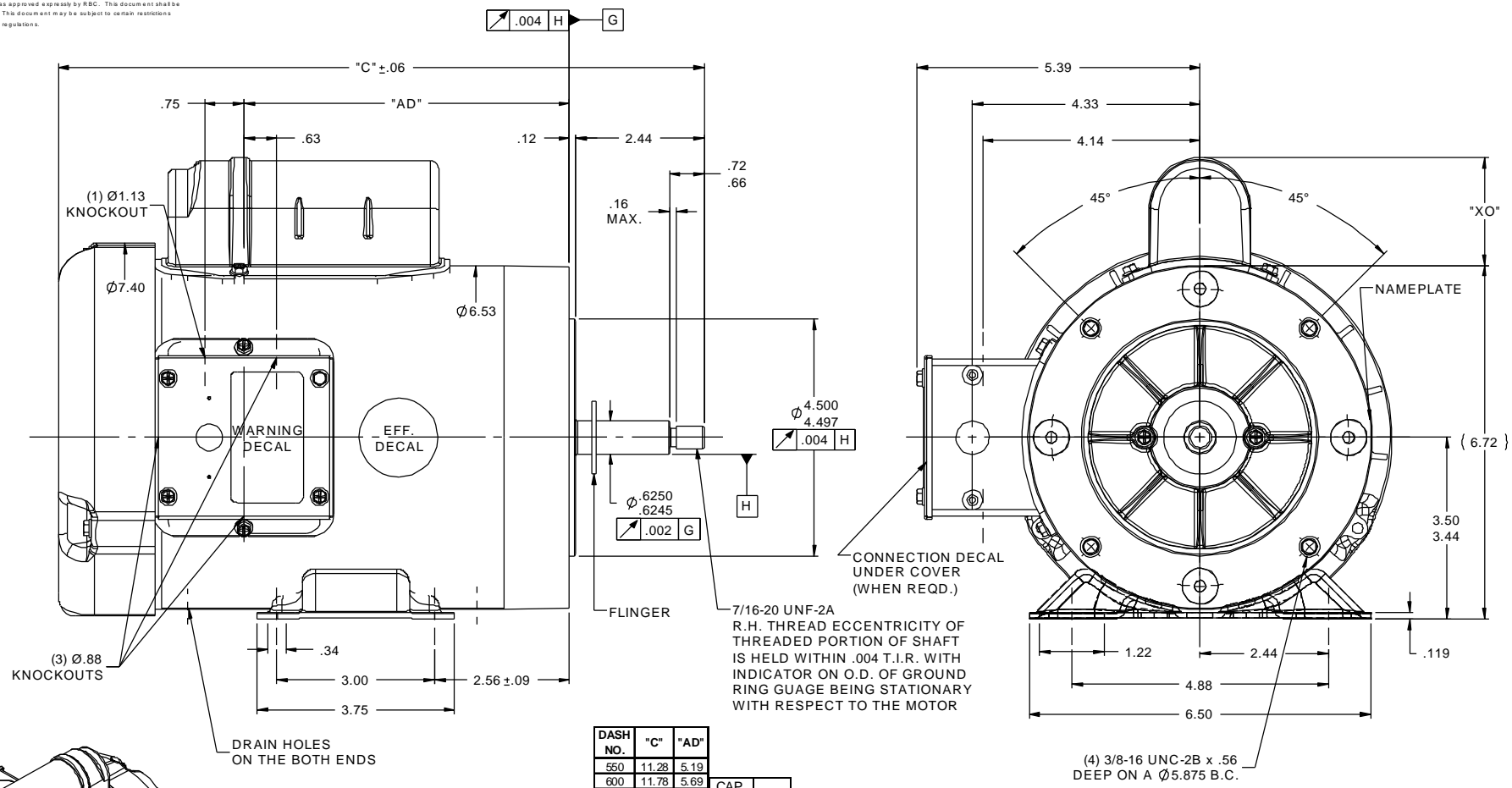
### Nameplate Specifications

Output HP	1 Hp	Output KW	0.75 kW
Frequency	60 Hz	Voltage	115/208-230 V
Current	12.0/6.2-6.0 A	Speed	3450 rpm
Service Factor	1.25	Phase	1
Efficiency	70 %	Duty	Continuous
Insulation Class	B	Design Code	N
KVA Code	J	Frame	56J
Enclosure	Totally Enclosed Fan Cooled	Overload Protector	Automatic
Ambient Temperature	40 °C	Drive End Bearing Size	6203
Opp Drive End Bearing Size	6203	UL	Recognized
CSA	Y	CE	N
IP Code	43		

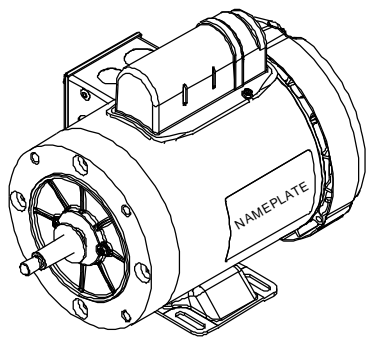
### Technical Specifications

Electrical Type	Capacitor Start Induction Run	Starting Method	Across The Line
Poles	2	Rotation	Fixed Clockwise
Mounting	Rigid base	Motor Orientation	HORIZONTAL
Drive End Bearing	BALL	Opp Drive End Bearing	BALL
Frame Material	Rolled Steel	Shaft Type	J
Overall Length	12.28 in	Frame Length	6.50 in
Shaft Diameter	0.625 in	Shaft Extension	2.44 in
Assembly/Box Mounting	F1 ONLY		
Outline Drawing	028870-650B	Connection Diagram	005330.02

RBC PROPRIETARY AND CONFIDENTIAL INFORMATION  
 This document is the property of REGAL BELOIT CORPORATION (RBC) including its subsidiaries and divisions and contains proprietary information of RBC. This document is loaned on the express condition that neither the information contained therein shall be disclosed to others without the express written consent of RBC, and that the information shall be used by the recipient only as approved expressly by RBC. This document shall be returned to RBC upon its request. This document may be subject to certain restrictions under U.S. export controls and regulations.



DASH NO.	"C"	"AD"	CAP. DASH	"XO"
550	11.28	5.19	A	1.54
600	11.78	5.69	B	2.01
650	12.28	6.19	C	2.25
700	12.78	6.69		
750	13.28	7.19		
800	13.78	7.69		
850	14.28	8.19		

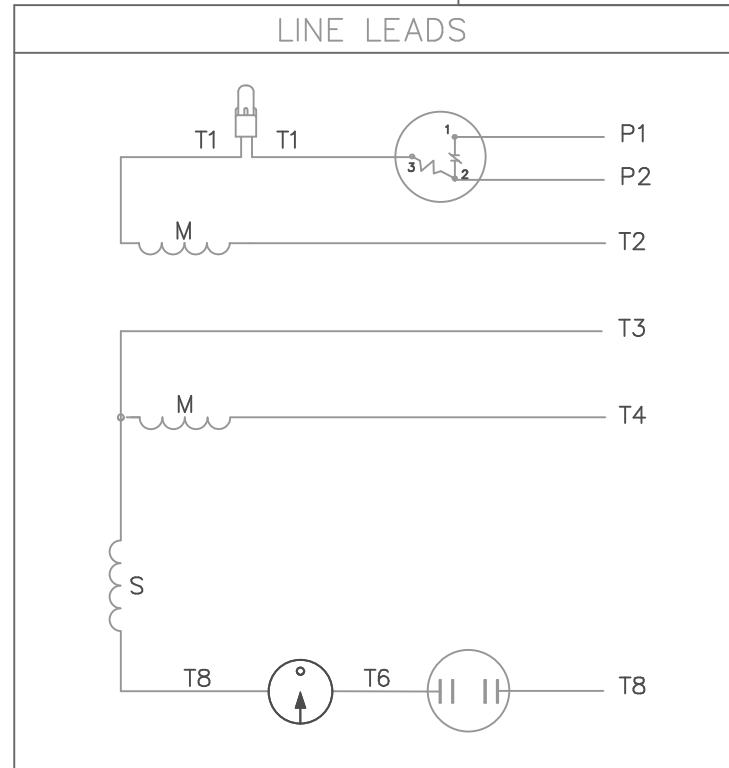
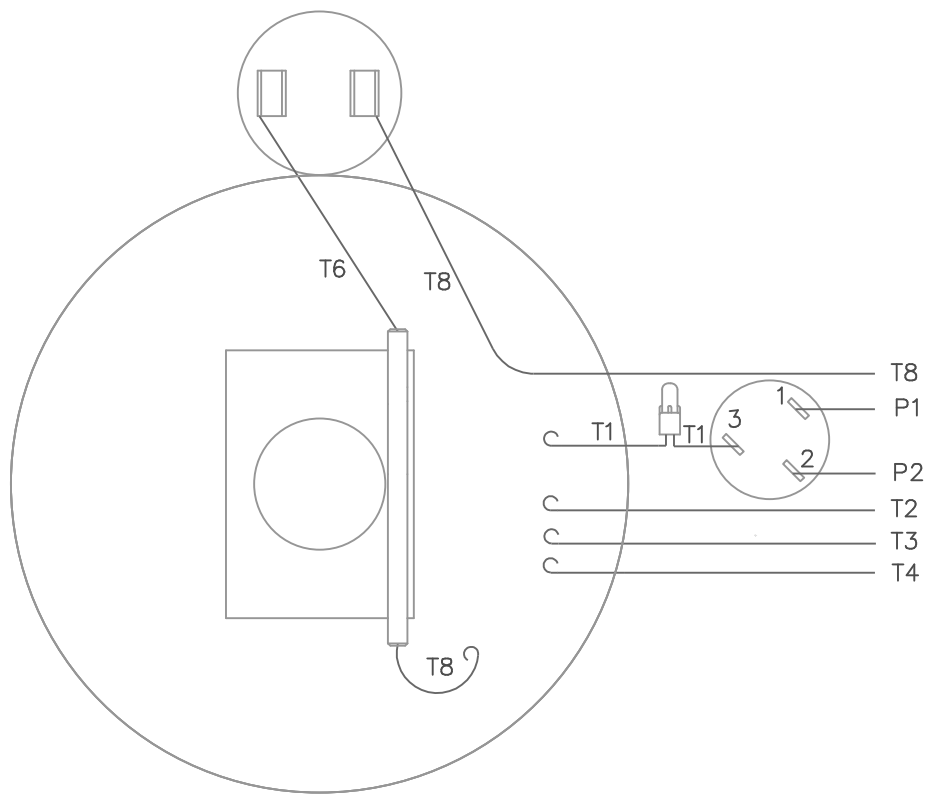


(4) 3/8-16 UNC-2B x .56 DEEP ON A  $\phi 5.875$  B.C.

NOTES:  
GASKETS THROUGHOUT

				TOLERANCES UNLESS SPECIFIED		<b>LEESON</b> ELECTRIC MOTORS GEARMOTORS AND DRIVES		DRAWN GRB 08/19/2008	
				DEC	INCHES			CHK	DJ 08/19/2008
				X	±.1			APPR	
				XX	±.03	TITLE OUTLINE - 56J FRAME		SCALE 1:2	
02 ADDED CONNECTION DECAL NOTE PER MU115132(117989.00)				UD	9/18/2013	GRB	XXX ±.005	TEFC - RIGID "C"	
01 ADDED ITEM #550 (113637.00)				GRB	12/16/2008	DJ	XXXX ±.0005	MAT'L JET PUMP	
				CHK	ANG ±7'30"	FINISH		FMF 113957.00	
NO REVISION				BY & DATE		PREV		PAGE OF	
THIRD ANGLE PROJECTION				RFP 08/19/2008		NETWORK FILE NAME 028870		SIZE <b>B</b>	DRAWING NO <b>028870</b>
								REV	<b>02</b>

VIEW FROM OUTSIDE OF MOTOR AT SWITCH END.



	ROTATION FACING LEAD END	L1	L2	JOIN	INSULATE SEPARATELY
HIGH VOLT	C.W.	P1	T4 T8	T2,T3	P2
LOW VOLT	C.W.	P1	T2,T4 T8	P2,T3	--

				TOLERANCES UNLESS OTHERWISE SPECIFIED		<b>LEESON</b> ELECTRIC CORPORATION						
				DECIMALS								
				.00	± .01	DRAWN EJM 03/04/91	TITLE EXT. WIRING DIAGRAM					
				.000	± .005	CH'K'D. SJB 03/08/91	TYPE "C" W/PROTECTOR					
2	REDRAWN ON CAD	DBT	06/06/97	.0000	± .0005	APPR. RPB 03/08/91	MAT'L. DECAL - 080393					
NO.	REVISION	BY	DATE	FRACTIONS	± 1/64	SCALE 1=1	<b>BRF</b>					
THIS DRAWING IN DESIGN AND DETAIL IS OUR PROPERTY AND MUST NOT BE USED EXCEPT IN CONNECTION WITH OUR WORK ALL RIGHTS OF DESIGN AND INVENTION ARE RESERVED						REF. 005043.01				FINISH	SIZE A	DRAWING NO. 005330-02
						FMF 6C34FK49						



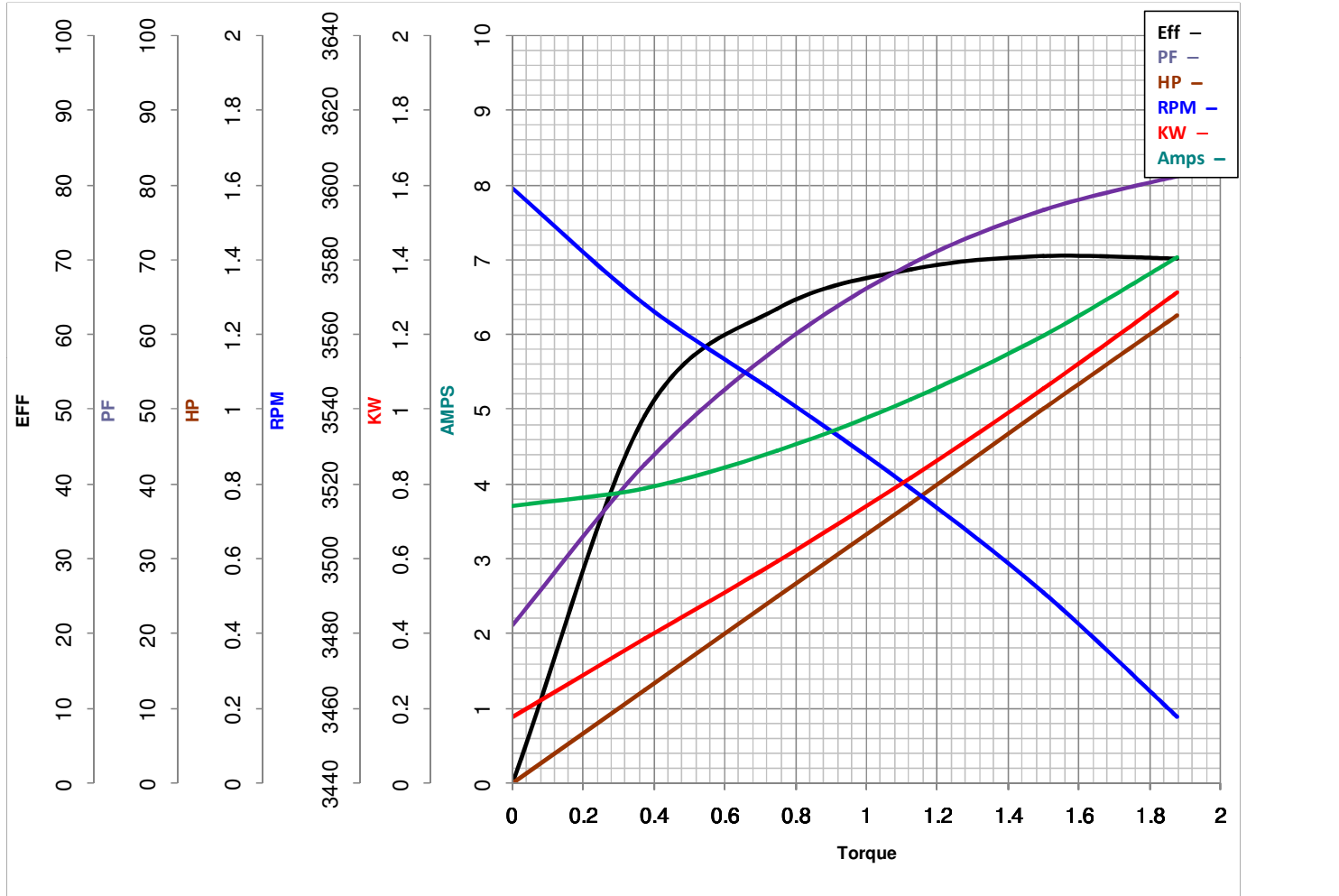
**LEESON ELECTRIC CORPORATION**  
 TYPICAL PERFORMANCE CURVE for AC MOTOR

Model No 113957.00

Curve at 230 Volts HP 1.00 PHASE 1  
60 HZ  
1 HP VOLTS 115/208-230

Catalog No 113957.00

HZ 60 RPM 3450



Torque in Lb.Ft

FL TORQUE 1.5 Lb.Ft  
 BD TORQUE 4.0 Lb.Ft  
 LR TORQUE 5 Lb.Ft

FL AMPS 12/6.2-6  
 PU TORQUE 3.8 Lb.Ft  
 LR AMPS 34

WINDING C632211-5

Date 3/26/2018