

PRODUCT INFORMATION PACKET



Model No: A6K17NB29A

Catalog No: A009581.00

...75HP..1725RPM.56.TEAO.115/230V.1PH.60HZ.CONT AOM.40C.1.0SF.RIGID.A6K17NB29A.....

Agricultural



Regal and Leeson are trademarks of Regal Beloit Corporation or one of its affiliated companies.

©2018 Regal Beloit Corporation, All Rights Reserved. MC017097E



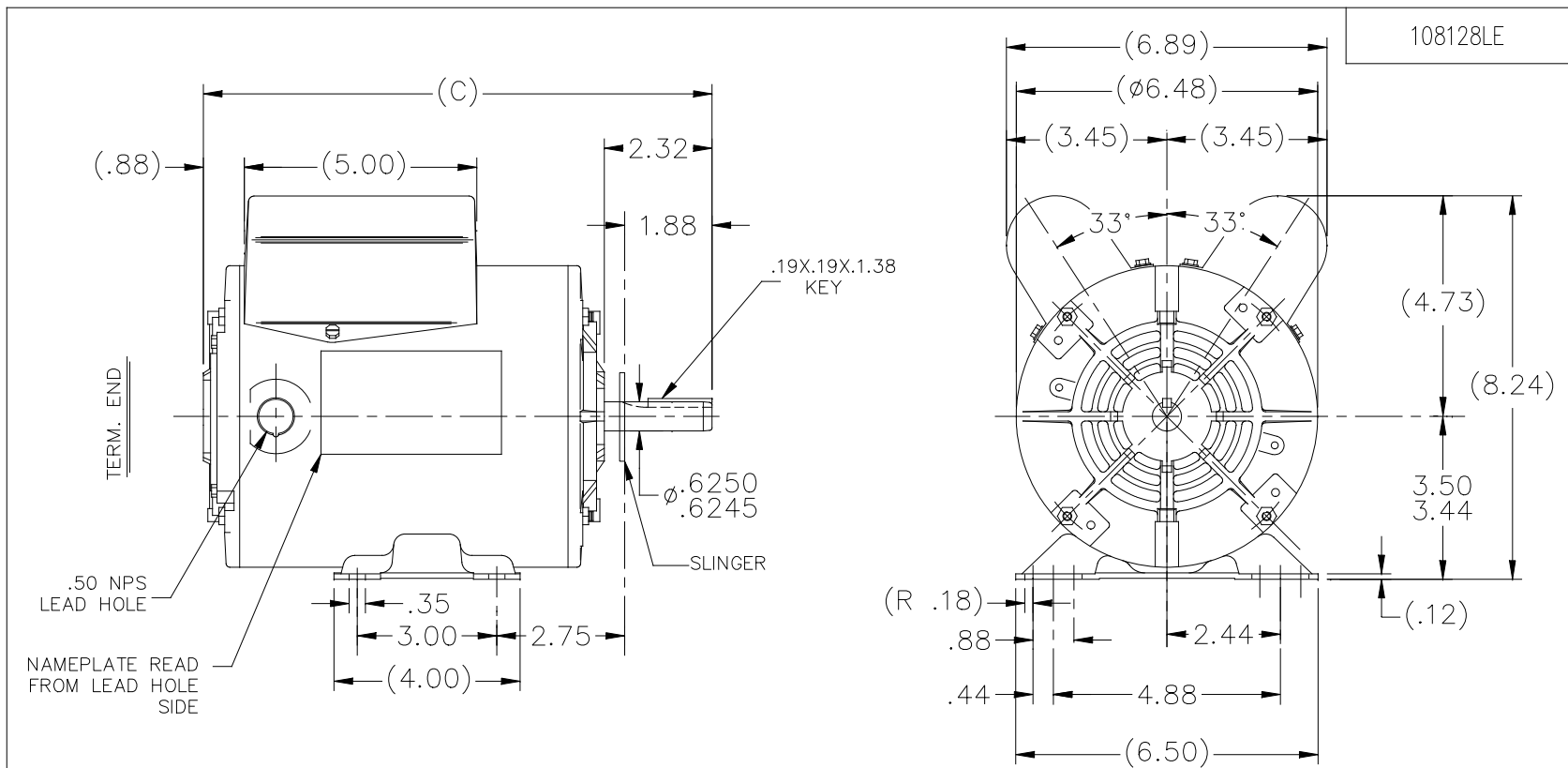


Nameplate Specifications

Output HP	0.75 Hp	Output KW	0.56 kW
Frequency	60 Hz	Voltage	115/230 V
Current	6.0/3.0 A	Speed	1725 rpm
Service Factor	1	Phase	1
Efficiency	83 %	Duty	Continuous
Insulation Class	B	Design Code	N
KVA Code	E	Frame	56
Enclosure	Totally Enclosed Air Over	Overload Protector	Automatic Lock Rotor Only
Ambient Temperature	40 °C	Drive End Bearing Size	6203
Opp Drive End Bearing Size	6203	UL	Recognized
CSA	Y	CE	N
IP Code	43		

Technical Specifications

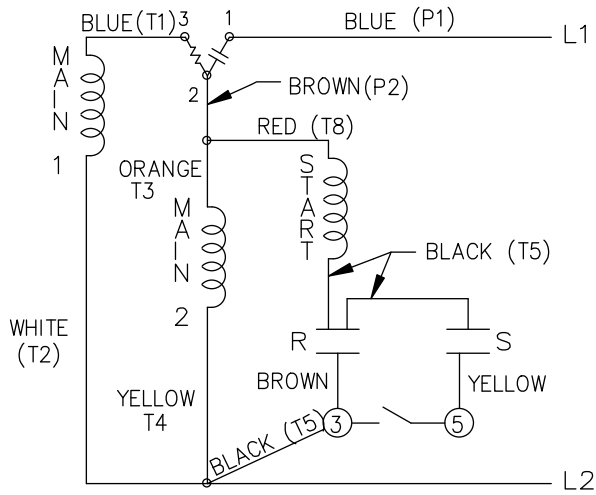
Electrical Type	Capacitor Start Capacitor Run	Starting Method	Across The Line
Poles	4	Rotation	Selective Counterclockwise
Mounting	Rigid base	Motor Orientation	HORIZONTAL
Drive End Bearing	BALL	Opp Drive End Bearing	BALL
Frame Material	Rolled Steel	Shaft Type	NEMA 56
Overall Length	10.94 in	Frame Length	7.06 in
Shaft Diameter	0.625 in	Shaft Extension	1.88 in
Assembly/Box Mounting	F1 ONLY		
Outline Drawing	A-108128LE-706	Connection Diagram	A-102006-85LE



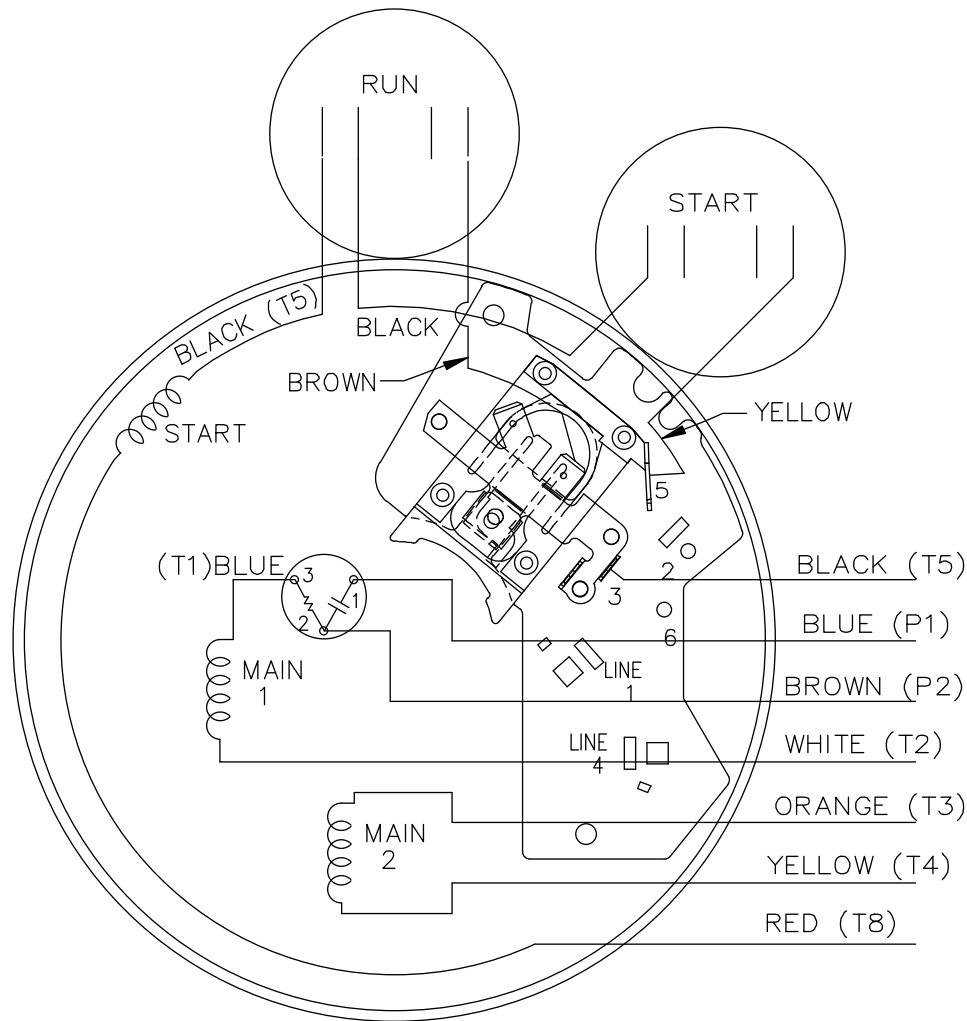
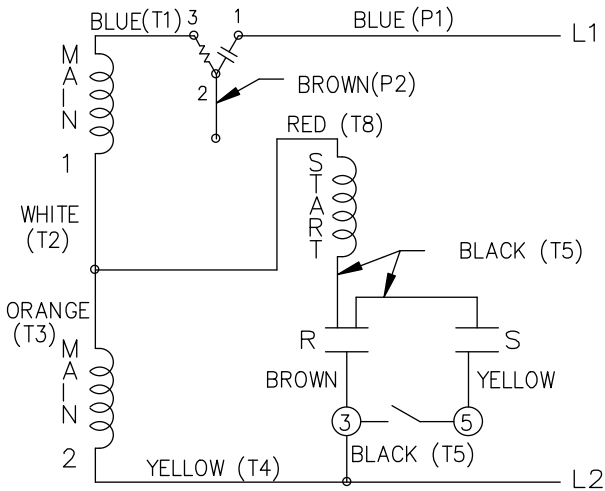
DASH	C	DASH	C
606	9.94	806	11.94
656	10.44	856	12.44
706	10.94		
756	11.44		

				TOLERANCES UNLESS SPECIFIED		LEESON	ELECTRIC MOTORS GEARMOTORS AND DRIVES	DRAWN PST 11/12/2013	
				DEC.	INCHES			CHK	SM 11/12/2013
				.X	±.1	TITLE OUTLINE 56 FR. - TENV - BB		APPD	SCALE 1:1
				.XX	±.03			REF	105284
				.XXX	±.005			FMF	A009581.00
B	ADDED DASH 856	SM	10/3/2017	SM	.XXXX ±.0005	MAT'L.	FINISH	PREV	
NO.	REVISION	BY & DATE		CHK	ANG ±7'30"				
THIS DRAWING IN DESIGN AND DETAIL IS OUR PROPERTY AND MUST NOT BE USED EXCEPT IN CONNECTION WITH OUR WORK ALL RIGHTS OF DESIGN AND INVENTION ARE RESERVED THIS IS AN ELECTRONICALLY GENERATED DOCUMENT - DO NOT SCALE THIS PRINT				RFP		CAD FILE	108128LE	SIZE	DRAWING NO. PAGE OF REV.
				DIST	WP-LE	A	108128LE	B	

LOW VOLTAGE C.C.W.



HIGH VOLTAGE C.C.W.

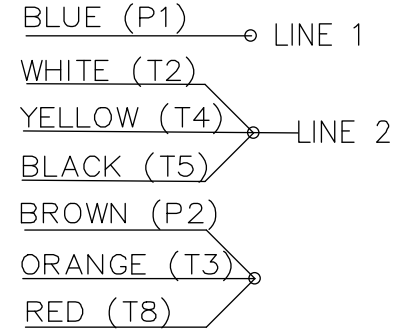


NOTE: USE P & T TERMINALS WHEN CALLED IN BOM

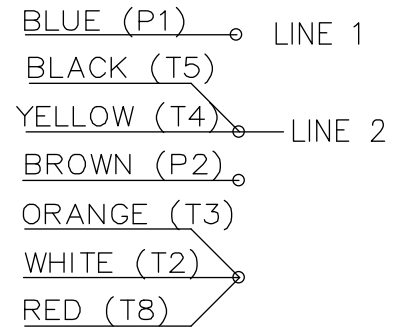
102006-85LE

DUAL VOLTAGE
CAP. START-CAP. RUN
OVERLOAD SELECT
ROTATION.


LOW VOLT. CCW ROT.



HIGH VOLT. CCW ROT.



FOR CW ROT. EITHER
VOLTAGE INTERCHANGE
RED(T8) WITH BLACK(T5) LEAD.

		TOLERANCES UNLESS SPECIFIED		 ELECTRIC MOTORS GEARMOTORS AND DRIVES	DRAWN	VS 1/28/10					
		DEC.	INCHES		CHK						
		.X	±.1		APPD	VS 1/28/10					
		.XX	±.02		SCALE	5=8					
		.XXX	±.005		REF	102006-85					
01	ADDED P & T TERMINALS	UD	09/27/13	SKM	.XXXX	±.0005	MAT'L.	FMF			
NO.	REVISION	BY & DATE	CHK	ANG	±7'30"	FINISH		PREV			
THIS DRAWING IN DESIGN AND DETAIL IS OUR PROPERTY AND MUST NOT BE USED EXCEPT IN CONNECTION WITH OUR WORK ALL RIGHTS OF DESIGN AND INVENTION ARE RESERVED THIS IS AN ELECTRONICALLY GENERATED DOCUMENT - DO NOT SCALE THIS PRINT				RFP	CAD FILE	102006-85LE	SIZE	DRAWING NO.	PAGE	OF	REV.
				DIST	WP		A	102006-85LE			01



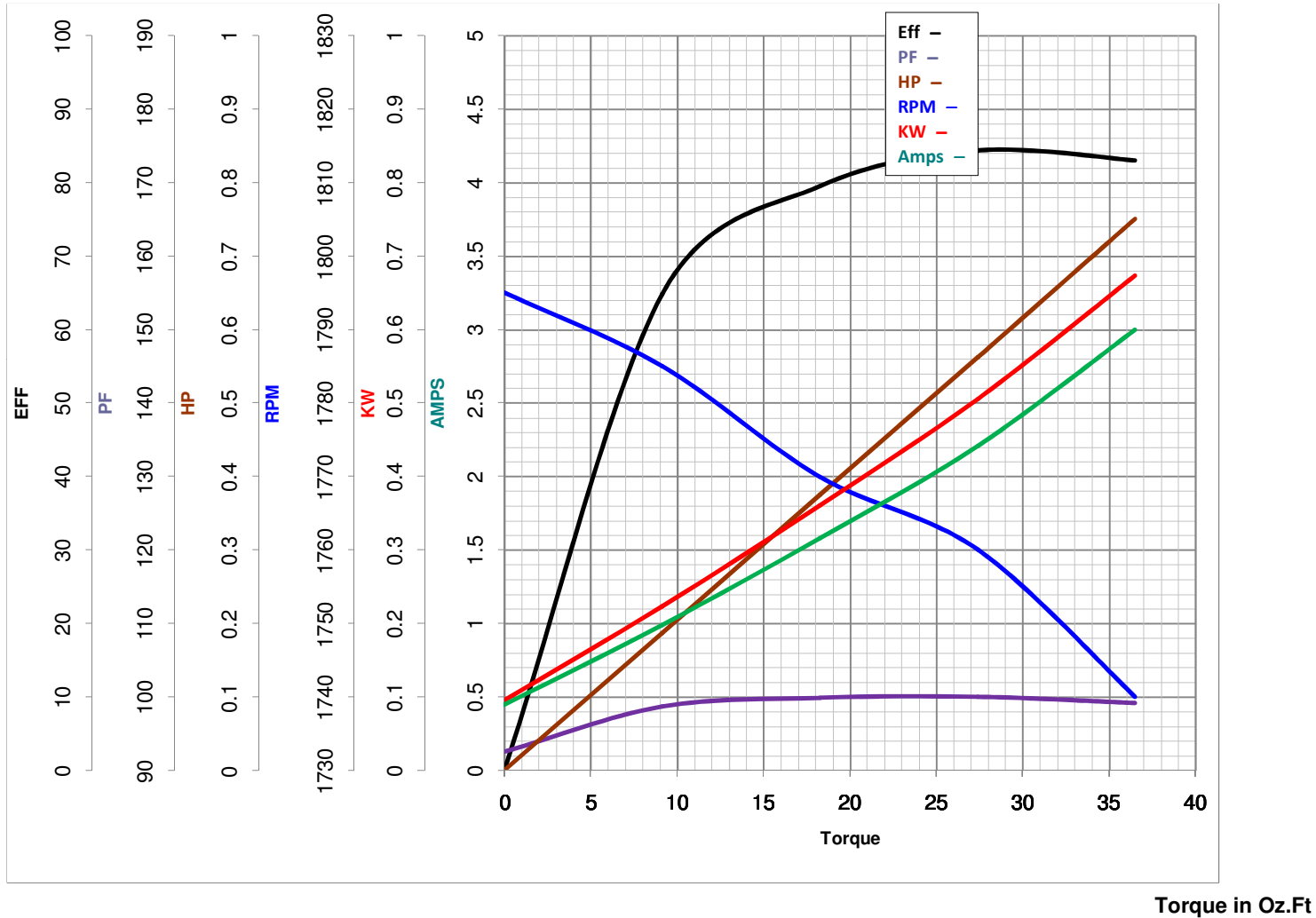
LEESON ELECTRIC CORPORATION
 TYPICAL PERFORMANCE CURVE for AC MOTOR

Model No A009581.00

Curve at 230 Volts HP 0.76 PHASE 1
60 HZ
0.75 HP VOLTS 115/230

Catalog No A009581.00

HZ 60 RPM 1725



FL TORQUE 36.52 Oz.Ft
 BD TORQUE 70.0 Oz.Ft
 LR TORQUE 52 Oz.Ft

FL AMPS 43.254
 PU TORQUE 52.0 Oz.Ft
 LR AMPS 15.2

WINDING ZB4189-3

Date 3/26/2018