

PRODUCT INFORMATION PACKET



Model No: A6K17NB33A

Catalog No: A009782.00

..1HP..1800RPM.56H.TEAO.115/230V.1PH.60HZ.CONT.40C..RIGID.....FARM AG.....

Agricultural



Regal and Leeson are trademarks of Regal Beloit Corporation or one of its affiliated companies.

©2018 Regal Beloit Corporation, All Rights Reserved. MC017097E



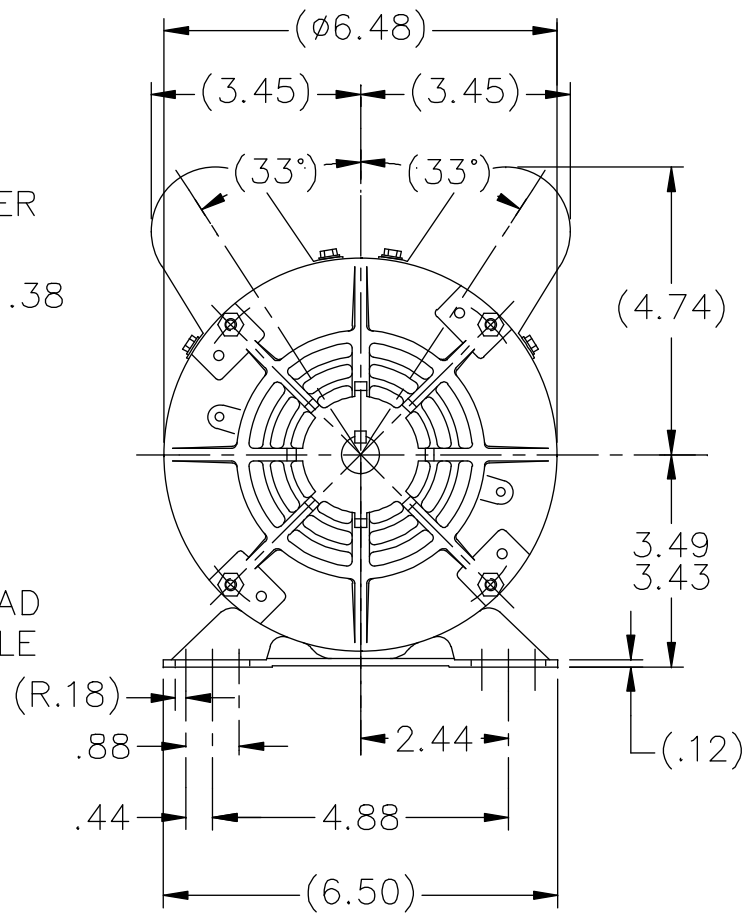
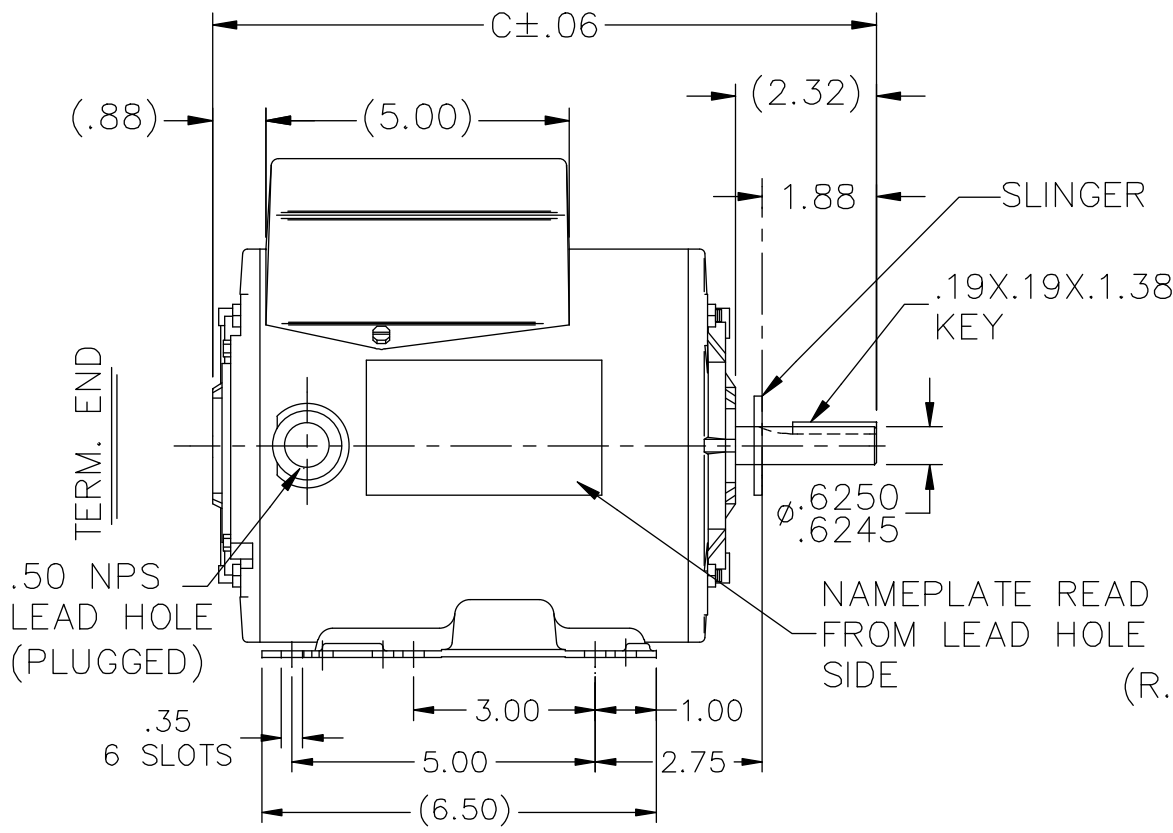


Nameplate Specifications


Output HP	1 Hp	Output KW	0.75 kW
Frequency	60 Hz	Voltage	115/230 V
Current	8.0/4.0 A	Speed	1725 rpm
Service Factor	1.25	Phase	1
Efficiency	85.5 %	Duty	Continuous
Insulation Class	B	Design Code	N
KVA Code	G	Frame	56H
Enclosure	Totally Enclosed Air Over	Overload Protector	Automatic Lock Rotor Only
Ambient Temperature	40 °C	Drive End Bearing Size	6203
Opp Drive End Bearing Size	6203	UL	Recognized
CSA	Y	CE	N
IP Code	43		

Technical Specifications

Electrical Type	Capacitor Start Capacitor Run	Starting Method	Across The Line
Poles	4	Rotation	Selective Counterclockwise
Mounting	Rigid base	Motor Orientation	HORIZONTAL
Drive End Bearing	BALL	Opp Drive End Bearing	BALL
Frame Material	Rolled Steel	Shaft Type	NEMA 56
Overall Length	12.44 in	Frame Length	8.56 in
Shaft Diameter	0.625 in	Shaft Extension	1.88 in
Assembly/Box Mounting	F1 ONLY		
Outline Drawing	A-107336LE-856	Connection Diagram	A-102006-85LE

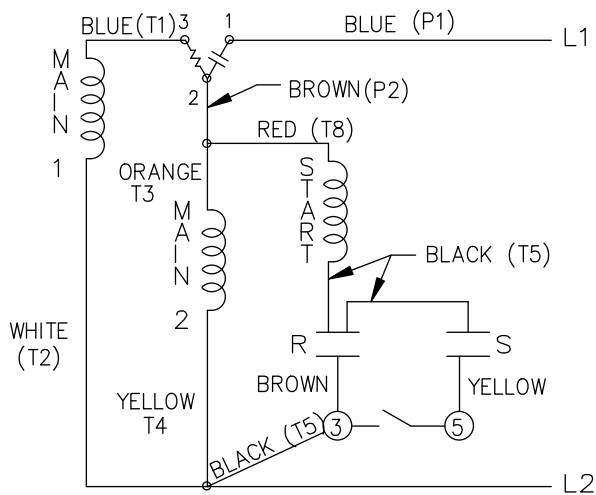


DASH	C	DASH	C
		756	11.44
606	9.94	806	11.94
656	10.44	856	12.44
706	10.94	906	12.94

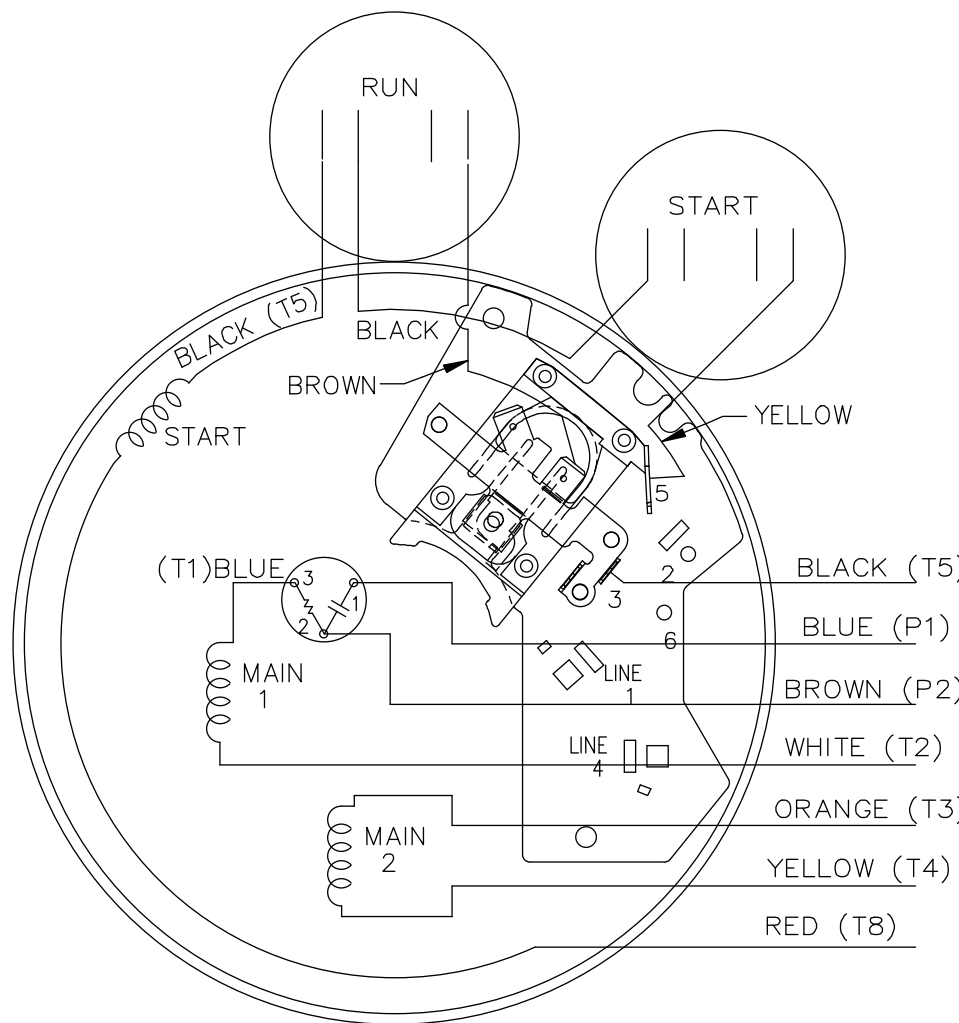
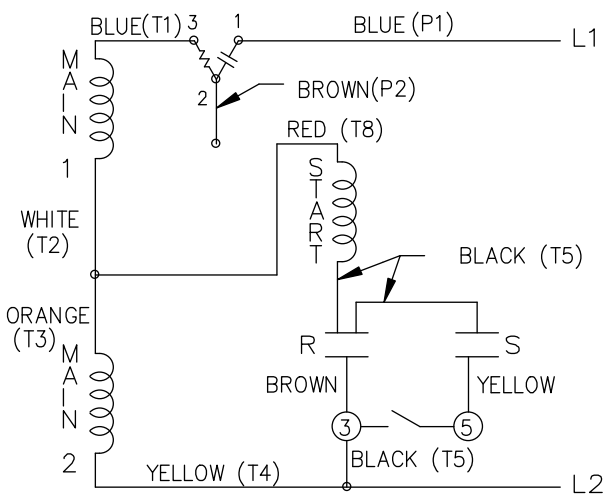
				TOLERANCES UNLESS SPECIFIED		 ELECTRIC MOTORS GEARMOTORS AND DRIVES	DRAWN NB 10-18-2007					
				DEC.	INCHES		CHK	VL 01-29-2008				
				.X	±.1	TITLE OUTLINE 56 FR. - TE - BB MAT'L.	APPD	NB 01-29-2008				
				.XX	±.03		SCALE	5=16				
				.XXX	±.005		REF	100588				
				.XXXX	±.0005		FMF	ME070145				
				ANG	±7'30"		PREV	ME070145OL				
NO.	REVISION			BY & DATE	CHK	ANG	FINISH	SIZE	DRAWING NO.	PAGE	OF	REV.
								A	107336LE			
THIS DRAWING IN DESIGN AND DETAIL IS OUR PROPERTY AND MUST NOT BE USED EXCEPT IN CONNECTION WITH OUR WORK ALL RIGHTS OF DESIGN AND INVENTION ARE RESERVED THIS IS AN ELECTRONICALLY GENERATED DOCUMENT - DO NOT SCALE THIS PRINT						RFP	01-29-2008	CAD FILE		107336LE		
						DIST	WP					

102006-85LE

LOW VOLTAGE C.C.W.



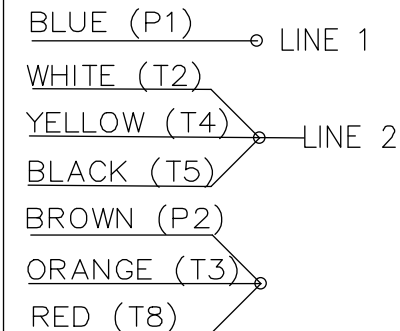
HIGH VOLTAGE C.C.W.



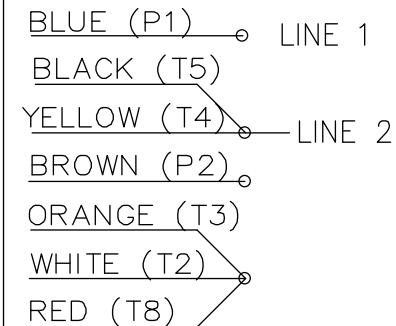
NOTE: USE P & T TERMINALS WHEN CALLED IN BOM

DUAL VOLTAGE
CAP. START-CAP. RUN
OVERLOAD SELECT
ROTATION.


LOW VOLT. CCW ROT.



HIGH VOLT. CCW ROT.



FOR CW ROT. EITHER
VOLTAGE INTERCHANGE
RED(T8) WITH BLACK(T5) LEAD.

		TOLERANCES UNLESS SPECIFIED		 ELECTRIC MOTORS GEARMOTORS AND DRIVES	DRAWN	VS 1/28/10					
		DEC.	INCHES		CHK						
		.X	±.1		APPD	VS 1/28/10					
		.XX	±.02		SCALE	5=8					
		.XXX	±.005		REF	102006-85					
01	ADDED P & T TERMINALS	UD	09/27/13	SKM	.XXXX	±.0005	MAT'L.	FMF			
NO.	REVISION	BY & DATE	CHK	ANG	±7'30"	FINISH		PREV			
THIS DRAWING IN DESIGN AND DETAIL IS OUR PROPERTY AND MUST NOT BE USED EXCEPT IN CONNECTION WITH OUR WORK ALL RIGHTS OF DESIGN AND INVENTION ARE RESERVED THIS IS AN ELECTRONICALLY GENERATED DOCUMENT - DO NOT SCALE THIS PRINT				RFP	CAD FILE	102006-85LE	SIZE	DRAWING NO.	PAGE	OF	REV.
				DIST	WP		A	102006-85LE			01



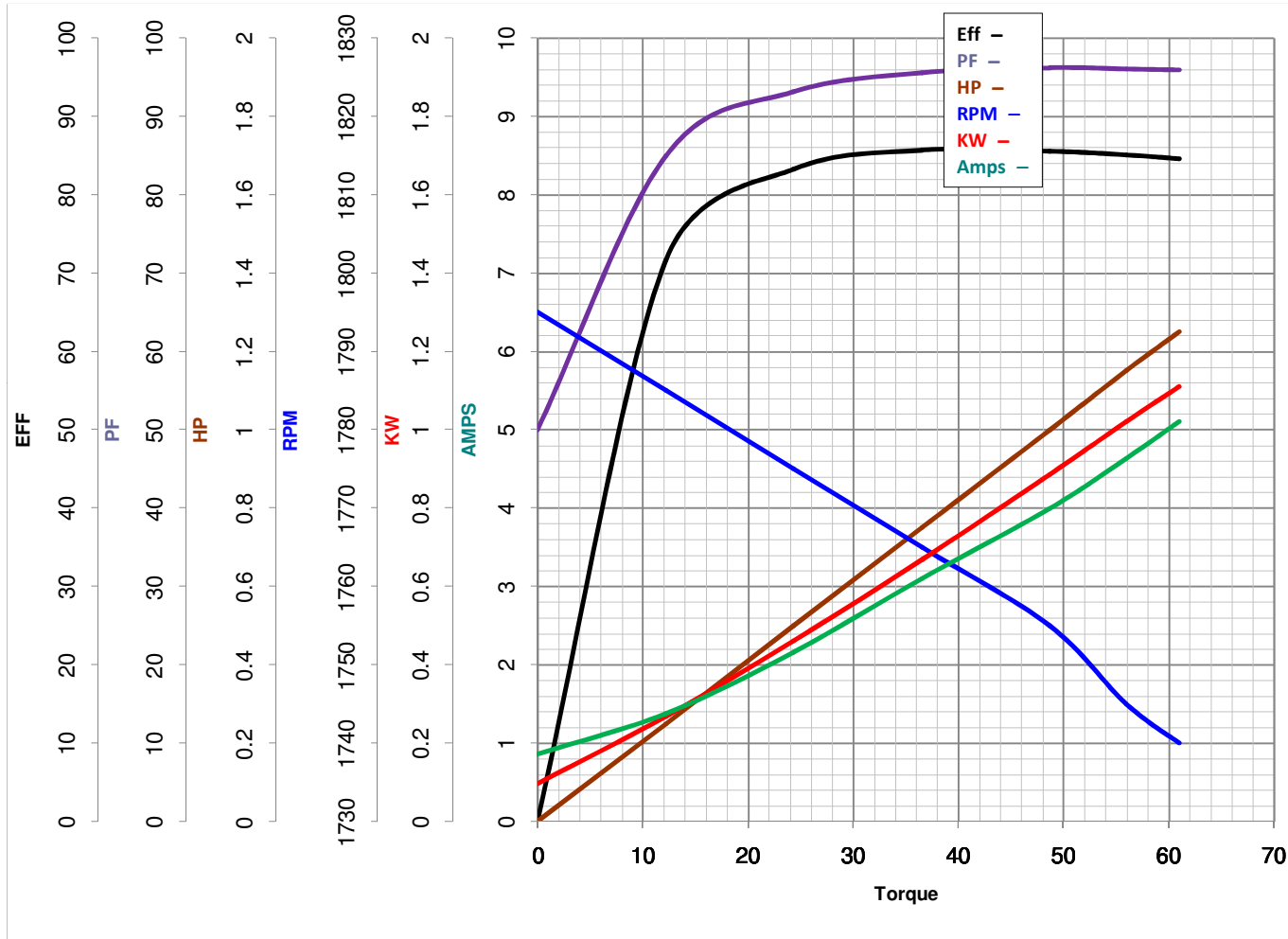
LEESON ELECTRIC CORPORATION
 TYPICAL PERFORMANCE CURVE for AC MOTOR

Model No A009782.00

Curve at 230 Volts HP 1.00 PHASE 1
60 HZ
1 HP VOLTS 115/230

Catalog No A009782.00

HZ 60 RPM 1725



Torque in Oz.Ft

FL TORQUE 48.7 Oz.Ft
 BD TORQUE 112.0 Oz.Ft
 LR TORQUE 75 Oz.Ft

FL AMPS 43.316
 PU TORQUE 68.0 Oz.Ft
 LR AMPS 26.1

WINDING ZB4188-3

Date 4/23/2018