

PRODUCT INFORMATION PACKET



Model No: A6P11NR1G

Catalog No: 111321.00

1/2HP..1075RPM.56H.TENV./V.1PH.60HZ.AIROVER.AUTOMATIC.40C.1.0SF.RESIL.AG - FAN &
BLOWER.A6P11NR1G

Agricultural



Regal and Leeson are trademarks of Regal Beloit Corporation or one of its affiliated companies.

©2018 Regal Beloit Corporation, All Rights Reserved. MC017097E





Nameplate Specifications

Output HP	0.50 Hp	Output KW	0.37 kW
Frequency	60 Hz	Voltage	115/230 V
Current	6.0/3.0 A	Speed	1075 rpm
Service Factor	1	Phase	1
Efficiency	62 %	Duty	Continuous
Insulation Class	B	Design Code	N
KVA Code	D	Frame	56HZ
Enclosure	Totally Enclosed Air Over	Overload Protector	Automatic
Ambient Temperature	40 °C	Drive End Bearing Size	6203
Opp Drive End Bearing Size	6203	UL	Recognized
CSA	Y	CE	N
IP Code	43		

Technical Specifications

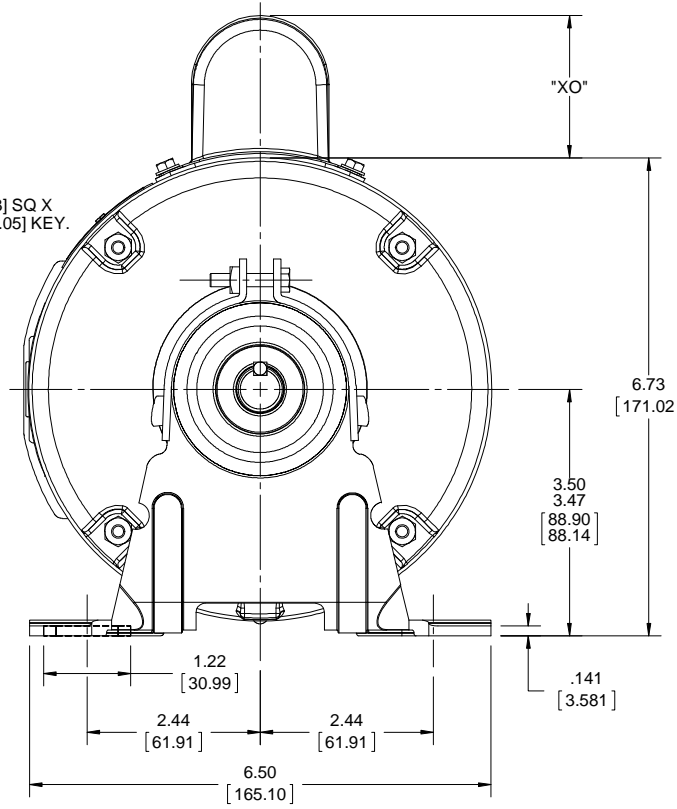
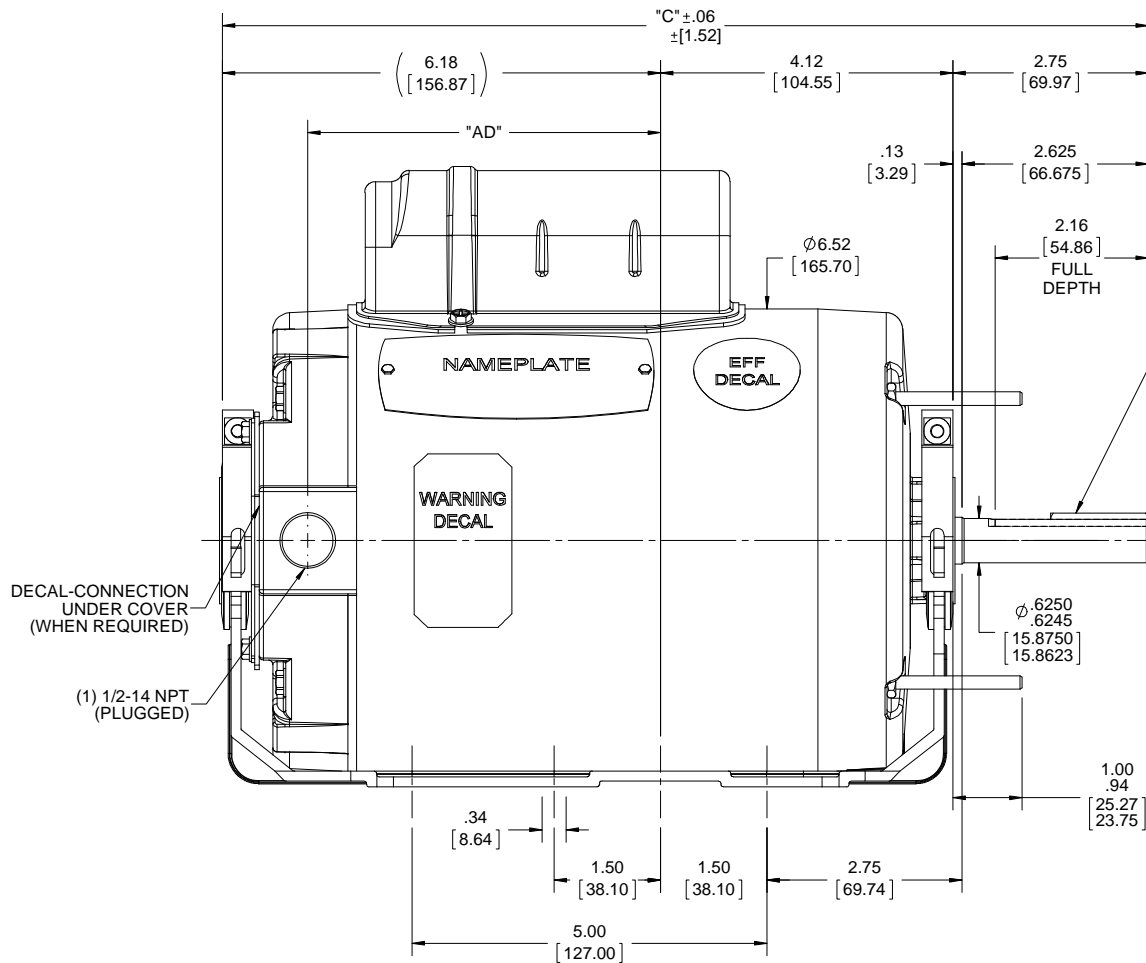
Electrical Type	Permanent Split Capacitor	Starting Method	Across The Line
Poles	6	Rotation	Selective Counterclockwise
Mounting	Resilient Base	Motor Orientation	HORIZONTAL
Drive End Bearing	BALL	Opp Drive End Bearing	BALL
Frame Material	Rolled Steel	Shaft Type	Single Special Extension
Overall Length	13.60 in	Frame Length	7.00 in
Shaft Diameter	0.625 in	Shaft Extension	2.75 in
Assembly/Box Mounting	F1 ONLY		
Outline Drawing	028752-700B	Connection Diagram	005109.01

B

B

A

A



NOTE:-
1) GASKET THROUGHOUT.

DASH NO.	"C"	"AD"		
550	12.05 [306.07]	3.97 [100.84]		
600	12.55 [318.77]	4.47 [113.54]	CAP DASH.	"XO"
650	13.05 [334.47]	4.97 [126.24]	A	1.54 [39.12]
700	13.55 [344.17]	5.47 [138.94]	B	2.01 [51.05]
750	14.05 [356.87]	5.97 [151.64]	C	2.25 [57.15]

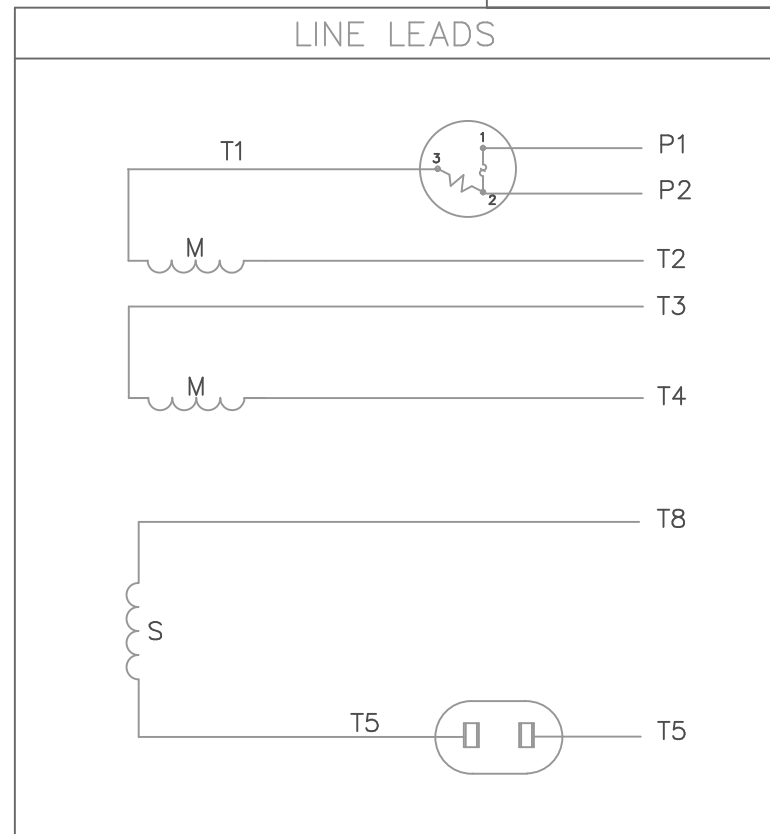
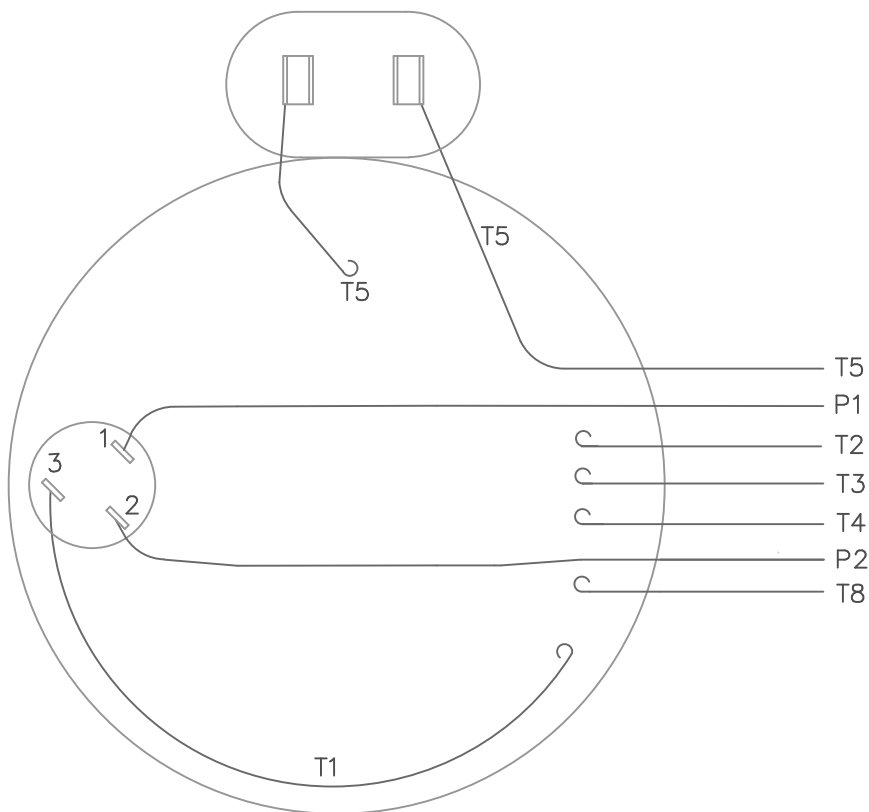
DRAWING REVISION G	REVISION BY A.SUPPANAVAR	DATE 01/22/2018
ECO ECO-0143018	APPROVED BY PK	DATE 04/11/2018
ECO DESCRIPTION OUTLINE CONVERSION PROJECT		
<small>COPYRIGHT REGAL BELOIT AMERICA, INC. ALL RIGHTS RESERVED. PROPRIETARY AND CONFIDENTIAL INFORMATION - THIS DOCUMENT IS THE PROPERTY OF REGAL BELOIT AMERICA, INC. ("OWNER") AND CONTAINS OWNER'S PROPRIETARY INFORMATION. ANY PERSON, CORPORATION OR OTHER FIRM RECEIVING IT IS DEEMED, BY RECEIVING IT, TO AGREE THAT IT, AND/OR ANY PART OF IT, SHALL NOT BE DISCLOSED TO ANY PERSON, CORPORATION OR OTHER ENTITY, DUPLICATED, AND/OR USED, EXCEPT AS EXPRESSLY APPROVED IN WRITING IN ADVANCE BY OWNER. THIS DOCUMENT SHALL BE RETURNED TO OWNER UPON REQUEST. IT MAY BE SUBJECT TO CERTAIN RESTRICTIONS UNDER APPLICABLE EXPORT CONTROL LAWS AND REGULATIONS.</small>		

TOLERANCES UNLESS OTHERWISE SPECIFIED:			
DEC.	INCH	mm	ANGLE
.X	±0.1	[±2.5]	±0.5°
.XX	±0.03	[±0.76]	
.XXX	±0.005	[±0.127]	
.XXXX	±0.0005	[±0.0127]	
REMOVE BURRS & BREAK SHARP EDGES: .003/.015 [0.076/.381] X 45°			
CORNER FILLETS: R.02 [51]			
MACHINED SURFACES: 125/3.2			
mm SHOWN IN [BRACKETS]			

DRAWN BY RDW	DATE 03/17/06
APPROVED BY SW	DATE 03/17/06
REFERENCE 028752	THIRD ANGLE PROJECTION

Regal Beloit America, Inc.	
DESCRIPTION OUTLINE 56H FRAME TENV-RESILIENT	
MATERIAL	PROCESS/FINISH
SIZE B	DRAWING NUMBER 028752
	SHEET 1 OF 1

VIEW FROM OUTSIDE OF MOTOR AT SWITCH END.



	ROTATION FACING LEAD END	L1	L2	JOIN	INSULATE SEPARATELY
HIGH VOLT	C.C.W.	P1	T4 T5	T2, T3 T8	P2
	C.W.	P1	T4 T8	T2, T3 T5	P2
LOW VOLT	C.C.W.	P1	T2, T4 T5	P2, T3 T8	--
	C.W.	P1	T2, T4 T8	P2, T3 T5	--

				TOLERANCES UNLESS OTHERWISE SPECIFIED			LEESON ELECTRIC CORPORATION				
				DEC.	INCHES	METRIC					
				.X	±	±	DRAWN JRW 10/01/75		TITLE EXTERNAL WIRING DIAGRAM TYPE "P" W/PROTECTOR		
				.XX	±	±	APPR. JBM 10/02/75				
08	REDRAWN ON CAD	DBT 05/28/97		.XXX	±	±	R.F.P.		MAT'L. DECAL - 004011 BRF		
NO.	REVISION	BY & DATE	CH'K'D.	.XXXX	±	±	SCALE 1=1				
THIS DRAWING IN DESIGN AND DETAIL IS OUR PROPERTY AND MUST NOT BE USED EXCEPT IN CONNECTION WITH OUR WORK ALL RIGHTS OF DESIGN AND INVENTION ARE RESERVED THIS IS AN ELECTRONICALLY GENERATED DOCUMENT - DO NOT SCALE THIS PRINT				FRACTIONS	±		REF.	005003	FINISH	REV. 08	DRAWING NO. 005109-01
				ANGLES	±		FMF	W-P5567			



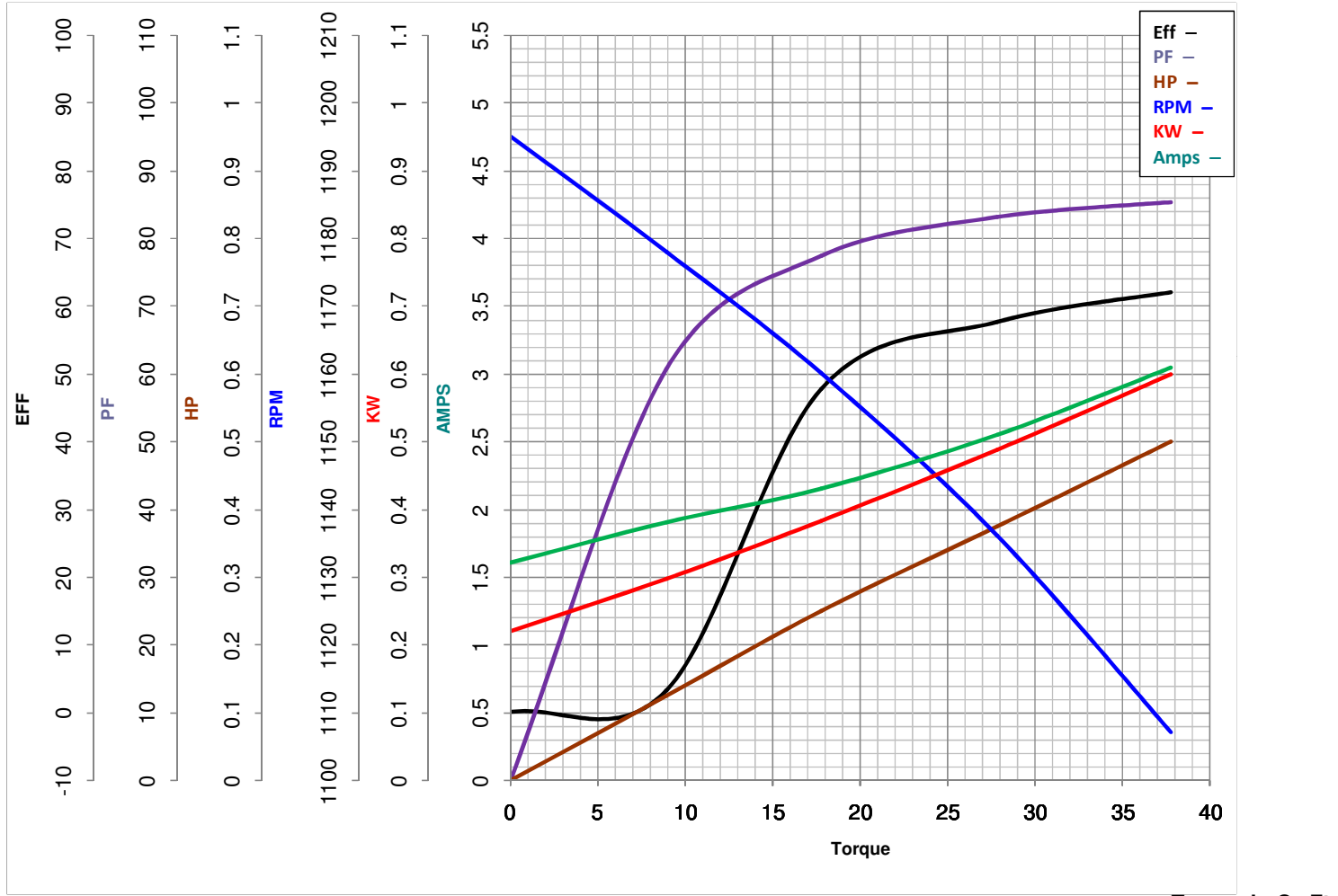
LEESON ELECTRIC CORPORATION
 TYPICAL PERFORMANCE CURVE for AC MOTOR

Model No 111321.00

Catalog No 111321.00

Curve at 230 Volts HP 0.50 PHASE 1
60 HZ
0.5 HP VOLTS 115/230

HZ 60 RPM 1075



FL TORQUE	<u>37.76</u> Oz.Ft	FL AMPS	<u>6/3</u>
BD TORQUE	<u>66.1</u> Oz.Ft	PU TORQUE	<u>24.8</u> Oz.Ft
LR TORQUE	<u>27.36</u> Oz.Ft	LR AMPS	<u>8.88</u>
WINDING	P63635-3	Date	7/17/2018