

PRODUCT INFORMATION PACKET



Model No: A6P11NR2H

Catalog No: 111322.00

3/4HP..1075RPM.56H.TENV./V.1PH.60HZ.AIROVER.AUTOMATIC.40C.1.0SF.RESIL.AG - FAN &
BLOWER.A6P11NR2H

Agricultural



Regal and Leeson are trademarks of Regal Beloit Corporation or one of its affiliated companies.

©2018 Regal Beloit Corporation, All Rights Reserved. MC017097E



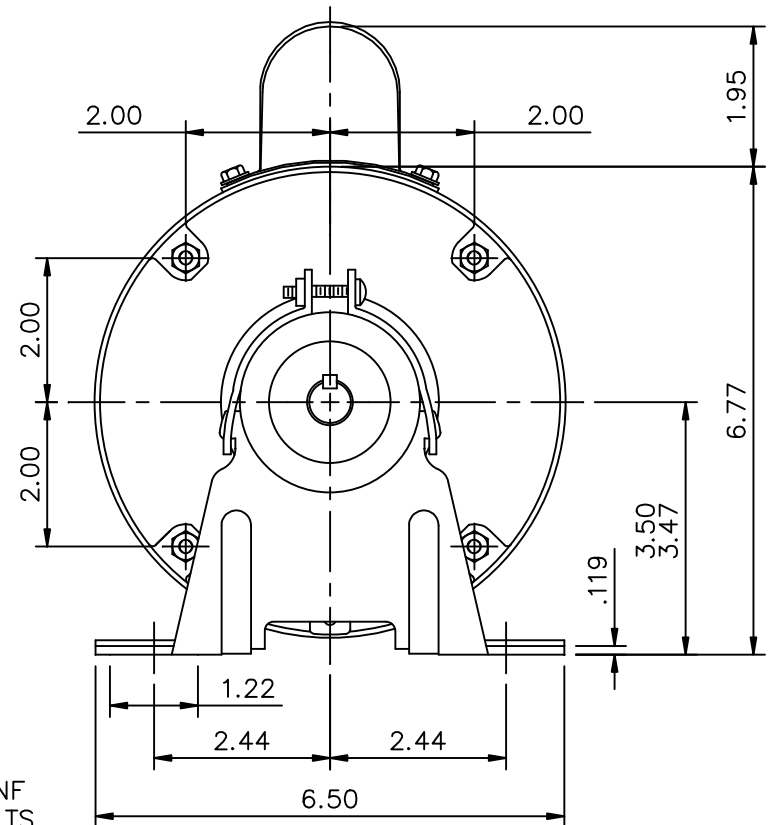
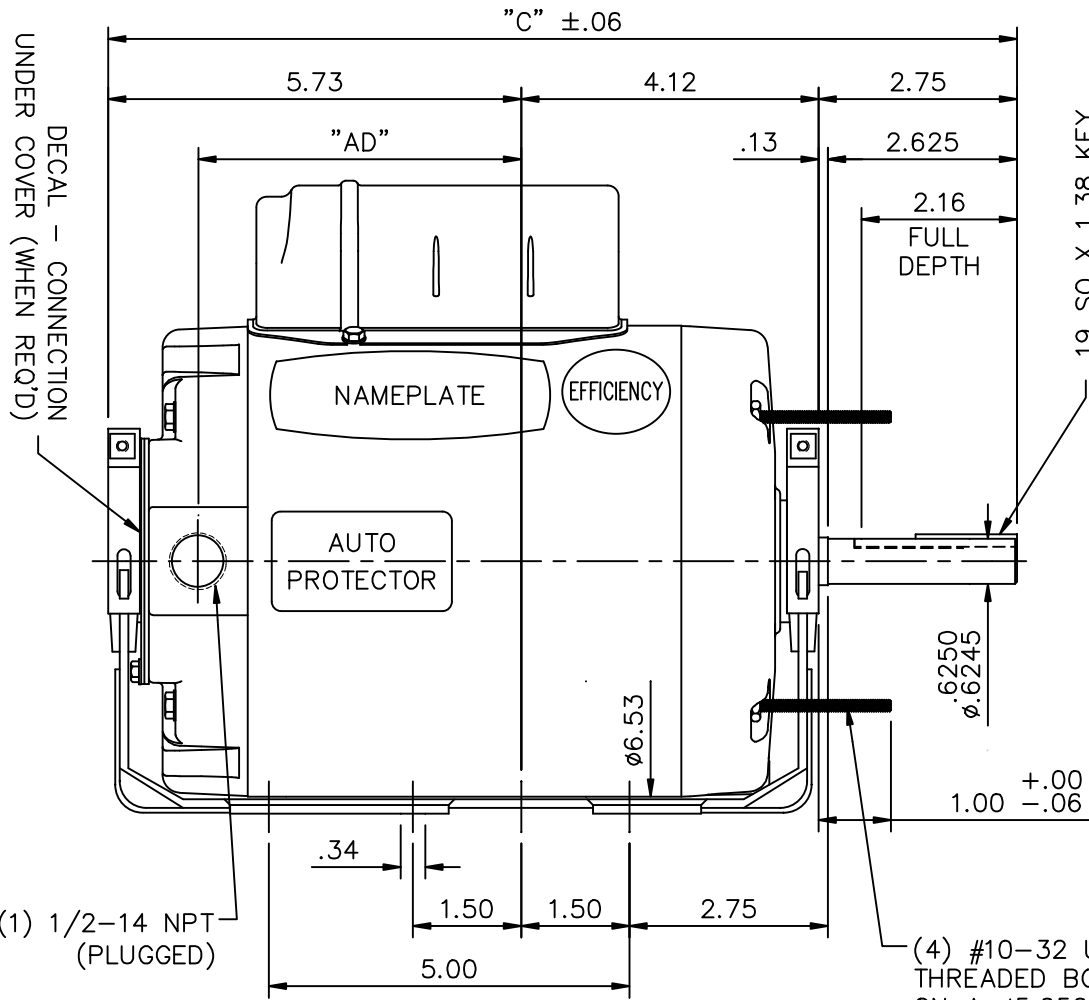


Nameplate Specifications

Output HP	0.75 Hp	Output KW	0.56 kW
Frequency	60 Hz	Voltage	115/230 V
Current	8.0/4.0 A	Speed	1075 rpm
Service Factor	1	Phase	1
Efficiency	70 %	Duty	Continuous
Insulation Class	B	Design Code	NO DESIGN CODE
KVA Code	D	Frame	56HZ
Enclosure	Totally Enclosed Air Over	Overload Protector	Automatic
Ambient Temperature	40 °C	Drive End Bearing Size	6203
Opp Drive End Bearing Size	6203	UL	Recognized
CSA	Y	CE	N
IP Code	43		

Technical Specifications

Electrical Type	Permanent Split Capacitor	Starting Method	Across The Line
Poles	6	Rotation	Selective Counterclockwise
Mounting	Resilient Base	Motor Orientation	HORIZONTAL
Drive End Bearing	BALL	Opp Drive End Bearing	BALL
Frame Material	Rolled Steel	Shaft Type	Single Special Extension
Overall Length	14.10 in	Frame Length	7.50 in
Shaft Diameter	0.625 in	Shaft Extension	2.75 in
Assembly/Box Mounting	F1 ONLY		
Outline Drawing	028761-750	Connection Diagram	005109.01



DASH NO.	"C"	"AD"
550	12.10	3.97
600	12.60	4.47
650	13.10	4.97
700	13.60	5.47
750	14.10	5.97

GASKETS THROUGHOUT

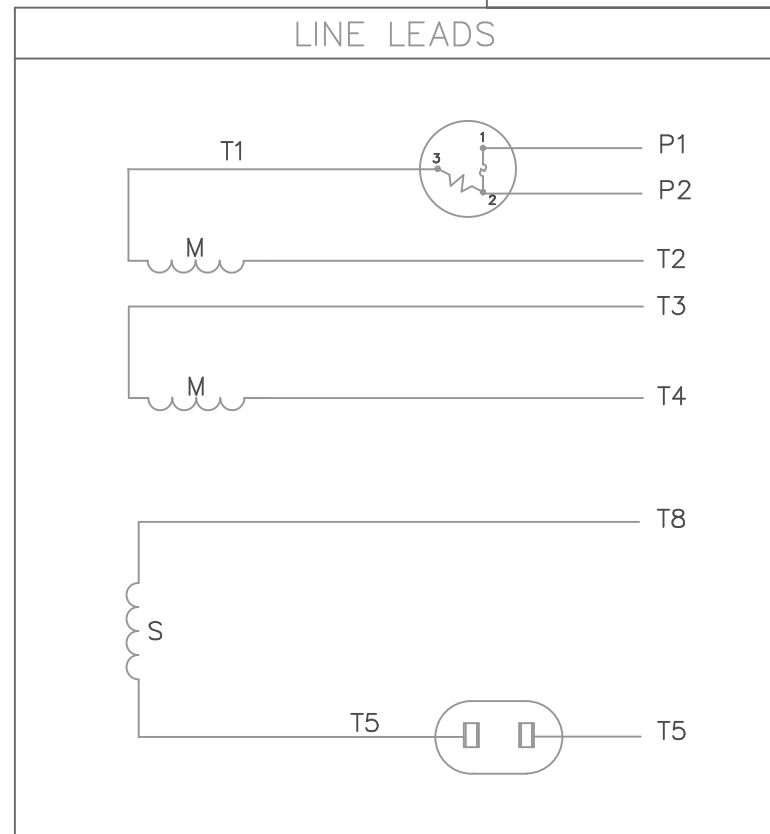
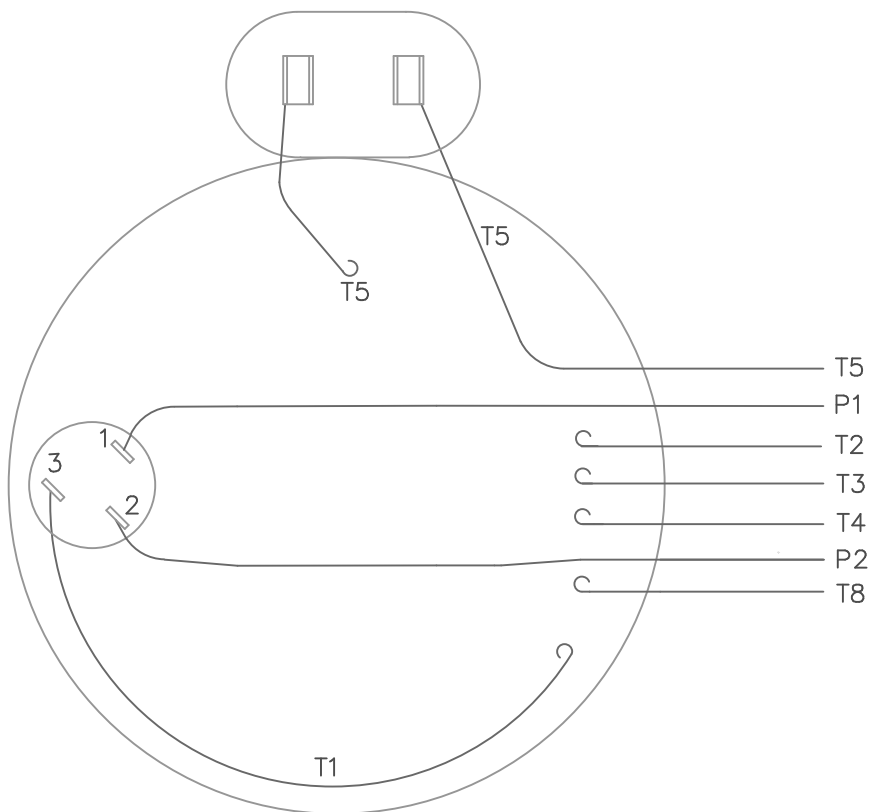
NO.	REVISION	BY & DATE	CHK	TOLERANCES UNLESS SPECIFIED		FINISH	MAT'L.	TITLE	DRAWN	RDW 8/29/06	
				DEC.	INCHES						
				.X	±.1				CHK		
				.XX	±.03				APPD	KH 8/29/06	
				.XXX	±.005				SCALE	3=8	
				.XXXX	±.0005				REF	033463	
				ANG	±1/2'				FMF	111322	
				RFP	8/29/06				PREV		
THIS DRAWING IN DESIGN AND DETAIL IS OUR PROPERTY AND MUST NOT BE USED EXCEPT IN CONNECTION WITH OUR WORK ALL RIGHTS OF DESIGN AND INVENTION ARE RESERVED THIS IS AN ELECTRONICALLY GENERATED DOCUMENT - DO NOT SCALE THIS PRINT							CAD FILE	028761	SIZE	DRAWING NO.	REV.
							DIST		A	028761	



ELECTRIC MOTORS
GEARMOTORS
AND DRIVES

OUTLINE - 56HZ FRAME
TENV - RESILIENT

VIEW FROM OUTSIDE OF MOTOR AT SWITCH END.



	ROTATION FACING LEAD END	L1	L2	JOIN	INSULATE SEPARATELY
HIGH VOLT	C.C.W.	P1	T4 T5	T2, T3 T8	P2
	C.W.	P1	T4 T8	T2, T3 T5	P2
LOW VOLT	C.C.W.	P1	T2, T4 T5	P2, T3 T8	--
	C.W.	P1	T2, T4 T8	P2, T3 T5	--

				TOLERANCES UNLESS OTHERWISE SPECIFIED			LEESON ELECTRIC CORPORATION			
				DEC.	INCHES	METRIC				
				.X	±	±	APPR. JBM 10/02/75		TYPE "P" W/PROTECTOR	
				.XX	±	±	R.F.P.		MAT'L. DECAL - 004011	
08	REDRAWN ON CAD	DBT 05/28/97		.XXX	±	±	SCALE 1=1		BRF	
NO.	REVISION	BY & DATE	CH'K'D.	.XXXX	±	±	REF. 005003		FINISH	
				FRACTIONS	±		FMF W-P5567		REV. 08	
				ANGLES	±				DRAWING NO. 005109-01	

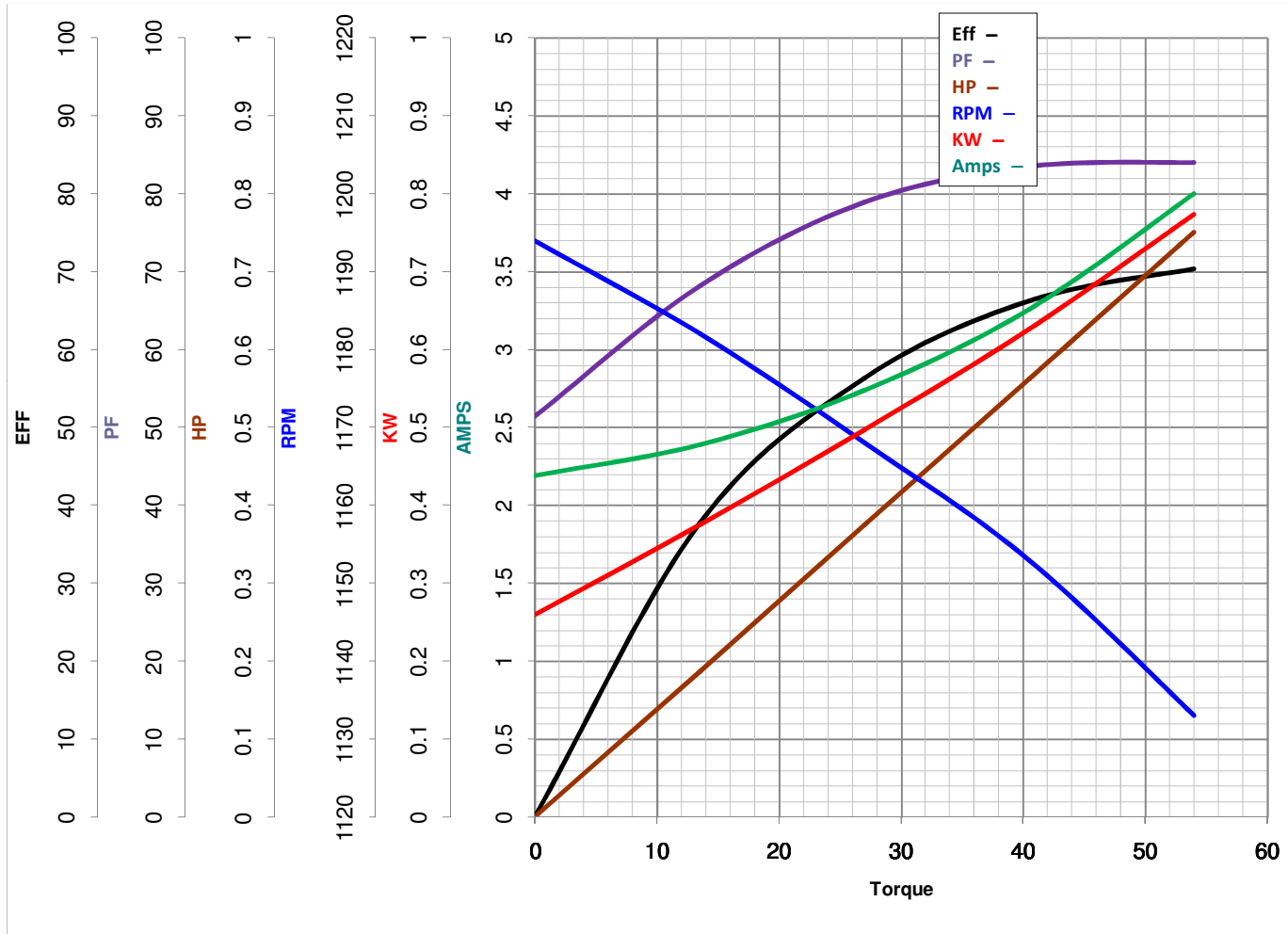


LEESON ELECTRIC CORPORATION
 TYPICAL PERFORMANCE CURVE for AC MOTOR

Model No 111322.00

Catalog No 111322.00

Curve at 230 Volts HP 0.76 PHASE 1
60 HZ
0.75 HP VOLTS 115/230
 HZ 60 RPM 1075



Torque in Oz.Ft

FL TORQUE 54 Oz.Ft
 BD TORQUE 115.0 Oz.Ft
 LR TORQUE 40 Oz.Ft

FL AMPS 43.316
 PU TORQUE 38.0 Oz.Ft
 LR AMPS 14.5

WINDING P63637-3

Date 4/12/2018