

PRODUCT INFORMATION PACKET



Model No: A6T17EK7C

Catalog No: 114626.00

..1/3HP..1725RPM.56.EPNV.208-230/460V.3PH.60HZ.CONT.40C.1.0SF.RIGID.A6T17EK7C.....EXPLOSION-
PROOF.AUTOMATIC.....

Explosion Proof



Regal and Leeson are trademarks of Regal Beloit Corporation or one of its affiliated companies.

©2018 Regal Beloit Corporation, All Rights Reserved. MC017097E



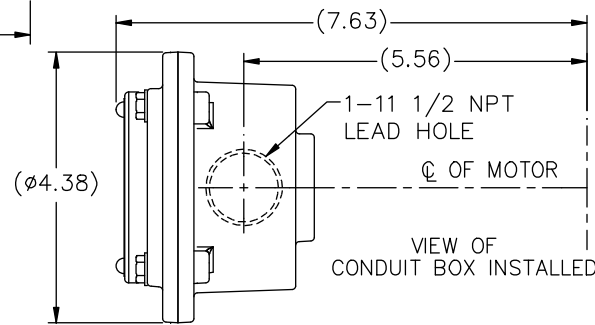
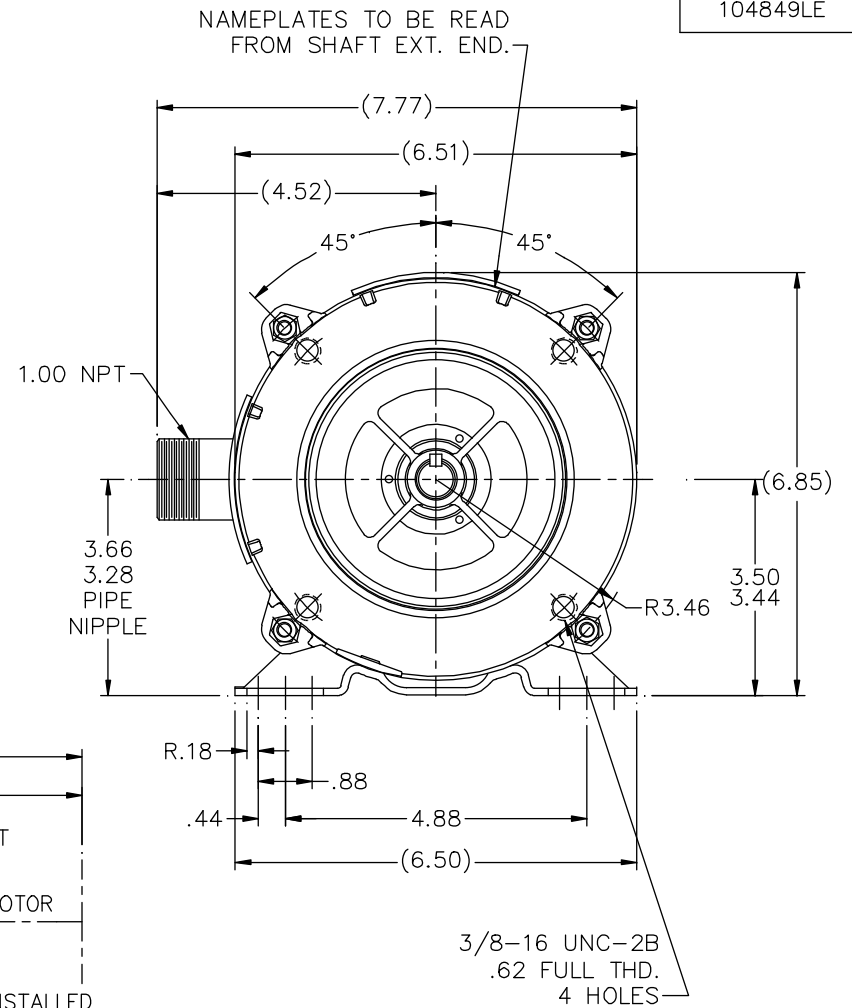
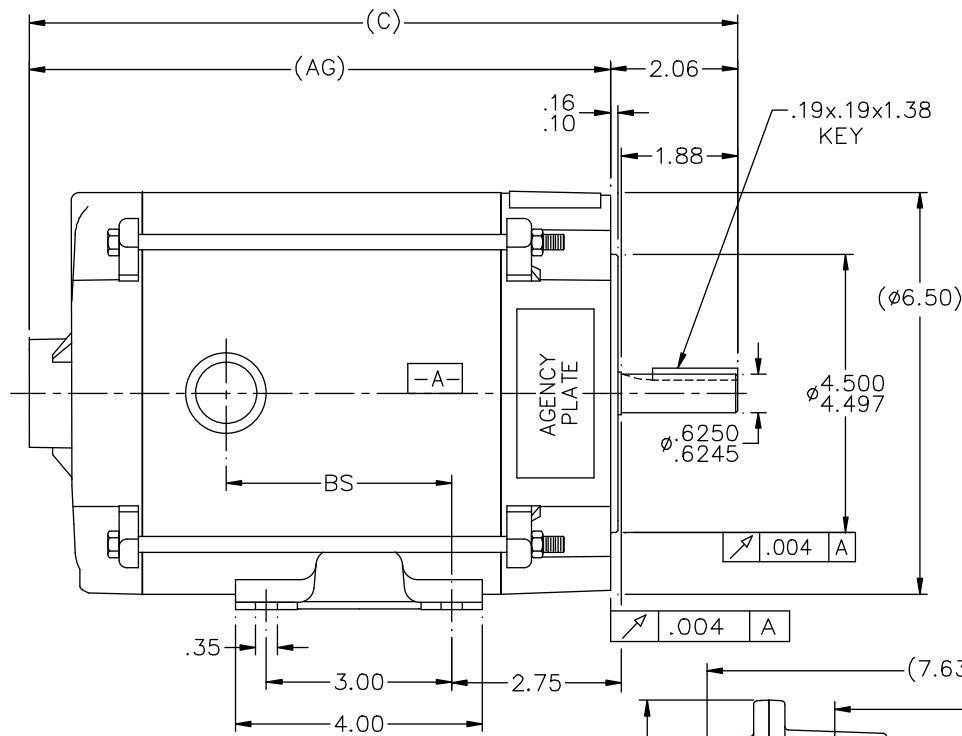


Nameplate Specifications


Output HP	0.33 Hp	Output KW	0.25 kW
Frequency	60 Hz	Voltage	208-230/460 V
Current	1.2-1.2/0.60 A	Speed	1725 rpm
Service Factor	1	Phase	3
Efficiency	74.5 %	Duty	Continuous
Insulation Class	B	Design Code	B
KVA Code	K	Frame	56C
Enclosure	Explosion Proof Non Ventilated	Overload Protector	Automatic
Ambient Temperature	40 °C	Drive End Bearing Size	6203
Opp Drive End Bearing Size	6203	UL	Recognized
CSA	Y	CE	N
IP Code	54		

Technical Specifications

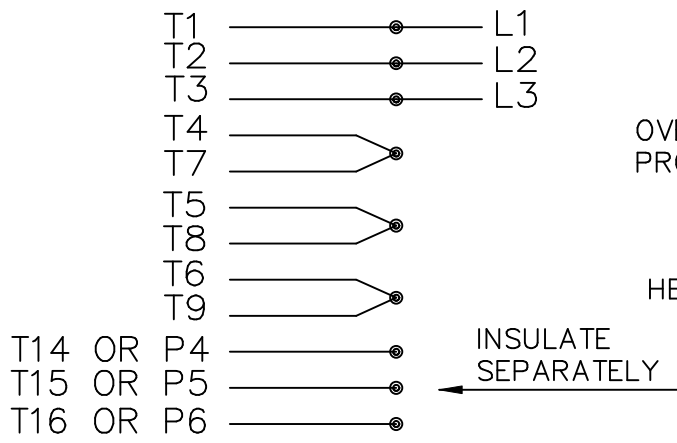
Electrical Type	Squirrel Cage Induction Run	Starting Method	Across The Line
Poles	4	Rotation	Reversible
Mounting	Rigid base	Motor Orientation	HORIZONTAL
Drive End Bearing	BALL	Opp Drive End Bearing	BALL
Frame Material	Rolled Steel	Shaft Type	NEMA 56
Overall Length	11.97 in	Frame Length	6.31 in
Shaft Diameter	0.625 in	Shaft Extension	1.88 in
Assembly/Box Mounting	F1 ONLY		
Outline Drawing	A-104849LE-631	Connection Diagram	A-EE7335-LE



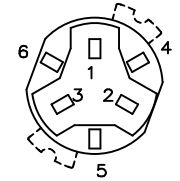
DASH	(C)	(AG)	BS
631	11.97	9.91	4.15
681	12.47	10.41	4.65
731	12.97	10.91	5.15
781	13.47	11.41	5.65
831	13.97	11.91	6.15
881	14.47	12.41	6.65
931	14.97	12.91	7.15
981	15.47	13.41	7.65

		TOLERANCES UNLESS SPECIFIED		 ELECTRIC MOTORS GEARMOTORS AND DRIVES	DRAWN RJW 06-25-2007	
		DEC.	INCHES		CHK	ML 06-25-2007
		.X	±.1		APPD	GK 06-25-2007
		.XX	±.03	TITLE	SCALE	1=2
		.XXX	±.005	OUTLINE - 'C' FACE	REF	
		.XXXX	±.0005	56 FR. - EXP. PR.	FMF	
1	COND. BOX INSTALLED VIEW UPDATED PER ECR-0044571	UD	10/16/13	MAT'L.	PREV	
NO.	REVISION	BY & DATE	CHK	ANG	FINISH	
THIS DRAWING IN DESIGN AND DETAIL IS OUR PROPERTY AND MUST NOT BE USED EXCEPT IN CONNECTION WITH OUR WORK ALL RIGHTS OF DESIGN AND INVENTION ARE RESERVED THIS IS AN ELECTRONICALLY GENERATED DOCUMENT - DO NOT SCALE THIS PRINT				RFP	06-25-2007	CAD FILE 104849LE
				DIST	WP	
					SIZE	DRAWING NO. PAGE OF REV.
					B	104849LE 1

HIGH VOLTAGE CONNECTIONS

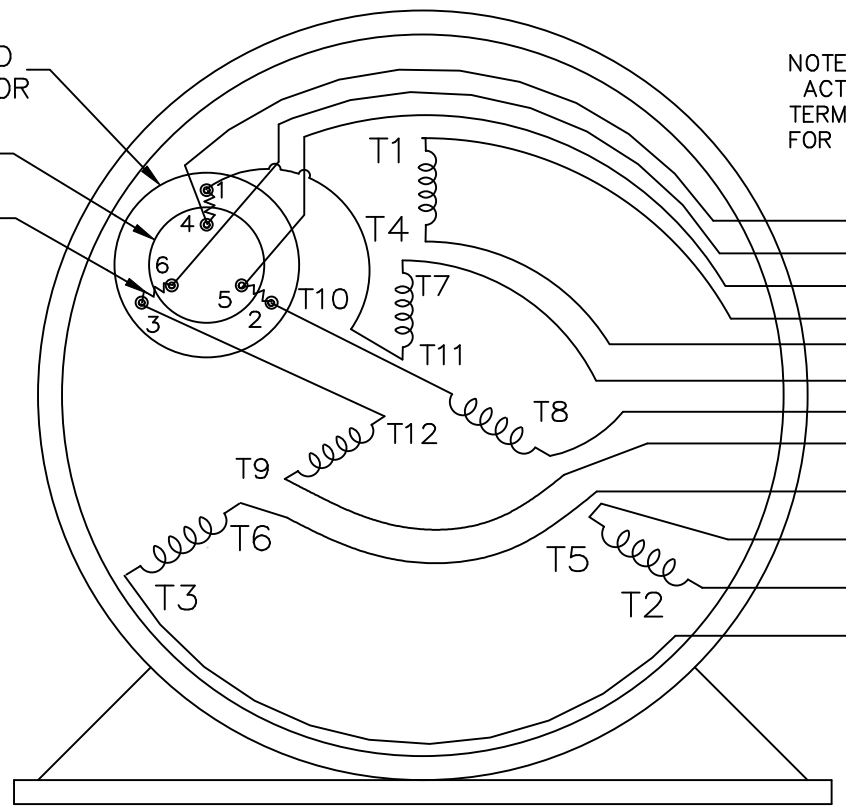


THREE PHASE - DUAL VOLTAGE MOTOR WITH OVERLOAD PROTECTOR



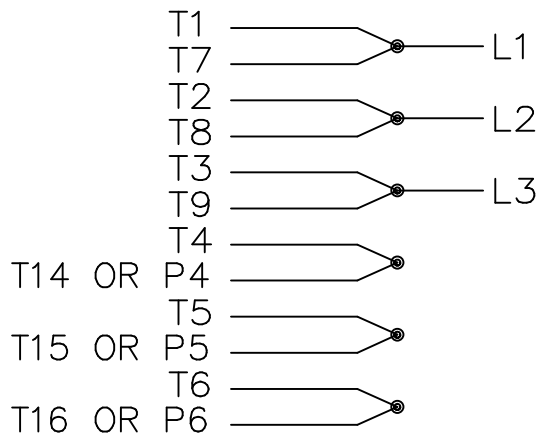
NOTE:
ACTUAL PROTECTORS
TERMINAL LOCATIONS
FOR LEAD CONNECTIONS

OVERLOAD PROTECTOR
DISC
HEATER



T14 OR P4
T16 OR P6
T15 OR P5

LOW VOLTAGE CONNECTIONS



VIEW OF TERMINAL END

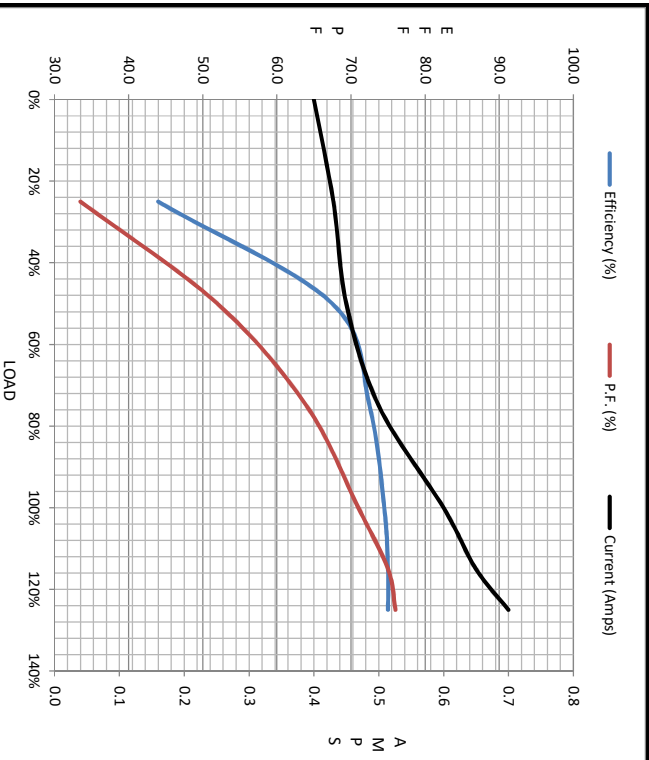
T2K
T4D
T6AN

				TOLERANCES UNLESS SPECIFIED		ELECTRIC MOTORS GEARMOTORS AND DRIVES	DRAWN NJS 04-20-2005			
				DEC.	INCHES		CHK ML 04-20-2005			
				.X	± -		APPD MJS 04-20-2005			
				.XX	± -		SCALE			
				.XXX	± -		REF			
				.XXXX	± -	MAT'L.				
NO.	REVISION	BY & DATE	CHK	ANG	± -	FINISH	PREV			
THIS DRAWING IN DESIGN AND DETAIL IS OUR PROPERTY AND MUST NOT BE USED EXCEPT IN CONNECTION WITH OUR WORK ALL RIGHTS OF DESIGN AND INVENTION ARE RESERVED THIS IS AN ELECTRONICALLY GENERATED DOCUMENT - DO NOT SCALE THIS PRINT				RFP	04-20-2005	CAD FILE EE7335_LE	SIZE A	DRAWING NO. EE7335-LE	PAGE OF	REV.
				DIST	WP					



Motor Load Data						
Load	0%	25%	50%	75%	100%	LR
Current (Amps)	0.40	0.43	0.45	0.50	0.60	3.6
Torque (ft-lb)	0.00	0.20	0.50	0.75	1.00	3.1
RPM	1800	1780	1755	1735	1725	0
Efficiency (%)		44.0	67.5	72.5	74.5	
P.F. (%)	21.0	33.5	52.0	64.0	71.0	72.5

Motor Speed Data						Information Block		
	LR	Pull-Up	BD	Rated	Idle	HP	Sync. RPM	Frame
Speed (RPM)	0	900	1500	1725	1800	0.3	1800	56
Current (Amps)	3.6	3.0	2.40	0.60	0.40			
Torque (ft-lb)	3.1	2.80	3.7	1.00	0.00			
Construction	TTR			TENV				
Voltage	208-230/460#190/380			V				
Frequency	60			Hz				
Design	B			K				
LR Code letter	1.15			65				
Service Factor	CONT			40				
Temp Rise @ FL	1,000			feet				
Duty	0.04			LB-Ft ²				
Ambient	ZT493 TR			62			dB(A)	
Elevation				NONE				
Rotor/Shaft wk ²				A-104849LE-631				
Ref Wdg				A-EE7335-LE				
Sound Pressure @ 1M				0				
VFD Rating				R1			R2	
Outline Dwg				34.5720			24.0800	
Conn. Diag				X1			X2	
Additional Specifications:				36.5500			24.2920	
				Xm			675.9600	
				EQUIV CKT (OHMS / PHASE)				



Parameter	Value
Efficiency (%)	44.0
P.F. (%)	21.0
Current (Amps)	0.40
Speed (RPM)	1800
Current (Amps)	3.6
Torque (ft-lb)	3.1

