

# PRODUCT INFORMATION PACKET



Model No: A6T17XK11C

Catalog No: 114630.00

..3/4HP..1725RPM.56.EPFC.208-

230/460V.3PH.60HZ.CONT.40C.1.0SF.RIGID.A6T17XK11C.....EXPLOSION-PROOF.AUTOMATIC.....

Explosion Proof



Regal and Leeson are trademarks of Regal Beloit Corporation or one of its affiliated companies.

©2018 Regal Beloit Corporation, All Rights Reserved. MC017097E



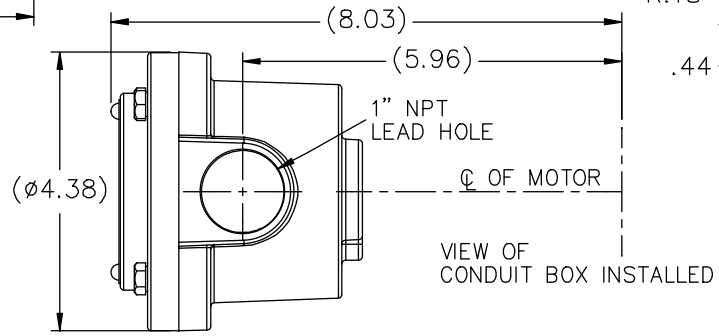
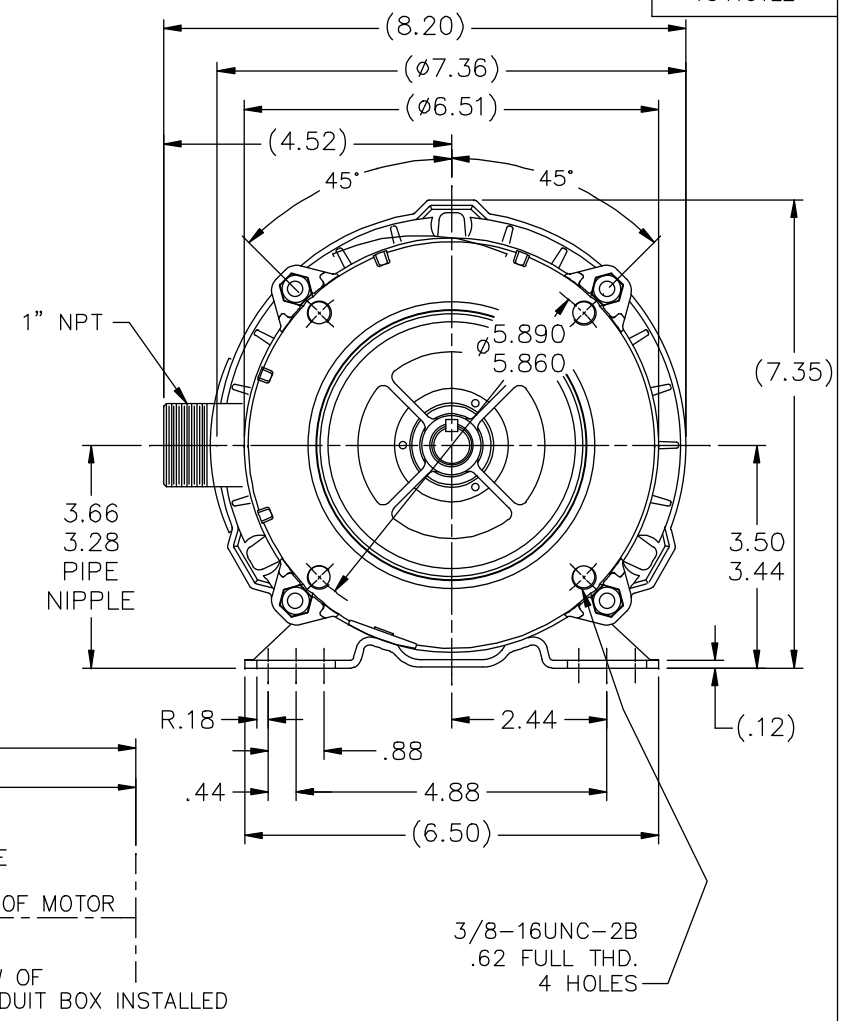
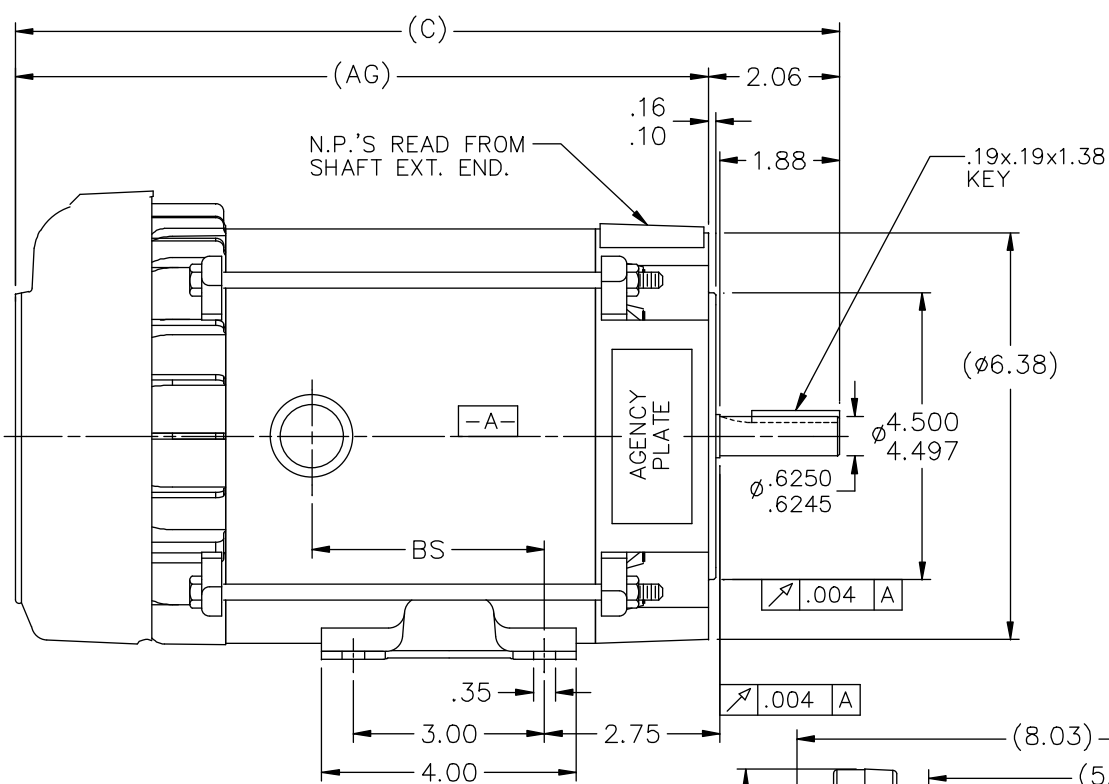


### Nameplate Specifications

Output HP	<b>0.75 Hp</b>	Output KW	<b>0.56 kW</b>
Frequency	<b>60 Hz</b>	Voltage	<b>208-230/460 V</b>
Current	<b>2.9-3.0/1.5 A</b>	Speed	<b>1725 rpm</b>
Service Factor	<b>1</b>	Phase	<b>3</b>
Efficiency	<b>75.5 %</b>	Duty	<b>Continuous</b>
Insulation Class	<b>B</b>	Design Code	<b>B</b>
KVA Code	<b>L</b>	Frame	<b>56C</b>
Enclosure	<b>Explosion Proof Fan cooled</b>	Overload Protector	<b>Automatic</b>
Ambient Temperature	<b>40 °C</b>	Drive End Bearing Size	<b>6203</b>
Opp Drive End Bearing Size	<b>6203</b>	UL	<b>Recognized</b>
CSA	<b>Y</b>	CE	<b>N</b>
IP Code	<b>54</b>		

### Technical Specifications

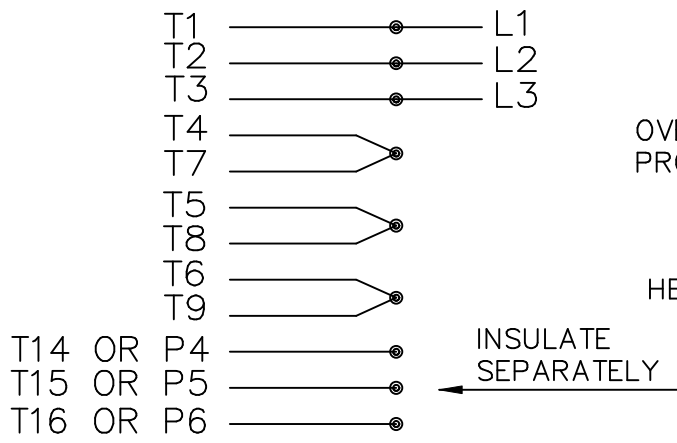
Electrical Type	<b>Squirrel Cage Induction Run</b>	Starting Method	<b>Across The Line</b>
Poles	<b>4</b>	Rotation	<b>Reversible</b>
Mounting	<b>Rigid base</b>	Motor Orientation	<b>HORIZONTAL</b>
Drive End Bearing	<b>BALL</b>	Opp Drive End Bearing	<b>BALL</b>
Frame Material	<b>Rolled Steel</b>	Shaft Type	<b>NEMA 56</b>
Overall Length	<b>13.94 in</b>	Frame Length	<b>6.81 in</b>
Shaft Diameter	<b>0.625 in</b>	Shaft Extension	<b>1.88 in</b>
Assembly/Box Mounting	<b>F1 ONLY</b>		
Outline Drawing	<b>B-104191LE-681</b>	Connection Diagram	<b>A-EE7335-LE</b>



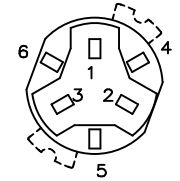
DASH	(C)	(AG)	BS		
631	13.44	11.38	4.15		
681	13.94	11.88	4.65		
731	14.44	12.38	5.15		
781	14.94	12.88	5.65		
831	15.44	13.38	6.15		
881	15.94	13.88	6.65		
931	16.44	14.38	7.15		
981	16.94	14.88	7.65		

		TOLERANCES UNLESS SPECIFIED		LEESON		ELECTRIC MOTORS GEARMOTORS AND DRIVES		DRAWN HLB 05-29-2002		
		DEC.	INCHES					CHK	ML 05-31-2002	
		.X	±.1			TITLE OUTLINE - 'C' FACE		APPD	SAS 05-31-2002	
3	COND. BOX INSTALLED VIEW UPDATED PER ECR-0044571	UD	10/15/13	ST	.XX	±.03	56 FR. - EXP. PR.	SCALE	1=2	
2	REVISED C'BOX PER CN 40784A	JJB	02/26/2007	ML	.XXX	±.005		REF		
1	NEW DRAWING	HLB	05-31-2002		.XXXX	±.0005	MAT'L.	FMF		
NO.	REVISION	BY & DATE	CHK	ANG	FINISH		PREV			
THIS DRAWING IN DESIGN AND DETAIL IS OUR PROPERTY AND MUST NOT BE USED EXCEPT IN CONNECTION WITH OUR WORK ALL RIGHTS OF DESIGN AND INVENTION ARE RESERVED THIS IS AN ELECTRONICALLY GENERATED DOCUMENT - DO NOT SCALE THIS PRINT				RFP	CAD FILE 104191LE		SIZE	DRAWING NO.	PAGE OF	REV.
				DIST	WP		B	104191LE	3	3

HIGH VOLTAGE CONNECTIONS

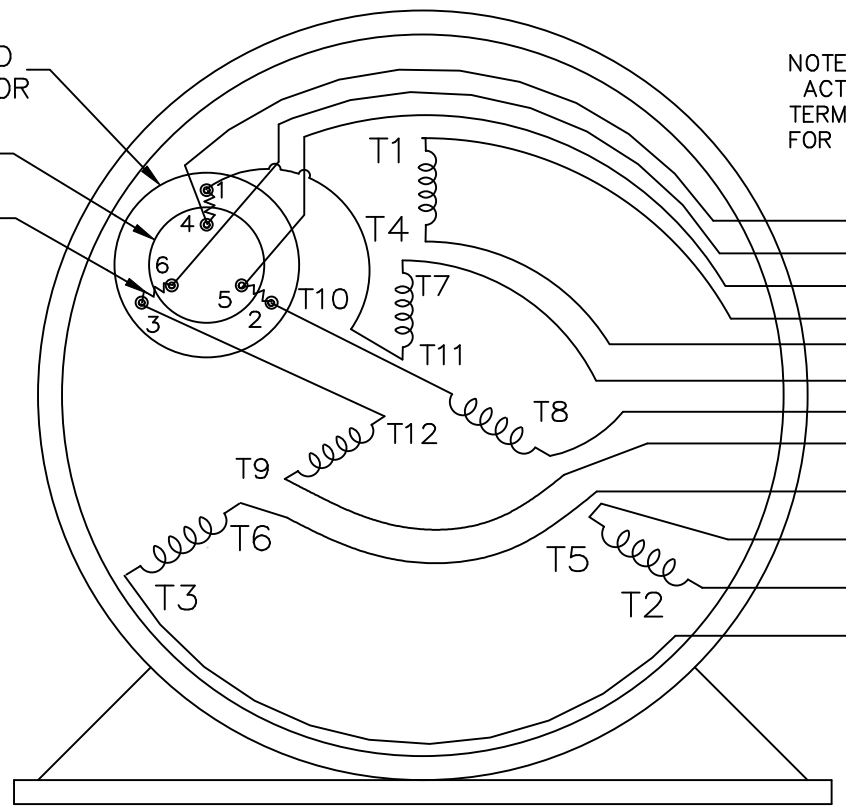


THREE PHASE – DUAL VOLTAGE MOTOR WITH OVERLOAD PROTECTOR



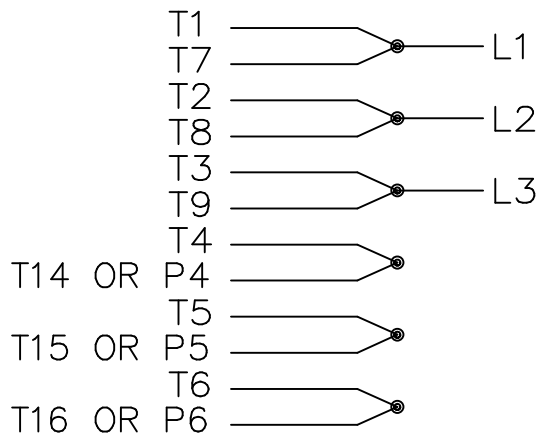
NOTE:  
 ACTUAL PROTECTORS  
 TERMINAL LOCATIONS  
 FOR LEAD CONNECTIONS

OVERLOAD PROTECTOR  
 DISC  
 HEATER



T14 OR P4  
 T16 OR P6  
 T15 OR P5  
 T1  
 T4  
 T7  
 T8  
 T9  
 T6  
 T5  
 T2  
 T3

LOW VOLTAGE CONNECTIONS



VIEW OF TERMINAL END

T2K  
 T4D  
 T6AN

				TOLERANCES UNLESS SPECIFIED		ELECTRIC MOTORS GEARMOTORS AND DRIVES	DRAWN NJS 04-20-2005					
				DEC.	INCHES		CHK ML 04-20-2005					
				.X	± -		APPD MJS 04-20-2005					
				.XX	± -		SCALE					
				.XXX	± -		REF					
				.XXXX	± -	MAT'L.						
				ANG	± -	FINISH						
NO.	REVISION	BY & DATE	CHK	ANG	± -	FINISH		PREV				
THIS DRAWING IN DESIGN AND DETAIL IS OUR PROPERTY AND MUST NOT BE USED EXCEPT IN CONNECTION WITH OUR WORK ALL RIGHTS OF DESIGN AND INVENTION ARE RESERVED THIS IS AN ELECTRONICALLY GENERATED DOCUMENT - DO NOT SCALE THIS PRINT				RFP	04-20-2005	CAD FILE EE7335_LE		SIZE	DRAWING NO.	PAGE	OF	REV.
				DIST	WP			A	EE7335-LE			



