

PRODUCT INFORMATION PACKET



Model No: AF4P10T61Q40
Catalog No: LM21199
10,1800,TEFC,215T,3/60/230/460
4:1 Speed Ratio



Regal and Leeson are trademarks of Regal Beloit Corporation or one of its affiliated companies.
©2018 Regal Beloit Corporation, All Rights Reserved. MC017097E





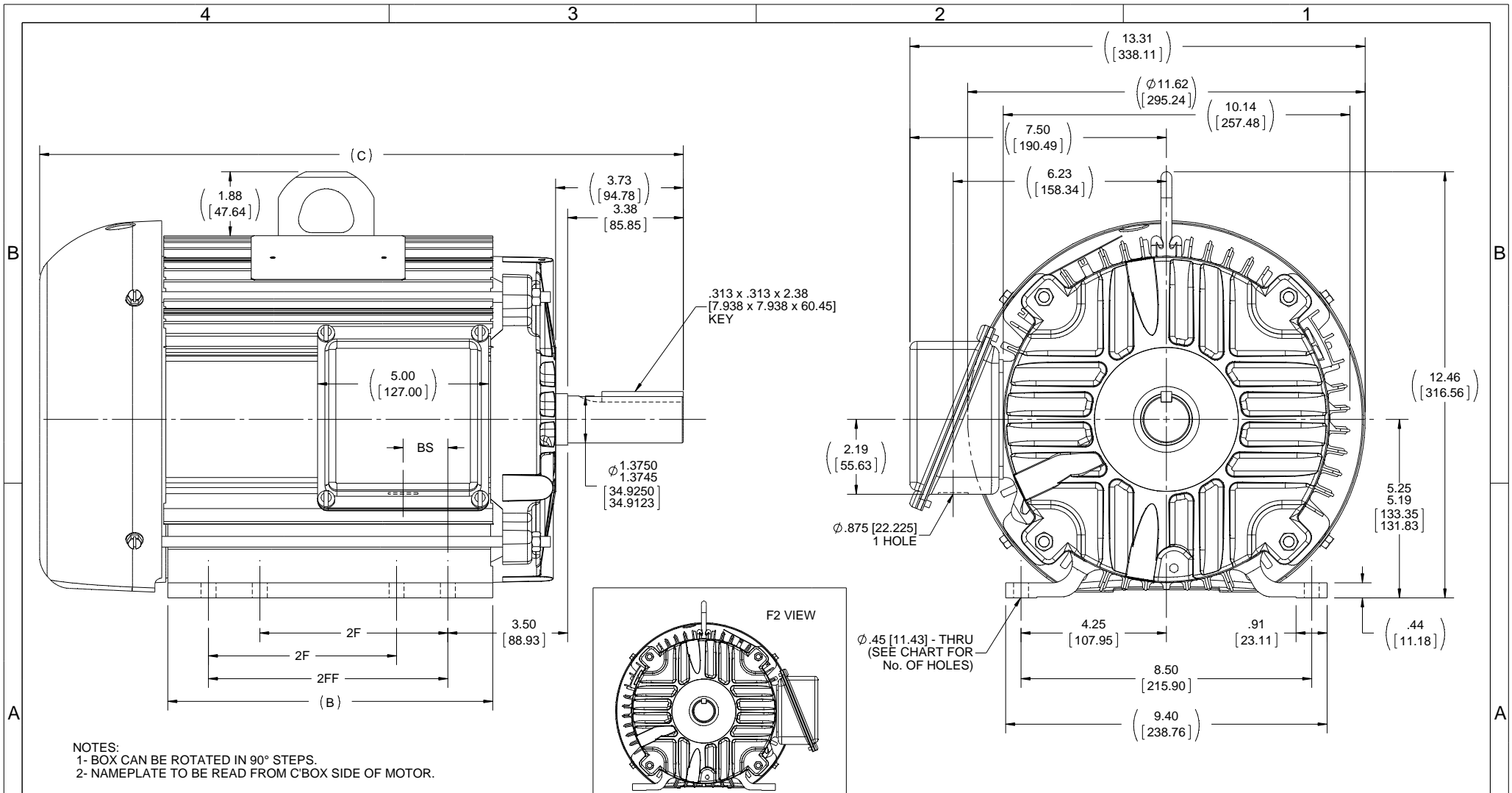
Nameplate Specifications

Output HP	10 Hp	Output KW	7.5 kW
Frequency	60 Hz	Voltage	230/460 V
Current	25.4/12.7 A	Speed	1755 rpm
Service Factor	1.15	Phase	3
Efficiency	90.2 %	Duty	Continuous
Insulation Class	F	Design Code	INV
KVA Code	G	Frame	215T
Enclosure	Totally Enclosed Fan Cooled	Overload Protector	No
Ambient Temperature	40 °C	Drive End Bearing Size	6208
Opp Drive End Bearing Size	6206	UL	No
CSA	Y	CE	Y
IP Code	43		

Technical Specifications

Electrical Type	Squirrel Cage Inverter Duty	Starting Method	Inverter Only
Poles	4	Rotation	Reversible
Mounting	Rigid base	Motor Orientation	HORIZONTAL
Drive End Bearing	BALL	Opp Drive End Bearing	BALL
Frame Material	Aluminum	Shaft Type	T
Overall Length	18.84 in	Frame Length	9.50 in
Shaft Diameter	1.375 in	Shaft Extension	3.38 in
Assembly/Box Mounting	F1/F2 CAPABLE		
Outline Drawing	B-SS330100LN-950	Connection Diagram	A-EE7308T-LN

This is an uncontrolled document once printed or downloaded and is subject to change without notice. Date Created: 10/15/2018



NOTES:
 1- BOX CAN BE ROTATED IN 90° STEPS.
 2- NAMEPLATE TO BE READ FROM C'BOX SIDE OF MOTOR.

DASH	FRAME	B	C	2F	2FF	BS	F1/F2	No. OF MTG HOLES
800	213T	8.12 [206.25]	17.34 [440.44]	5.50 [139.70]	---	1.33 [33.76]	NO	4
950	213/5T	9.62 [244.35]	18.84 [478.54]	5.50 [139.70]	7.00 [177.80]	1.33 [33.76]	YES	8
1050	215T	10.62 [269.75]	19.84 [503.94]	7.00 [177.80]	8.00 [203.20]	1.33 [33.76]	YES	8

DRAWING REVISION	REVISION BY	DATE
E	JHA	04-13-2015
ECO	DJK	04-14-2015

ECO-0073312
 ECO DESCRIPTION
UPDATED TO CURRENT STANDARDS
 COPYRIGHT REGAL BELOIT AMERICA, INC. ALL RIGHTS RESERVED.
 PROPRIETARY AND CONFIDENTIAL INFORMATION - THIS DOCUMENT IS THE PROPERTY OF REGAL BELOIT AMERICA, INC. (OWNER) AND CONTAINS OWNERS PROPRIETARY INFORMATION. ANY PERSON, CORPORATION OR OTHER FIRM RECEIVING IT IS DEEMED, BY RECEIVING IT, TO AGREE THAT IT, AND/OR ANY PART OF IT, SHALL NOT BE DISCLOSED TO ANY PERSON, CORPORATION OR OTHER ENTITY, DUPLICATED, AND/OR USED, EXCEPT AS EXPRESSLY APPROVED IN WRITING IN ADVANCE BY OWNER. THIS DOCUMENT SHALL BE RETURNED TO OWNER UPON REQUEST. IT MAY BE SUBJECT TO CERTAIN RESTRICTIONS UNDER APPLICABLE EXPORT CONTROL LAWS AND REGULATIONS.

DEC.	INCH	mm	ANGLE
.X	+0.1	[+2.5]	±7 30°
.XX	+0.03	[+0.76]	
.XXX	+0.005	[+0.127]	
.XXXX	+0.0005	[+0.0127]	

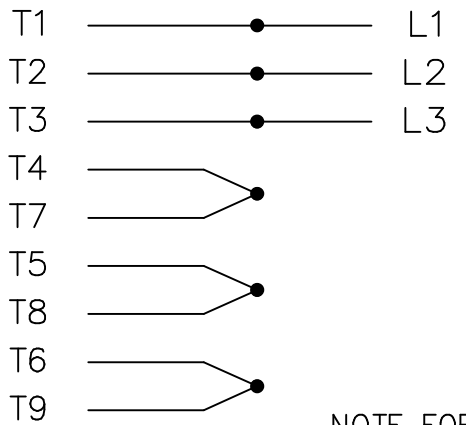
REMOVE BURRS & BREAK SHARP EDGES: .003/.015 [.076/.381] X 45°
 CORNER FILLETS: R.02 [.51]
 MACHINED SURFACES: 200 INCH 5.1 mm

DATE	APPROVED BY
04-20-2004	MJK
04-20-2004	JPL

REGAL ™ Regal Beloit America, Inc.	
DESCRIPTION	OUTLINE 210T FR - ALUM FR - TEFC
MATERIAL	PROCESS/FINISH
THIRD ANGLE PROJECTION	SIZE B
DRAWING NUMBER	SHEET 1 OF 1
SS330100LN	

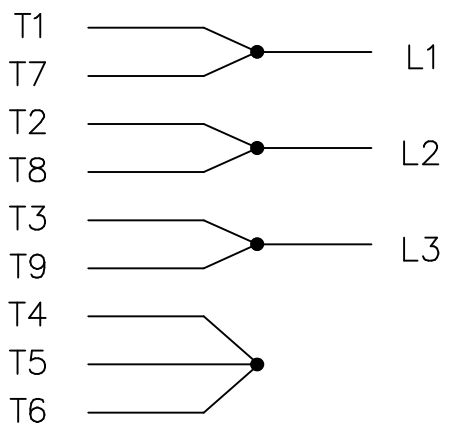
THREE PHASE
DUAL VOLTAGE MOTOR

HIGH VOLTAGE

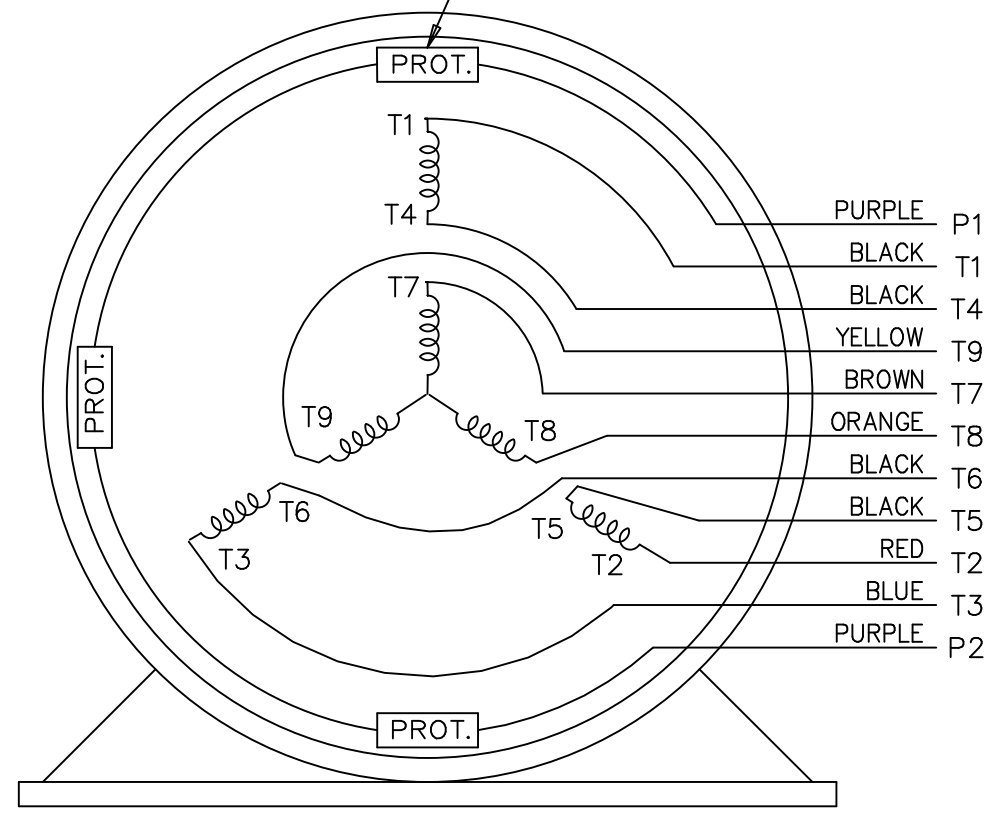


NOTE FOR FACTORY USE ONLY:
TO SURGE TEST FOR COMMON CONNECT:
HIGH VOLT: CONNECT P1 TO T1
THEN P2 TO L1
LOW VOLT: CONNECT P1 TO T1 & T7,
THEN P2 TO L1

LOW VOLTAGE



THREMO-PROTECTORS
CONNECTED IN SERIES.



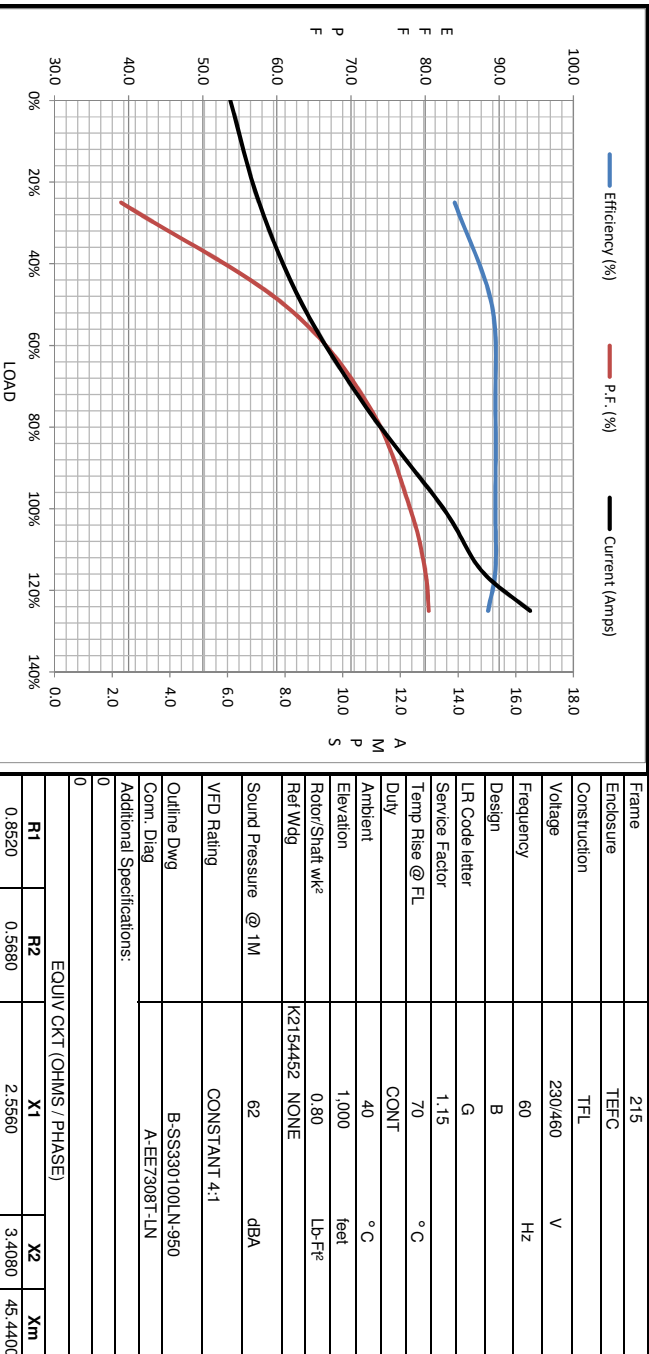
VIEW OF TERMINAL END

				TOLERANCES UNLESS SPECIFIED			DRAWN BJK 07-16-2002						
				DEC.	INCHES		CHK DRS 07-18-2002						
				.X	±.1		APPD GK 07-18-2002						
					.XX	±.02	SCALE 1=1						
2	ADDED COLORS TO "T & P" LEADS	CN 40494	MSG 08-08-2006	ML	.XXX	±.005	TITLE CONNECTION DIAGRAM 3 PHASE - DUAL VOLTAGE MOTOR						
1	NEW DRAWING		BJK 07-18-2002	DRS	.XXXX	±.0005	MAT'L.						
NO.	REVISION		BY & DATE	CHK	ANG	±7'30"	FINISH						
THIS DRAWING IN DESIGN AND DETAIL IS OUR PROPERTY AND MUST NOT BE USED EXCEPT IN CONNECTION WITH OUR WORK ALL RIGHTS OF DESIGN AND INVENTION ARE RESERVED THIS IS AN ELECTRONICALLY GENERATED DOCUMENT - DO NOT SCALE THIS PRINT				RFP	CAD FILE ee7308t_ln			SIZE	DRAWING NO.	PAGE	OF	REV.	
				DIST	LB				A	EE7308T-LN			2



Motor Load Data								
Load	0%	25%	50%	75%	100%	115%	125%	LR
Current (Amps)	6.1	7.1	8.6	10.8	13.5	14.8	16.5	81.0
Torque (ft-lb)	0.00	7.4	14.8	22.5	30.0	34.5	37.5	67.0
RPM	1800	1775	1765	1755	1745	1,740	1735	0
P.F. (%)	5.9	84.0	89.0	89.5	89.5	89.5	88.5	80.5
		39.0	61.0	72.5	78.0	80.0	80.5	45.0

Motor Speed Data						Information Block																					
LR	Pull-Up	BD	Rated	Idle		HP	Sync. RPM	Frame	Enclosure	Construction	Voltage	Frequency	Design	LR Code letter	Service Factor	Temp Rise @ FL	Duty	Ambient	Elevation	Rotor/Shaft wk ²	Ref Wdg	Sound Pressure @ 1M	VFD Rating	Outline Dwg	Conn. Diag	Additional Specifications:	
0	750	1550	1745	1800		10.0	1800	215	TEFC	TFL	230/460	60	B	G	1.15	70	CONT	40	1,000	0.80	NONE	62	CONSTANT 4:1	B-SS330100LN-950	A-EE7308T-LN		
Current (Amps)	81.0	73.0	47.5	13.5	6.1																						
Torque (ft-lb)	67.0	60.3	81.0	30.0	0.00																						



R1	R2	X1	X2	Xm
0.8520	0.5680	2.3580	3.4080	45.4400

EQUIV CKT (OHMS / PHASE)

