

BALDOR® • RELIANCE

Product Information Packet

BSM100C-1150AA

BSM100C-1150AA T'STAT, RESOLVER

Specs			
Enclosure:	TENV		
Nameplate Speed:	2400		
Agency Approvals:	CE		
	CSA		
	TUV		
	UR		
	WEEE		
Base Indicator:	Bracket Mounted		
Dimensional Drawing Numbers:	S4LYP124		
Frame:	D165D		

Copyright © All product informati

Frame Material:	Exposed Laminations		
Motor Lead Quantity/Wire Size:	3 @ 14 AWG		
Mounting Arrangement:	F1		
Nameplate Output:	1.04KW		
Shaft Rotation:	Reversible		
Motor Standards:	IEC		

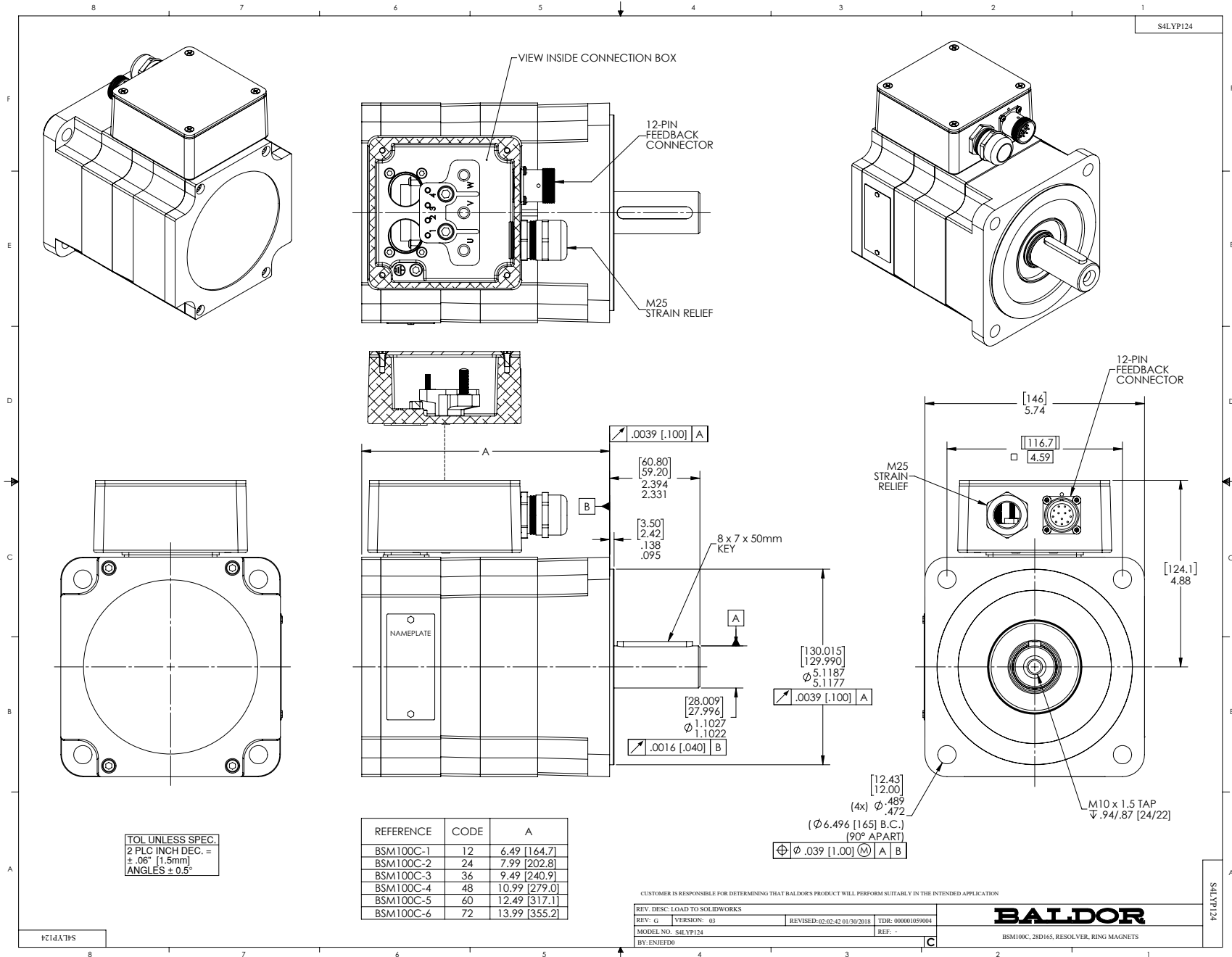
Nameplate NP2863L	
CAT.NO.	BSM100C-1150AA
BLANK	
SPEC.	S4P124W101
MFG.NO.	
TORQ CONT STALL	5 NM
CUR CONT STALL/A RMS	4.01
POWER	1.04KW
RATED SPEED/RPM	2400
RATED BUS VOLTS	300
PEAK CUR/A RMS	10.2
MAX SPEED/RPM	7000
CLASS	F
APRV-CE	
AMB.	25

Parts List		
Part Number	Description	Quantity
SA110228	SA S4P124W101	1.000 EA
RA101652	RA S4P124W101	1.000 EA
WD1000D140	TRM,T&B #B71,RING,18-14,.25,NON-INSL	3.000 EA
RM1020A05	O-RING, -160 BUNA-N, .103 CS X 5.237 ID	1.000 EA
HW5002A91	N5002-244 BELVELED RET RING 62 MM F/206	1.000 EA
HW2512A108	SHAFT KEY CL 8MM X 7MM X 50MM	1.000 EA
HW5111A01	WASHER, WAVE SPRING 1.875 BORE SMALLEY S	2.000 EA
HA2113A03	TOLERANCE RING 8MM X 7MM TYPE BN8X7C	1.000 EA
84YN0050J035	M5 X 0.8 X 035MM LG SHCS	4.000 EA
HW1021A05	LOCKWASHER 5 MM	4.000 EA
RM1020A05	O-RING, -160 BUNA-N, .103 CS X 5.237 ID	1.000 EA
HA7013	CLAMP, RESOLVER, PLASTIC "C-SHAPE"	1.000 EA
62YW0025A007	EPOXY LOCK SCREW,M2.5X7 TORX PAN HD TAPT	3.000 EA
MH4006A21	HEAT SHRINK TUBING 0.12 ID BLACK	0.708 FT
84YN0050J012	M5 X 0.8 X 12MM LG SHCS	4.000 EA
WD1000D84	TERMINAL, NON-INS RING, 22-18 GA, BULK P	2.000 EA
99XM0356A02	STICK SCREW, #3-56 X .125 LG. HEX (MARK	2.000 EA
MG2000A17	RUST INHIBITOR PART # SRPO #20	0.001 GA
BG6206C03	6206 D.SH,C3,POLYREX EM	1.000 EA
S4EP3006A01	ENDPLATE, FR, BSM100, RESOLVER/HALL	1.000 EA
RF0001	RESOLVER, BRUSHLESS, 1 SPEED, 1.4165 DIA	1.000 EA
CB0004D01	COVER, FEEDBACK, NO LOGO, COOL GRAY	1.000 EA
S4CB5001A40	TERM BOX ASSY BSM90-100 M25 TAP, 12P M23	1.000 EA
MG1025L02	WILKOFASST, 776.06 TEXTURE (BSM) BLACK	0.004 QT

Parts List (continued)		
Part Number	Description	Quantity
MG1025Z09	CATALYST #060.06 WILCO	0.004 QT
MG1500Y08	PRIMER-WILKOPON (603.08A)YELLOW PRIMER W	0.004 QT
MG1025Z08	WILKO 603.08B PRIMER REDUCER TDR# 72361	0.004 QT
84YN0050J060	M5 X0.8 X 060MM LG SHCS	4.000 EA
NP2863L	NAMEPLATE BSM90/100 ALUM, LASER ETCHED	1.000 EA
PK3083T	STYROFOAM PACKING CRADLE	1.000 EA
35PA1007	PKG GRP, PRINT PK1034A06	1.000 EA
LB1534	MYLAR CE WARNING LABEL FOR SERVO MOTORS	1.000 EA
PK3088	MICROFOAM, 8"X"8 PERF. SHEETS 5,400/RL	1.000 EA
LB1594	MYLAR WEEE WHEELIE BIN SYMBOL FOR CE MOT	1.000 EA

Accessories		
Part Number	Description	Multiplier
GBSM100-MRP120-3	Std. Servo Gearbox Ratio 3:1	E4
GBSM100-MRP120-5	Std. Servo Gearbox Ratio 5:1	E4
GBSM100-MRP155-10	Std. Servo Gearbox Ratio 10:1	E4

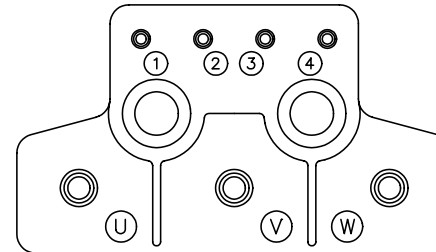
No performance data has been
assigned to this product.



CD1404

MOTOR CONNECTIONS

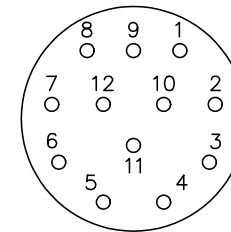
TERMINAL LABEL	FUNCTION	INTERNAL WIRE MARKING
1	THERMAL SWITCH	YELLOW
2	THERMAL SWITCH	YELLOW
3	BRAKE (OPTIONAL)	BLACK
4	BRAKE (OPTIONAL)	BLACK
⊥	GROUND	-----
U	PHASE U	T1
V	PHASE V	T2
W	PHASE W	T3



RESOLVER CONNECTIONS

PIN	FUNCTION	INTERNAL WIRE COLOR
1	REF HI R1	RED/WHITE
2	REF LO R2	YELLOW/WHITE
3	COS+ S1	RED
4	COS- S3	BLACK
5	SINE+ S2	BLUE
6	SINE- S4	YELLOW

12 PIN THREADED CONNECTOR (INSERTION SIDE)



NOTE:

IF NO FEEDBACK, OMIT RESOLVER CONNECTIONS.

REV. DESC: ADDED WS TO PLT CODE

REV. LTR: A BY: DH

REVISED: 10/31/00 4:15

TDR: 0220616

CD1404

FILE: AAA00065150

REF: -

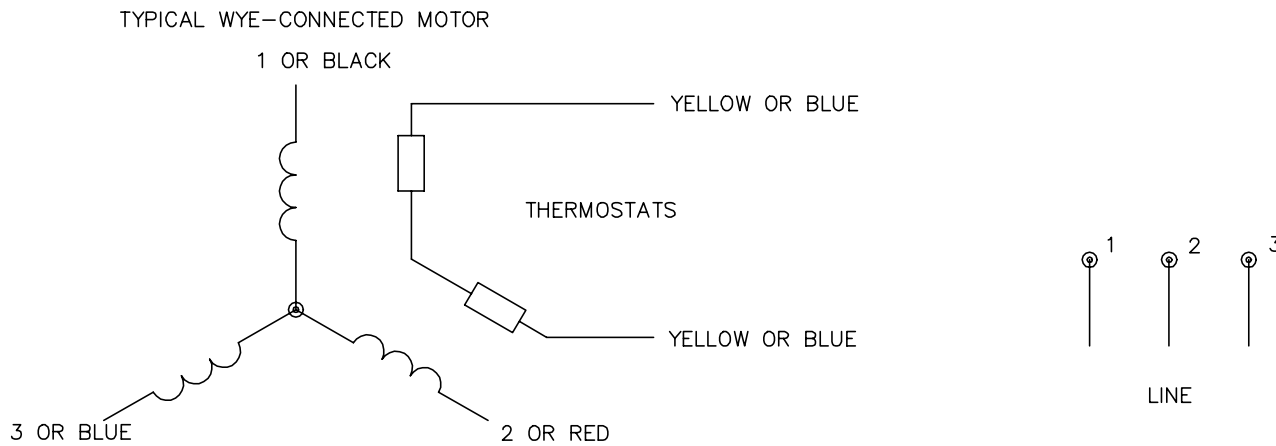
MTL: -

BALDOR ELECTRIC Co.

CONN. DIAG. - BSM, RESOLVER, BRAKE, TERMINAL BLOCK, 12 PIN CONN

CD1404

CD0006A02



NOTES:

1. INTERCHANGE ANY TWO LINE LEADS TO REVERSE ROTATION.
2. ACTUAL NUMBER OF INTERNAL PARALLEL CIRCUITS MAY VARY.

REV. DESC: REMOVED "OPTIONAL" FROM PRINT, SERVO REQ'S T'STATS			
REV. LTR: D	VERSION: 03	TDR: 000000414937	
Z0V9000003 CD0006A02	FILE: \AAA\00068\606	REVISED: 10:02:28 11/21/2006	
	MTL: -	BY: ENJFD0	

BALDOR ELECTRIC Co.

3PH, SV, 3 LEADS, WYE CONNECTED

CD0006A02