

BALDOR® • RELIANCE

Product Information Packet

BSM100N-2150AF

BSM100N-2150AF T'STAT ENCODER

Specs			
Enclosure:	TENV		
Nameplate Speed:	2000		
Agency Approvals:	CE		
	CSA		
	TUV		
	UR		
	WEEE		
Base Indicator:	Bracket Mounted		
Dimensional Drawing Numbers:	S4LYP064		
Frame:	D165D		

Copyright © All product informati

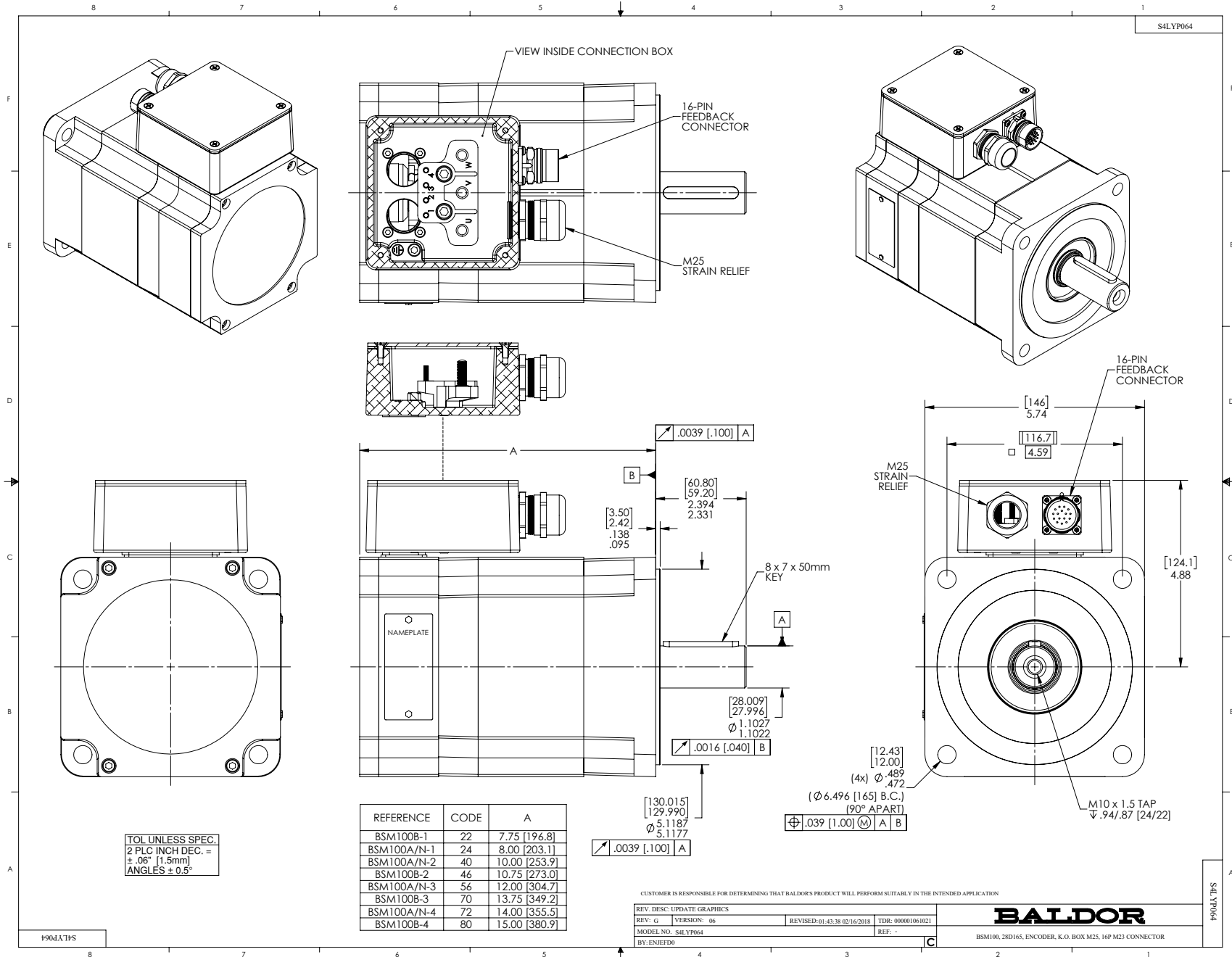
Frame Material:	Exposed Laminations		
Motor Lead Quantity/Wire Size:	3 @ 12 AWG		
Mounting Arrangement:	F1		
Nameplate Output:	3.57KW		
Shaft Rotation:	Reversible		
Motor Standards:	IEC		

Nameplate NP2863L	
CAT.NO.	BSM100N-2150AF
BLANK	
SPEC.	S4P064W056G1
MFG.NO.	
TORQ CONT STALL	23 NM
CUR CONT STALL/A RMS	15.5
POWER	3.57KW
RATED SPEED/RPM	2000
RATED BUS VOLTS	300
PEAK CUR/A RMS	55.8
MAX SPEED/RPM	4000
CLASS	F
APRV-CE	
AMB.	25

Parts List		
Part Number	Description	Quantity
SA131987	SA S4P064W056G1	1.000 EA
RA121956	RA S4P064W056G1	1.000 EA
WD1000D22	T&B C71, NON-INSL TERM.(12-10 GA)1/4 RING	3.000 EA
RM1020A05	O-RING, -160 BUNA-N, .103 CS X 5.237 ID	1.000 EA
84YN0030JE006	SHCS 3MM X 6MM CARBON STEEL W/EPOXY LOCK	2.000 EA
HW1020A03	WASHER, FLAT 3MM	2.000 EA
HW1021A03	WASHER, M3 SPLIT LOCK	2.000 EA
HW5002A91	N5002-244 BELVELED RET RING 62 MM F/206	1.000 EA
HW2512A108	SHAFT KEY CL 8MM X 7MM X 50MM	1.000 EA
HW5111A01	WASHER, WAVE SPRING 1.875 BORE SMALLEY S	2.000 EA
S4EP3006A11	BSM100 FR EP TAMAGAWA ENC. MTG.	1.000 EA
84YN0050J035	M5 X 0.8 X 035MM LG SHCS	4.000 EA
HW1021A05	LOCKWASHER 5 MM	4.000 EA
RM1020A05	O-RING, -160 BUNA-N, .103 CS X 5.237 ID	1.000 EA
84YN0050J012	M5 X 0.8 X 12MM LG SHCS	4.000 EA
WD1000D84	TERMINAL, NON-INS RING, 22-18 GA, BULK P	2.000 EA
99XM0356A02	STICK SCREW, #3-56 X .125 LG. HEX (MARK	2.000 EA
MJ5004A02	P-2 FRANKLIN RESIN KIT	0.002 GA
MJ5004A03	S-C FRANKLIN ACTIVATOR	0.001 QT
MJ5004A27	RP 4005 RESIN, FOR ROTOR FIBERGLASS WIND	0.002 EA
MJ5004A28	REN 1500H HARDENER, FOR ROTOR FIBERGLASS	0.004 GA
ME3001A02	449S2 FIBERGLASS 20 END ROVING AA-750	0.020 LB
MG2000A17	RUST INHIBITOR PART # SRPO #20	0.001 GA
BG6206E03	6206 D.SL,C3,POLYREX EM	1.000 EA

Parts List (continued)		
Part Number	Description	Quantity
CB0004D01	COVER, FEEDBACK, NO LOGO, COOL GRAY	1.000 EA
S4CB5001A41EPC	TERM BOX ASSY BSM90-100 M25 TAP WITH	1.000 EA
MG1025L02	WILKOFASST, 776.06 TEXTURE (BSM) BLACK	0.004 QT
MG1025Z09	CATALYST #060.06 WILCO	0.004 QT
MG1500Y08	PRIMER-WILKOPON (603.08A)YELLOW PRIMER W	0.004 QT
MG1025Z08	WILKO 603.08B PRIMER REDUCER TDR# 72361	0.004 QT
OE0323A03	ENCODER, EPC, 2500L,8 POLE, 40MM BC, CE	1.000 EA
NP2863L	NAMEPLATE BSM90/100 ALUM, LASER ETCHED	1.000 EA
35PA1007	PKG GRP, PRINT PK1034A06	1.000 EA
PK3083T	STYROFOAM PACKING CRADLE	2.000 EA
LB1534	MYLAR CE WARNING LABEL FOR SERVO MOTORS	1.000 EA
PK3088	MICROFOAM, 8"X"8 PERF. SHEETS 5,400/RL	2.000 EA
LB1594	MYLAR WEEE WHEELIE BIN SYMBOL FOR CE MOT	1.000 EA

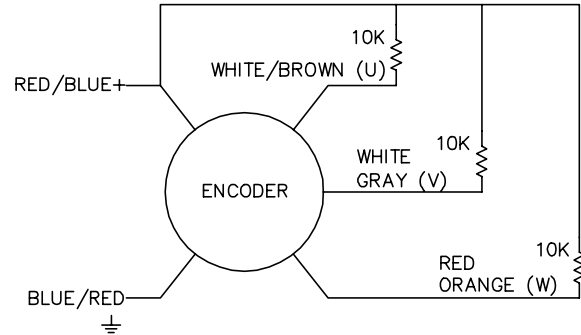
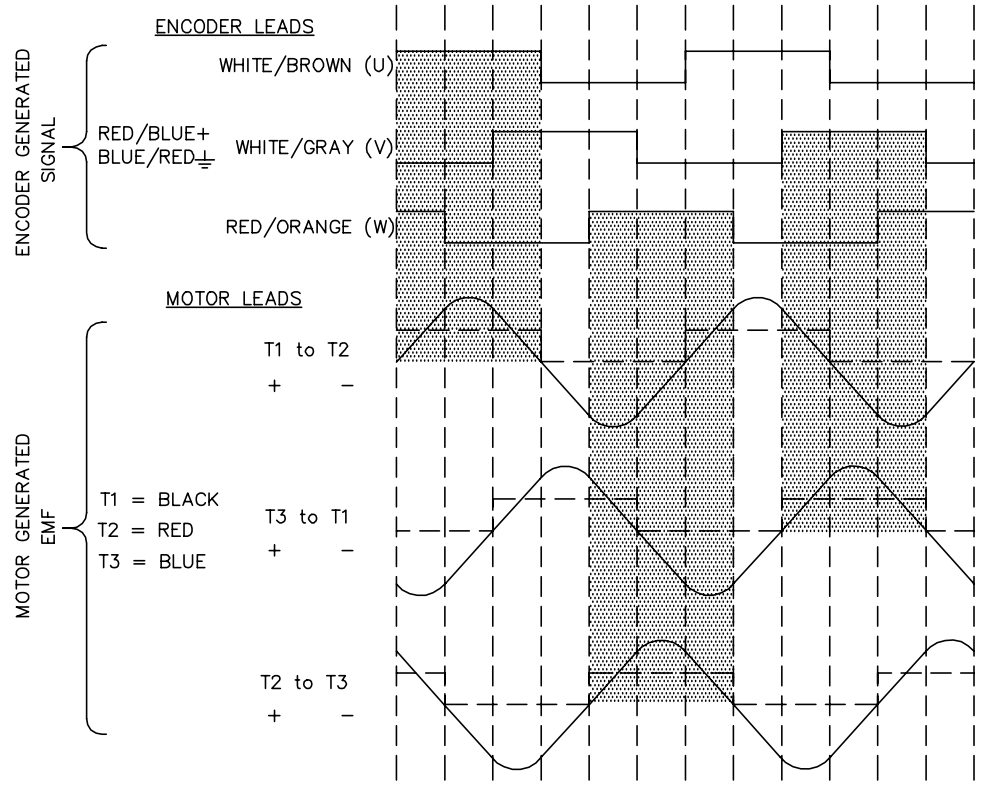
No performance data has been
assigned to this product.



CD1338A01

BRUSHLESS D.C. COMMUTATION

8 POLE MECHANICAL DEGREES	0	15	30	45	60	75	90	105	120	135	150	165	180
4 POLE MECHANICAL DEGREES	0	30	60	90	120	150	180	210	240	270	300	330	360
ELECTRICAL DEGREES	0	60	120	180	240	300	360	420	480	540	600	660	720



NOTE:
CCW ROTATION VIEWING
MOTOR SHAFT END

REV. DESC: NEW		REVISED: 11:22:25 03/24/2004		TDR: 328266
REV. LTR: -	BY: FN	FILE: AAA00115153	REF: CD1338A01	
CD1338A01		MTL: -		

BALDOR ELECTRIC Co.

BLDC COMMUTATION KOYO ENC.(CHANNELS TO MATCH TMGW/SUMTAK)

CD1338A01

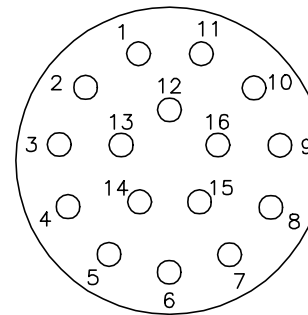
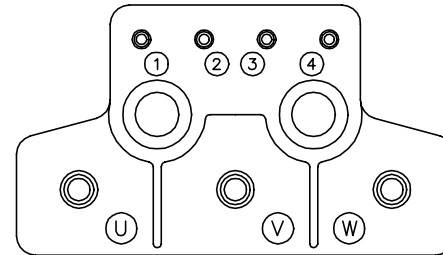
CD1388A02

MOTOR CONNECTIONS

TERMINAL LABEL	FUNCTION	INTERNAL WIRE MARKING
1	THERMAL SWITCH	YELLOW
2	THERMAL SWITCH	YELLOW
3	*BRAKE	BLACK
4	*BRAKE	BLACK
⏏	GROUND	-----
U	PHASE U	BLACK OR T1
V	PHASE V	RED OR T2
W	PHASE W	BLUE OR T3

* WHEN REQUIRED

PIN	FUNCTION	WIRE COLOR
1	DC+5V	RED/BLUE
2	GROUND	BLUE/RED
3	CHANNEL A	BLUE
4	CHANNEL \bar{A}	ORANGE
5	CHANNEL B	GREEN
6	CHANNEL \bar{B}	BROWN
7	CHANNEL Z	BLACK
8	CHANNEL \bar{Z}	YELLOW
9	OPEN	---
10	CHANNEL U	WHITE/BROWN
11	CHANNEL \bar{U}	BROWN/WHITE
12	CHANNEL V	WHITE/GRAY
13	CHANNEL \bar{V}	GRAY/WHITE
14	CHANNEL W	RED/ORANGE
15	CHANNEL \bar{W}	ORANGE/RED
16	OPEN	---



16 PIN CONNECTOR
THREADED CRIMP PIN STYLE

16- #20 CONTACT SIZE
(CRIMP SIDE)

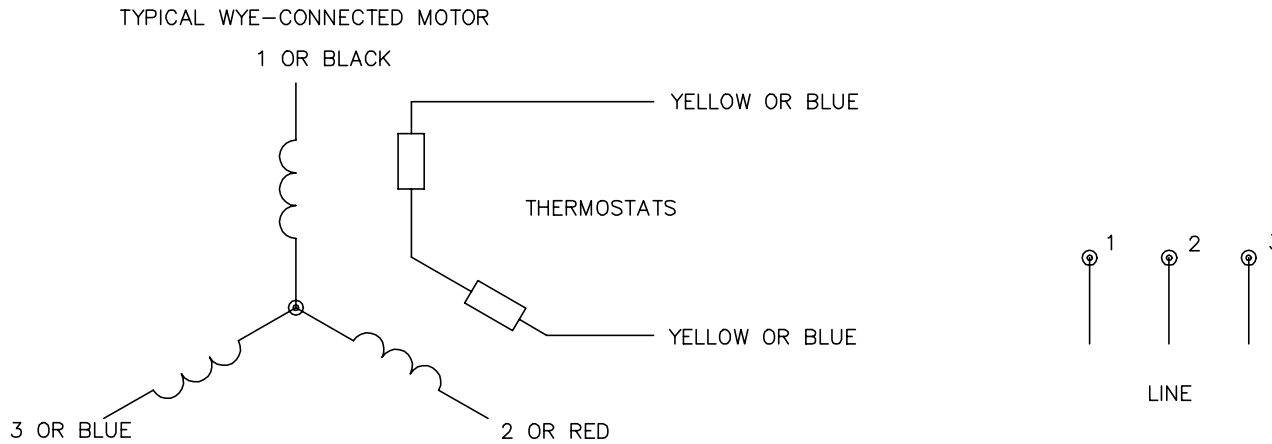
CD1388A02

REV. DESC: NEW			
REV. LTR: -	BY: FN	REVISED: 10:20:15 03/25/2004	TDR: 328341
CD1388A02		FILE: AAA00115200	REF: CD1388A02
		MTL: -	

BALDOR ELECTRIC Co.

CONN DIAG KOYO ENCODER C/T, K.O. BOX & 16 PIN CONNECTOR

CD0006A02



NOTES:

1. INTERCHANGE ANY TWO LINE LEADS TO REVERSE ROTATION.
2. ACTUAL NUMBER OF INTERNAL PARALLEL CIRCUITS MAY VARY.

REV. DESC: REMOVED "OPTIONAL" FROM PRINT, SERVO REQ'S T'STATS			
REV. LTR: D	VERSION: 03	TDR: 000000414937	
Z0V900000	FILE: \AAA\00068\606	REVISED: 10:02:28 11/21/2006	
	MTL: -	BY: ENJFD0	

BALDOR ELECTRIC Co.

3PH, SV, 3 LEADS, WYE CONNECTED

CD0006A02