

# BALDOR® • RELIANCE

## Product Information Packet

# BSM132C-6200AF

BSM132C-6200AF T'STAT, ENCODER

Specs			
Enclosure:	TENV		
Nameplate Speed:	3500		
Base Indicator:	Bracket Mounted		
Dimensional Drawing Numbers:	S8LYP001		
Frame:	D132D		
Motor Lead Quantity/Wire Size:	3 @ 8 AWG		
Mounting Arrangement:	F1		
Nameplate Output:	9.8KW		
Shaft Rotation:	Reversible		
Motor Standards:	IEC		

<b>Nameplate NP3306L</b>	
<b>CAT.NO.</b>	BSM132C-6200AF
<b>SPEC.</b>	S8P001W019
<b>MFG.NO.</b>	
<b>TORQ CONT STALL</b>	105 NM
<b>CUR CONT STALL/A RMS</b>	67
<b>POWER</b>	9.8KW
<b>RATED SPEED/RPM</b>	3500
<b>RATED BUS VOLTS</b>	650
<b>MAX SPEED/RPM</b>	5000
<b>PEAK CUR/A RMS</b>	160
<b>MAXIMUM POWER/KW</b>	9.8KW
<b>TORQ PEAK STALL/NM</b>	315
<b>TORQ CONSTANT-NM/A</b>	1.565

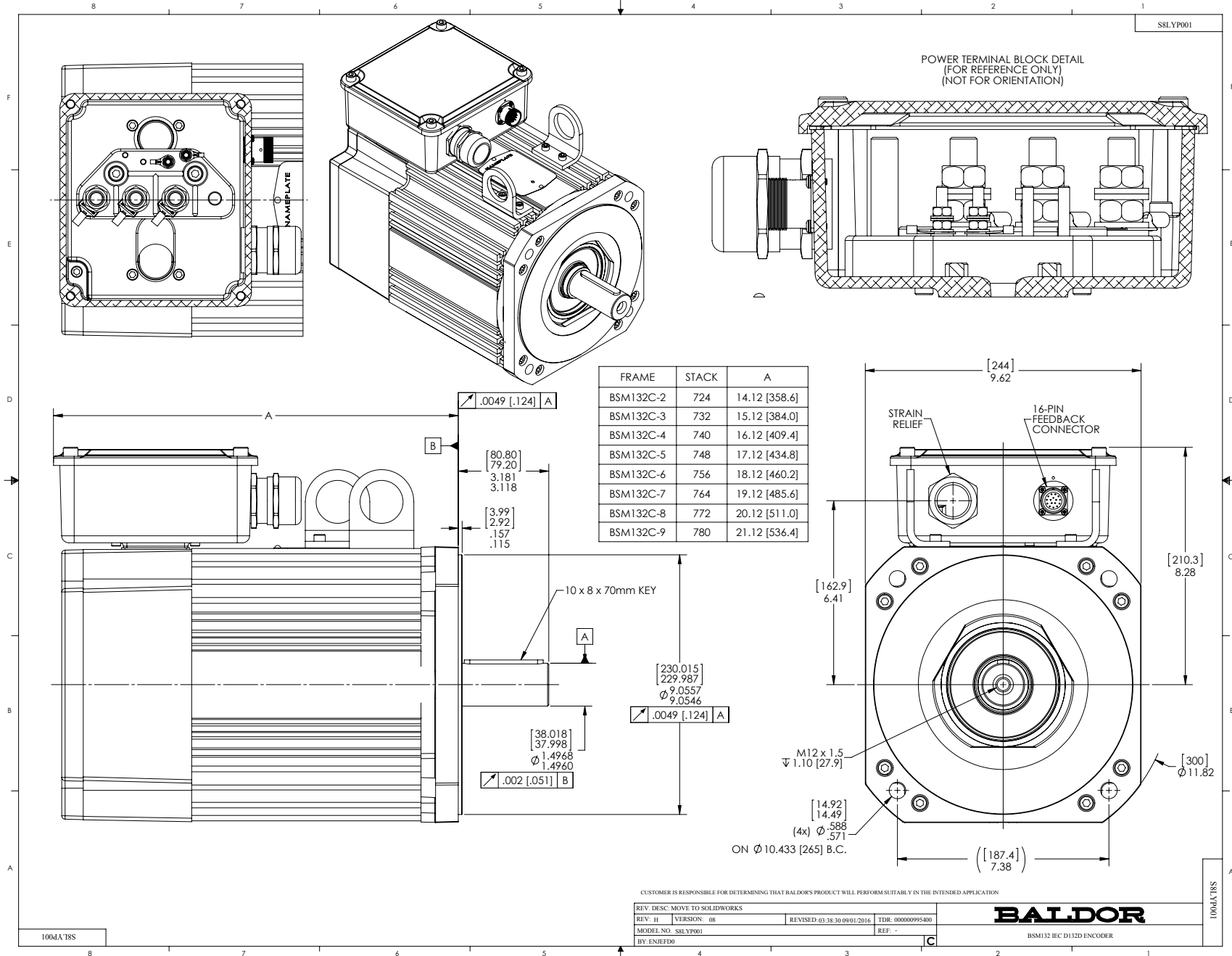
Parts List		
Part Number	Description	Quantity
RA186806	RA S8P001W019	1.000 EA
S8SA0001A56A05	BSM132 STATOR ASSEMBLY (56 STACK)	1.000 EA
S8HA0001	LIFTING LUG, S8 SERVO, USE WITH T-NUTS	2.000 EA
LB1115N	LABEL,LIFTING DEVICE (ON ROLLS)	1.000 EA
YZ4060A07	NUT, T-SLOT, M6 X 8, ITBONA #80010	4.000 EA
84YN0060J020	6MMX20MM SOCKET HEAD CAP SCREW	4.000 EA
HW1021A06	WASHER DIAMETER = M6, SPRING STEEL,	4.000 EA
WD1477A00	CONNECTOR, ENCODER, 16 PIN, SOLDER	1.000 EA
62YW0025A007	EPOXY LOCK SCREW,M2.5X7 TORX PAN HD TAPT	4.000 EA
HW5100A08	W3118-035 WVY WSHR (WB)	1.000 EA
HW2511B112	10MM X 8MM X 70MM LONG METRIC KEY W/RO	1.000 EA
HW5002A105	N5002-393 BEVELED RET RING, 100MM BORE	1.000 EA
S8EP2000A01	FREP 6307 BRG BSM132, ENCODER	1.000 EA
84YN0080J055	M8 X 1.25 X 55MM LG SHCS	4.000 EA
HW1021A08	WASHER DIAMETER = M8, SPRING STEEL,	4.000 EA
RM1020A72	O-RING, -175 BUNA-N, .103 CS X 8.987 ID	1.000 EA
84YN0030JE006	SHCS 3MM X 6MM CARBON STEEL W/EPOXY LOCK	2.000 EA
HW1020A03	WASHER, FLAT 3MM	2.000 EA
HW1021A03	WASHER, M3 SPLIT LOCK	2.000 EA
S8CB0001A01	FEEDBACK COVER BSM132	1.000 EA
84YN0080J020	M8 SOCKET HEAD CAP SCREW 20MM LONG.	4.000 EA
77CB2500A01	CONDUIT BOX LID MACH FOR 77 FRAME SERVO	1.000 EA
77GS1500	GASKET, CONDUIT BOX LID FOR SERVO MTR	1.000 EA
HW1021A08	WASHER DIAMETER = M8, SPRING STEEL,	4.000 EA

Parts List (continued)		
Part Number	Description	Quantity
RM1020A72	O-RING, -175 BUNA-N, .103 CS X 8.987 ID	1.000 EA
84YN0060J020	6MMX20MM SOCKET HEAD CAP SCREW	4.000 EA
HW1021A06	WASHER DIAMETER = M6, SPRING STEEL,	4.000 EA
77GS1001A01	GASKET, CONDUIT BOX, BSM265, CS-301	1.000 EA
84YN0060J014	6MMX14MM SOCKET HEAD CAP SCREW	1.000 EA
HW1021A06	WASHER DIAMETER = M6, SPRING STEEL,	1.000 EA
WD1327A02A01	TRBK, GEISS #KB-1205-S-A (MACHINED)	1.000 EA
84YN0080J020	M8 SOCKET HEAD CAP SCREW 20MM LONG.	2.000 EA
84YN0080J020	M8 SOCKET HEAD CAP SCREW 20MM LONG.	4.000 EA
HW1021A08	WASHER DIAMETER = M8, SPRING STEEL,	4.000 EA
85XU0407S04	4X1/4 U DRIVE PIN STAINLESS	2.000 EA
OE0285A03	ENCODER, DANAHER 2500L 8 POLE 8MM I.D.	1.000 EA
77CB2000A22	KOBX W/FEEDBACK CONN & M40 TAP	1.000 EA
XY0120B01	12MM HEX NUT, BRASS	6.000 EA
HW1000B120	WASHER, 12MM, FLAT, BRASS	12.000 EA
XY0050B01	5MM HEX NUT, BRASS	4.000 EA
HW1000B050	WASHER, 5MM, FLAT, BRASS	8.000 EA
WD1000D13	TERMINAL, NON-INS RING, 22-18 GA, .25 S	2.000 EA
MCS-40	METAL LIQUID TIGHT STRAIN RELIEF, M40, .70	1.000 EA
WD1000C22	T&B D75, RING TERM, 8 AWG, 1/2" STUD	3.000 EA
MG1025L02	WILKOFASST, 776.06 TEXTURE (BSM) BLACK	0.006 QT
MG1025Z09	CATALYST #060.06 WILCO	0.006 QT
MG1500Y08	PRIMER-WILKOPON (603.08A) YELLOW PRIMER W	0.006 QT
MG1025Z08	WILKO 603.08B PRIMER REDUCER TDR# 72361	0.006 QT

Product Information Packet: BSM132C-6200AF - BSM132C-6200AF T'STAT, ENCODER

LB1119N	WARNING LABEL	1.000 EA
NP3306L	ALUM NAMEPLATE IEC BLDC SERVOMOTORS -	1.000 EA
07PA1005	PKG GRP, PRINT PK1156A06	1.000 EA
LB1417	LABEL CARTON 6X4 PERFORATED BLANK ROLLS	1.000 EA
LB1534	MYLAR CE WARNING LABEL FOR SERVO MOTORS	1.000 EA
LB1594	MYLAR WEEE WHEELIE BIN SYMBOL FOR CE MOT	1.000 EA

No performance data has been  
assigned to this product.



CUSTOMER IS RESPONSIBLE FOR DETERMINING THAT BALDOR'S PRODUCT WILL PERFORM SUITABLY IN THE INTENDED APPLICATION

REV. DESC: MOVE TO SOLIDWORKS	REVISED: 03/28/2016	TDR: 00000995400
REV: II   VERSION: 08	REF: -	
MODEL NO. SLYP001		
BY: ENJEFD0		

**BALDOR**

BSM132 IEC D132D ENCODER

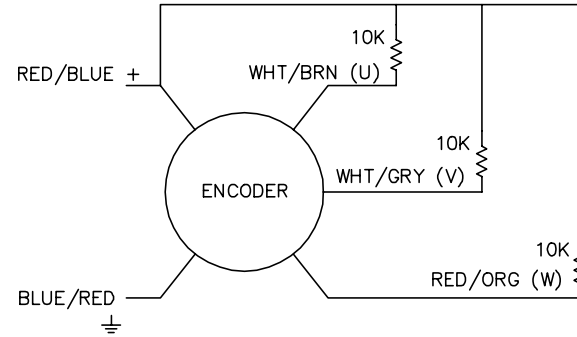
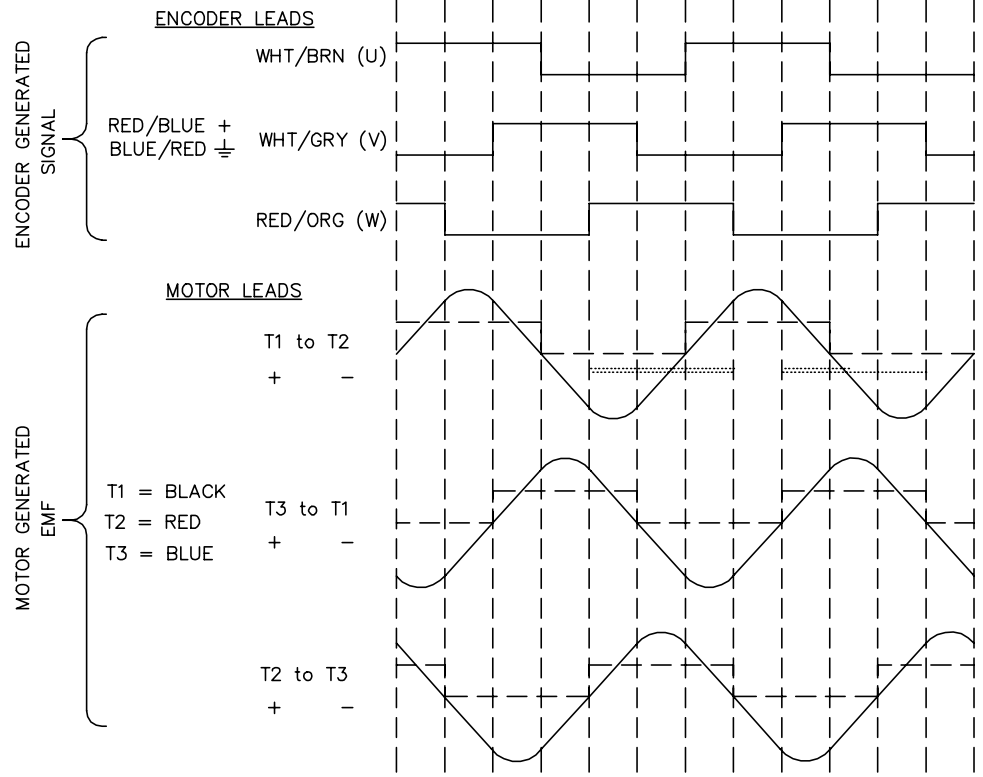
1004A18S

1004A18S

CD1338A06

BRUSHLESS D.C. COMMUTATION

8 POLE MECHANICAL DEGREES	0	15	30	45	60	75	90	105	120	135	150	165	180
4 POLE MECHANICAL DEGREES	0	30	60	90	120	150	180	210	240	270	300	330	360
ELECTRICAL DEGREES	0	60	120	180	240	300	360	420	480	540	600	660	720



NOTE:  
CCW ROTATION VIEWING  
MOTOR SHAFT END

REV. DESC: UPDATED ENCODER COLORS TO CURRENT STANDARD		
REV. LTR: A	VERSION: 01	TDR: 000000437502
CD1338A06	FILE: \AAA\00129\958	REVISED: 10:22:27 08/09/2007
	MTL: -	BY: ENJFDO

**Baldor • Dodge • Reliance**

BLDC COMMUTATION DYNAPAR F14 (CHNNLS MATCH TMGW SUMTAK KOYO)

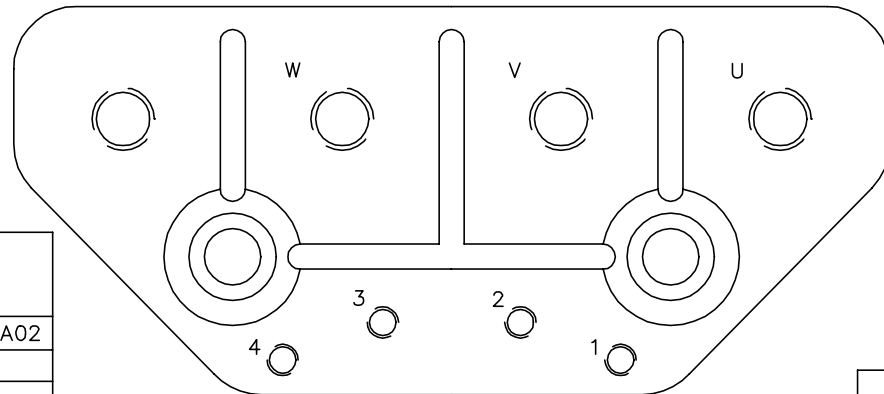
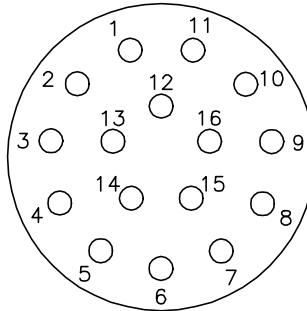
CD1338A06



CD2008A01

PIN	FUNCTION	WIRE COLOR
1	DC+5V	RED/BLUE
2	GROUND	BLUE/RED
3	CHANNEL A	BLUE
4	CHANNEL $\bar{A}$	ORANGE
5	CHANNEL B	GREEN
6	CHANNEL $\bar{B}$	BROWN
7	CHANNEL Z	BLACK
8	CHANNEL $\bar{Z}$	YELLOW
9	OPEN	---
10	CHANNEL U	WHITE/BROWN
11	CHANNEL $\bar{U}$	BROWN/WHITE
12	CHANNEL V	WHITE/GRAY
13	CHANNEL $\bar{V}$	GRAY/WHITE
14	CHANNEL W	RED/ORANGE
15	CHANNEL $\bar{W}$	ORANGE/RED
16	OPEN	---

16 PIN THREADED CONNECTOR  
(INSERTION SIDE)



MOTOR CONNECTIONS

TERMINAL LABEL	FUNCTION	INTERNAL WIRE MARKING		
		CD0006	or	CD0006A02
1	THERMAL SWITCH		YELLOW	
2	THERMAL SWITCH		YELLOW	
3	BRAKE (OPTIONAL)		BLACK	
4	BRAKE (OPTIONAL)		BLACK	
$\perp$	GROUND		-	
U	PHASE U	(T1) BLUE	or	(T1) BLACK
V	PHASE V	(T2) WHITE		(T2) RED
W	PHASE W	(T3) ORANGE		(T3) BLUE



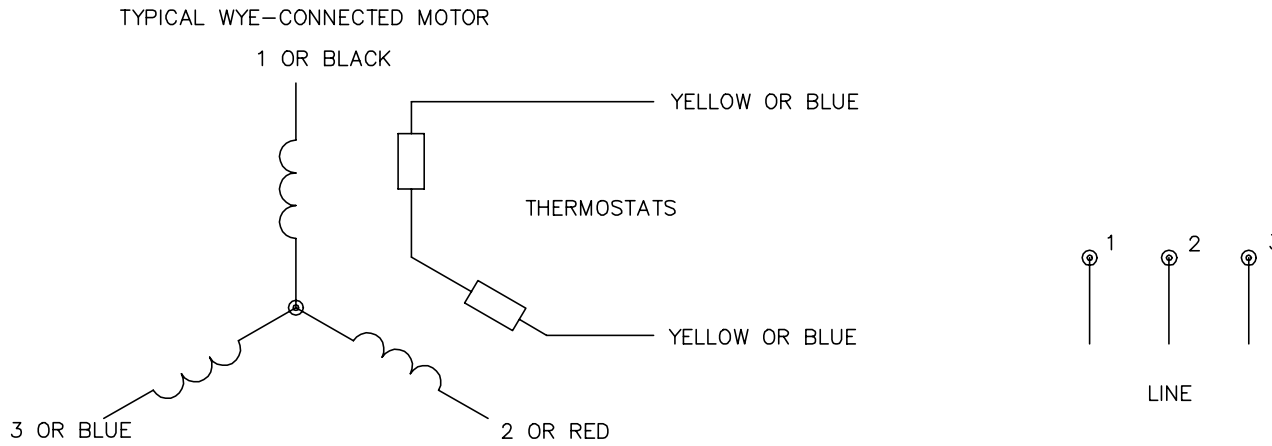
CD2008A01

REV. DESC: ADD COLORS TO MOTOR PHASES		
REV. LTR: B	VERSION: 02	TDR: 000000802466
FILE: \AAA\00144\962	REVISED: 09:53:48 06/04/2013	BY: ENJFDO
MTL: -		

**BALDOR**

CONN DIAG BSM132, DANAHER ENCODER, WD1327A02 TERM BLOCK, 16P  
SH 1 of 1

CD0006A02



NOTES:

1. INTERCHANGE ANY TWO LINE LEADS TO REVERSE ROTATION.
2. ACTUAL NUMBER OF INTERNAL PARALLEL CIRCUITS MAY VARY.

REV. DESC: REMOVED "OPTIONAL" FROM PRINT, SERVO REQ'S T'STATS			
REV. LTR: D	VERSION: 03	TDR: 000000414937	
Z0V9000003 CD0006A02	FILE: \AAA\00068\606	REVISED: 10:02:28 11/21/2006	
	MTL: -	BY: ENJFD0	

**BALDOR ELECTRIC Co.**

3PH, SV, 3 LEADS, WYE CONNECTED

CD0006A02