

BALDOR® • RELIANCE

Product Information Packet

BSM63N-133AF

BSM63N-133AF T'STAT ENCODER

Specs			
Enclosure:	TENV		
Nameplate Speed:	6000		
Agency Approvals:	CE		
	CSA		
	TUV		
	UR		
	WEEE		
Base Indicator:	Bracket Mounted		
Dimensional Drawing Numbers:	S1LYP131		
Frame:	D75D		

Copyright © All product informati

Motor Lead Quantity/Wire Size:	3 @ 18 AWG		
Mounting Arrangement:	F1		
Nameplate Output:	0.45KW		
Shaft Rotation:	Reversible		
Motor Standards:	IEC		

Nameplate NP2859L	
CAT.NO.	BSM63N-133AF
BLANK	
SPEC.	S1P131W036G1
MFG.NO.	
TORQ CONT STALL	0.77 NM
CUR CONT STALL/A RMS	2.01
POWER	0.45KW
RATED SPEED/RPM	6000
RATED BUS VOLTS	200
PEAK CUR/A RMS	7.24
MAX MECH SPEED	10000
CLASS	F
APRV-CE	
AMB.	25

Parts List		
Part Number	Description	Quantity
SA102703	SA S1P131W036G1	1.000 EA
RA094666	RA S1P131W036G1	1.000 EA
WD1000A33	62307-2 AMP TERM,30K/REELREPLACING A19)3	4.000 EA
RM1020A18	O-RING, -034 BUNA-N, .070 CS X 2.125 ID	1.000 EA
84YN0030JE006	SHCS 3MM X 6MM CARBON STEEL W/EPOXY LOCK	2.000 EA
HW1021A03	WASHER, M3 SPLIT LOCK	2.000 EA
HW1020A03	WASHER, FLAT 3MM	2.000 EA
HW5001A44	WALDES TRUARC #N5001-112 RET.RING	1.000 EA
HW2512C01	SHAFT KEY CL 4MM X 4MM X 12MM	1.000 EA
HA7000A09	KEY RETAINER 0.438 DIA SHAFT	1.000 EA
HW5109A00	WASHER, WAVE SPRING FOR 26MM BORE SPL SM	2.000 EA
S1EP3913A07	ENDPLATE, FR BRG, BSM63, ENCODER	1.000 EA
HW1027A04	METRIC EXTERNAL TOOTH LOCK WASHER M4	4.000 EA
RM1020A18	O-RING, -034 BUNA-N, .070 CS X 2.125 ID	1.000 EA
62YW0025A007	EPOXY LOCK SCREW,M2.5X7 TORX PAN HD TAPT	1.000 EA
84YN0030J014	SCREW, M3 X 14MM SOCKET HEAD CAP	4.000 EA
S1CB3000A02	90 DEG ADAPTOR, METRIC CONNECTORS F/BSM	1.000 EA
S1GS1000	GASKET, 90 DEG ADAPTOR F/BSM MTRS	1.000 EA
GS1000A25	GASKET, METRIC CONNECTOR(CLOTH INSERTED	2.000 EA
MH4006A07A	HEAT SHRINK TUBING 0.12ID X .50 LG BLACK	14.000 EA
99XM0356A02	STICK SCREW, #3-56 X .125 LG. HEX (MARK	2.000 EA
MJ5004A02	P-2 FRANKLIN RESIN KIT	0.001 GA
MJ5004A03	S-C FRANKLIN ACTIVATOR	0.001 QT
MJ5004A27	RP 4005 RESIN, FOR ROTOR FIBERGLASS WIND	0.001 EA

Parts List (continued)		
Part Number	Description	Quantity
MJ5004A28	REN 1500H HARDENER, FOR ROTOR FIBERGLASS	0.001 GA
ME3001A02	449S2 FIBERGLASS 20 END ROVING AA-750	0.005 LB
MG2000A17	RUST INHIBITOR PART # SRPO #20	0.001 GA
BG6001C03	6001 D.SH,C3,POLYREX EM	1.000 EA
HA3117A04	THRUBOLT M4 X 75MM	4.000 EA
LD2200A08	CUT LEAD GREEN&YELLOW #18 8 INCH W/ RIN	1.000 EA
S1CB3503A10	COVER, FEEDBACK, BSM63, NO LOGO, GRAY	1.000 EA
WD5009A15	KIT-M23 MOTOR POWER CONN, 8-PIN	1.000 EA
62YW0025A007	EPOXY LOCK SCREW,M2.5X7 TORX PAN HD TAPT	12.000 EA
MG1025L02	WILKOFAS, 776.06 TEXTURE (BSM) BLACK	0.001 QT
MG1025Z09	CATALYST #060.06 WILCO	0.001 QT
MG1500Y08	PRIMER-WILKOPON (603.08A)YELLOW PRIMER W	0.001 QT
MG1025Z08	WILKO 603.08B PRIMER REDUCER TDR# 72361	0.001 QT
OE0323A02	ENCODER, EPC, 2500L,4 POLE, 40MM BC, CE	1.000 EA
LD6229A01	CABLE ASSY, FOR EPC ENCODERS	1.000 EA
NP2859L	NAMEPLATE BSM50/63 ALUM, LASER ETCHED	1.000 EA
25PA1008	PKG GRP, BSM 50, 63, & 80	1.000 EA
LB1534	MYLAR CE WARNING LABEL FOR SERVO MOTORS	1.000 EA
LB1417	LABEL CARTON 6X4 PERFORATED BLANK ROLLS	1.000 EA
LB1594	MYLAR WEEE WHEELIE BIN SYMBOL FOR CE MOT	1.000 EA

No performance data has been
assigned to this product.

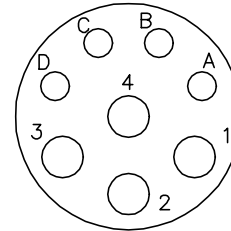
CD1297A04

MOTOR CONNECTIONS

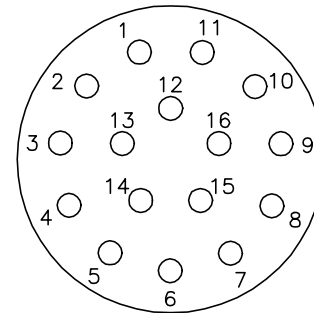
PIN	FUNCTION	INTERNAL WIRE COLOR
A	*THERMAL SWITCH	YELLOW
B	*THERMAL SWITCH	YELLOW
C	*BRAKE	BLACK
D	*BRAKE	BLACK
1	U	BLACK
2	GROUND	GREEN
3	W	BLUE
4	V	RED

*WHEN REQUIRED

PIN	FUNCTION	WIRE COLOR
1	DC+5V	RED/BLUE
2	GROUND	BLUE/RED
3	CHANNEL A	BLUE
4	CHANNEL \bar{A}	ORANGE
5	CHANNEL B	GREEN
6	CHANNEL \bar{B}	BROWN
7	CHANNEL Z	BLACK
8	CHANNEL \bar{Z}	YELLOW
9	OPEN	---
10	CHANNEL U	WHITE/BROWN
11	CHANNEL \bar{U}	BROWN/WHITE
12	CHANNEL V	WHITE/GRAY
13	CHANNEL \bar{V}	GRAY/WHITE
14	CHANNEL W	RED/ORANGE
15	CHANNEL \bar{W}	ORANGE/RED
16	OPEN	---



8 PIN MOTOR CONNECTOR
THREADED CRIMP PIN STYLE



16 PIN CONNECTOR
THREADED CRIMP PIN STYLE

16- #20 CONTACT SIZE
(CRIMP SIDE)

CD1297A04

REV. DESC: NEW			
REV. LTR: -	BY: FN	REVISED: 13:58:58 03/24/2004	TDR: 328266
CD1297A04		FILE: AAA00115154	REF: CD1297A04
		MTL: -	

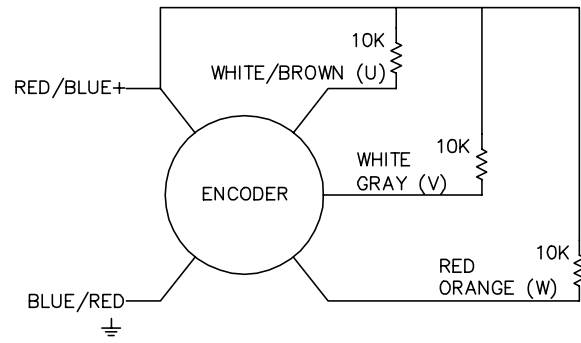
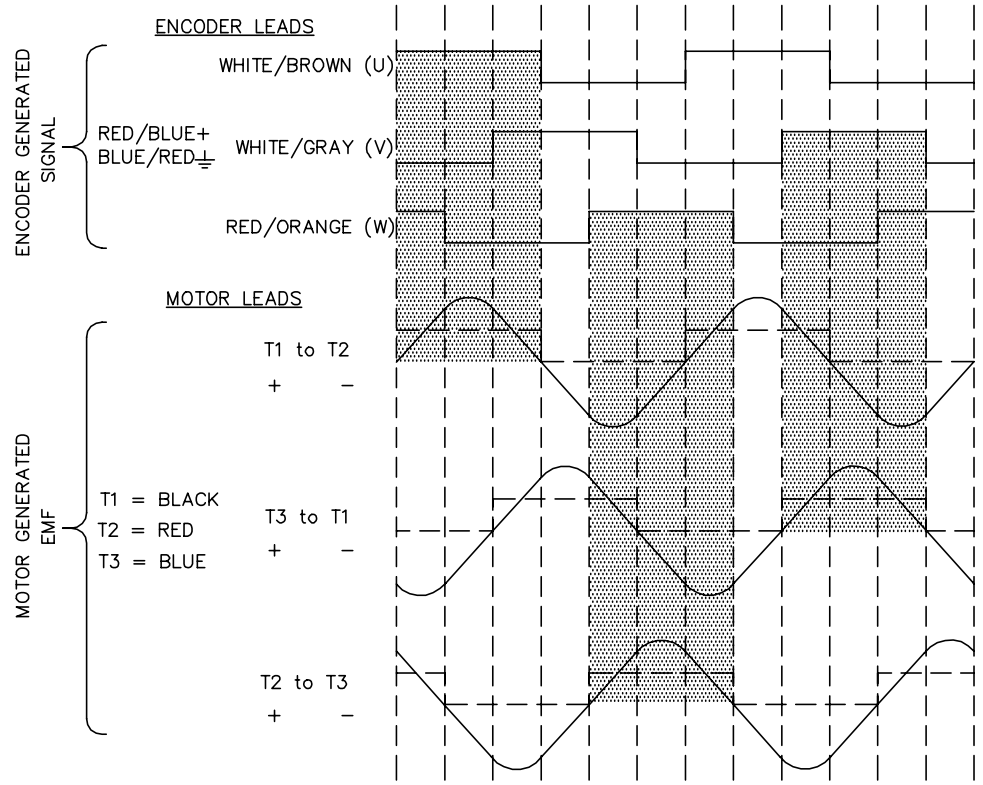
BALDOR ELECTRIC Co.

KOYO ENCODER (CHANNELS TO MATCH TMGW/SUMTAK OUTPUT)

CD1338A01

BRUSHLESS D.C. COMMUTATION

8 POLE MECHANICAL DEGREES	0	15	30	45	60	75	90	105	120	135	150	165	180
4 POLE MECHANICAL DEGREES	0	30	60	90	120	150	180	210	240	270	300	330	360
ELECTRICAL DEGREES	0	60	120	180	240	300	360	420	480	540	600	660	720



NOTE:
CCW ROTATION VIEWING
MOTOR SHAFT END

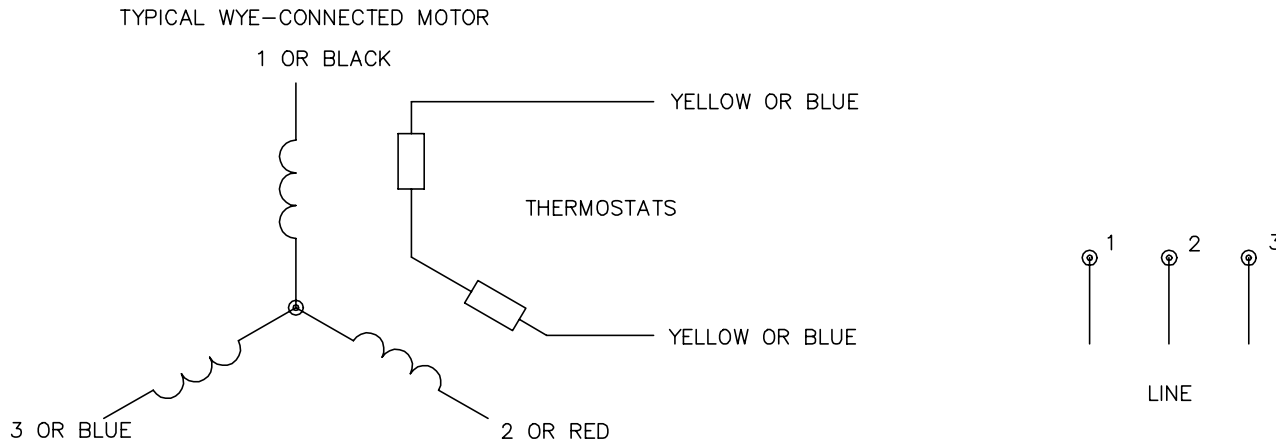
REV. DESC: NEW		REVISED: 11:22:25 03/24/2004		TDR: 328266
REV. LTR: -	BY: FN	FILE: AAA00115153	REF: CD1338A01	
CD1338A01		MTL: -		

BALDOR ELECTRIC Co.

BLDC COMMUTATION KOYO ENC.(CHANNELS TO MATCH TMGW/SUMTAK)

CD1338A01

CD0006A02



NOTES:

1. INTERCHANGE ANY TWO LINE LEADS TO REVERSE ROTATION.
2. ACTUAL NUMBER OF INTERNAL PARALLEL CIRCUITS MAY VARY.

REV. DESC: REMOVED "OPTIONAL" FROM PRINT, SERVO REQ'S T'STATS			
REV. LTR: D	VERSION: 03	TDR: 000000414937	
Z0V9000003 CD0006A02	FILE: \AAA\00068\606	REVISED: 10:02:28 11/21/2006	
	MTL: -	BY: ENJFDO	

BALDOR ELECTRIC Co.

3PH, SV, 3 LEADS, WYE CONNECTED

CD0006A02